

THE
BARRETO
MODELS 1324 & 1624 & 1824
HYDRAULIC TRENCHERS

CONGRATULATIONS!

You are now the proud owner of a BARRETO trencher. Please take a moment of your time to look over the following information. Familiarize yourself with the trencher, its characteristics, and method of operation. Pay particular attention to the safety and operating instructions.

If you have any questions or need any replacement parts in the future, please contact us at your convenience. Our toll-free phone number, fax and email are listed below.

THANK YOU for your patronage and confidence in BARRETO equipment.

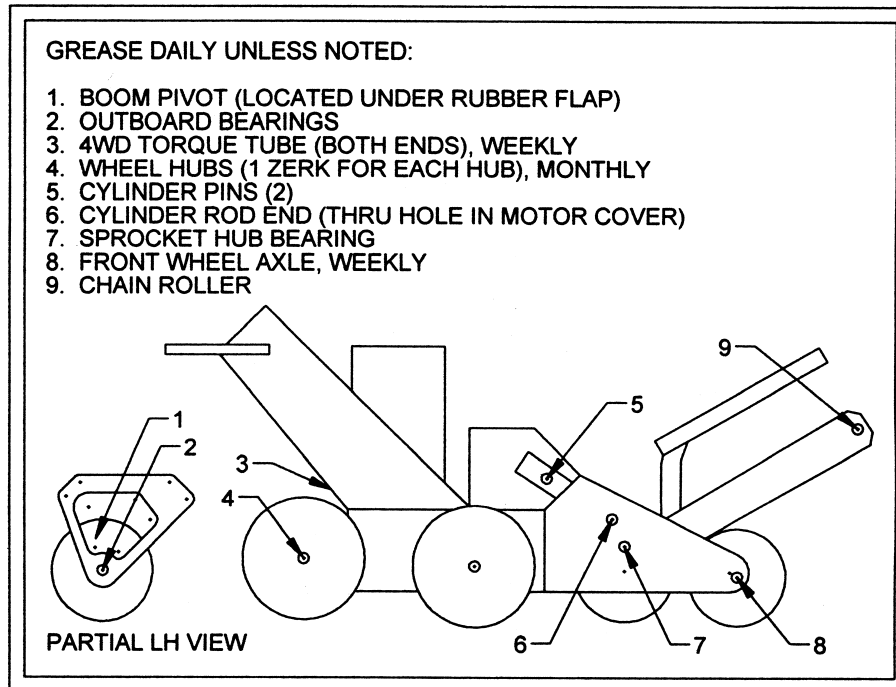
Barreto Manufacturing, Inc.
Innovative Equipment Engineered to Last
66498 Hwy 203, La Grande, OR 97850
(800) 525-7348 (541) 963-7348
FAX (541) 963-6755
E-Mail: info@barretomfg.com
Web Site: <http://www.barretomfg.com>

ASSEMBLY INSTRUCTIONS

1. Remove trencher from shipping crate.
2. Install boom onto boom pivot/mount with the 7/8" wide wear strip on bottom side of boom. Push boom on as far as it will go. Be sure adjuster screw is backed out.

SERVICE INFORMATION

1. Check reservoir level using sight glass on the left side of the tank. If required, add to reservoir with tractor transmission hydraulic oil. (Shell DONAX TD FLUID or comparable). The tank holds approximately 15 gallons of hydraulic oil. Recheck oil level after the trencher has been run and oil has been circulated through the wheel and chain motors. Routinely check level thereafter. **DO NOT OVERFILL THE TANK.**
2. Change hydraulic oil filter after the first 50 hours of use. Change it every 200 hours thereafter.
3. Add 1 quart of hydraulic oil to reservoir with each filter change.
4. Check all hydraulic fittings for leaks and tighten if necessary.
5. Grease per the following chart:

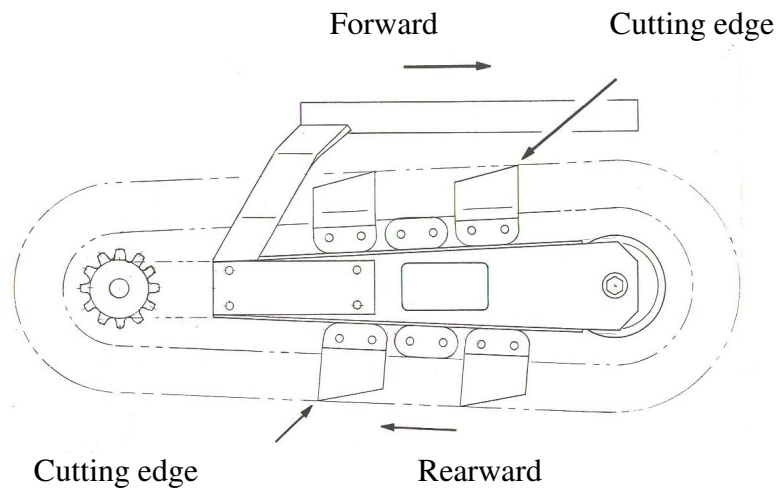


IMPORTANT: The engine is normally serviced prior to shipping. However, shipping regulations may prohibit this. Check levels and add oil and fuel as required before starting. Service according to the engine manual before starting.

WARNING: Running the engine without hydraulic oil will cause serious damage to the hydraulic pump. **CHECK RESERVOIR LEVEL BEFORE STARTING THE MACHINE.**

DIGGING CHAIN INSTALLATION

1. Slide digging chain under sprocket, with teeth in the correct cutting direction. Properly installed, the cutting edges of the chain will face forward on the top of the boom and rearward on the bottom of the boom (see diagram below).
2. Start engine. Push digging boom control lever forward to lower boom onto the chain. Shut off engine.
3. Wrap chain around boom and sprocket. Install chain master link or link pin.
4. Use boom adjuster screw to tighten chain. Chain should have enough slack to allow approximately 2" of space between middle of boom and chain when boom and chain are straight out in a horizontal position.
5. Tighten adjuster screw locknut and 4 boom mounting bolts.



BARRETO TRENCHER OPERATING INSTRUCTIONS

READ SAFETY INSTRUCTIONS BEFORE OPERATING!

Be sure that the engine oil, fuel and hydraulic oil are at proper levels before starting the engine.

STUDY AND UNDERSTAND CONTROLS BEFORE BEGINNING OPERATION.

1. **IGNITION:** Must be in “ON” position to start. “OFF” to stop.
2. **ENGINE:** This is the throttle. It controls engine speed. Operate at full throttle (all the way forward).
3. **CLUTCH LEVER:** (At left handle grip). Activates GROUND SPEED and DIGGING CHAIN controls when pulled up. Stops all motion when released. DIGGING CHAIN control must be HELD in “ON” position as clutch lever is depressed in order to start chain in motion.
4. **AXLE:** “UNLOCK” position (down) is for maneuvering. “LOCK” position (up) is for digging. UNLOCK allows left wheel to freewheel while right wheel drives.
5. **DIGGING BOOM:** Raises and lowers the digging boom.
6. **DIGGING CHAIN:** Starts chain in forward rotation after clutch lever is engaged.
7. **CHAIN:** Allows manual operation of chain in forward or reverse rotation to dislodge objects or dig difficult terrain. (This control can be used with the Clutch Lever released.) To reverse chain, DIGGING CHAIN control must be in “OFF” position.
8. **GROUND SPEED:** Controls wheel speed forward or reverse after clutch lever is engaged.
9. **GETTING STARTED:** Start and warm up engine. Drive trencher to starting location with AXLE in “UNLOCK” position.
LOCK AXLE. Hold DIGGING CHAIN control in “ON” position. With GROUND SPEED control in neutral, pull up CLUTCH LEVER and slowly lower DIGGING BOOM to desired depth. Slowly move GROUND SPEED control in REVERSE direction until desired speed is reached. (Varying soil conditions may require adjustments to ground speed to avoid wheel spin or engine overload.)
10. **FOR HARD TO DIG AREAS** or if object (rock or root) gets lodged in chain, release CLUTCH LEVER. This will lock wheels in position. Manually reverse chain with the CHAIN control to dislodge object. Manually run chain forward with CHAIN control to dig through roots or rocky areas. Intermittently activate CLUTCH LEVER to move trencher back a few inches and repeat until hard area is passed. Resume normal operation.

ALWAYS THOROUGHLY CLEAN AND SERVICE TRENCHER AFTER EACH USE.

BARRETO HYDRAULIC TRENCHER

SAFETY INSTRUCTIONS

- **READ SAFETY AND OPERATING INSTRUCTIONS BEFORE OPERATING!**
- Do not leave trencher unattended with the engine running.
- No parking brake. Always leave trencher parked on a level surface.
- The **SAFETY CLUTCH** lever on the left handlebar is for operator protection. **DO NOT TAPE DOWN OR OTHERWISE BY-PASS THIS CLUTCH.**
- Objects may become airborne while operating trencher. Wear safety goggles and hard hat while operating or observing!
- Digging chain, auger and other moving parts can cut off arms, legs, or fingers. **STAY CLEAR!**
- Buried cables or gas lines can cause serious injury or death. Contact local agencies for location.
- Exhaust and fuel fumes can cause illness or death. Operate outdoors and avoid breathing exhaust and fumes.
- Fuel fumes can catch fire or explode. Do not smoke or operate near flames or sparks.
- Hydraulic oil is under extreme pressure and can get under skin and burn or poison. Check for leaks with cardboard.
- Muffler and engine get hot enough to cause serious burns. Do not touch until cool.

BARRETO MANUFACTURING, INC.

EQUIPMENT WARRANTY

Barreto Manufacturing, Inc. warrants all BARRETO equipment to free of defects in material and workmanship for a period of one (1) year, dating from the delivery to the original user.

This warranty is in lieu of all other warranties, whether written or implied, and is limited to:

1. Replacement of parts returned to the dealer and/or factory and determined defective upon inspection. (Replacement for parts to dealers shall be at dealer cost plus shipping charges.)
2. Time for pick-up and/or delivery, transportation of service calls by dealers is excluded. Manufacturer reserves the right to determine reasonable time required for repair.

Warranty does not apply to damage caused by abuse or neglect. Time and materials required for normal maintenance and service are also excluded from warranty coverage.

Engines, engine accessories and tires are warranted by the original manufactures and are not covered by the Barreto Equipment Warranty.

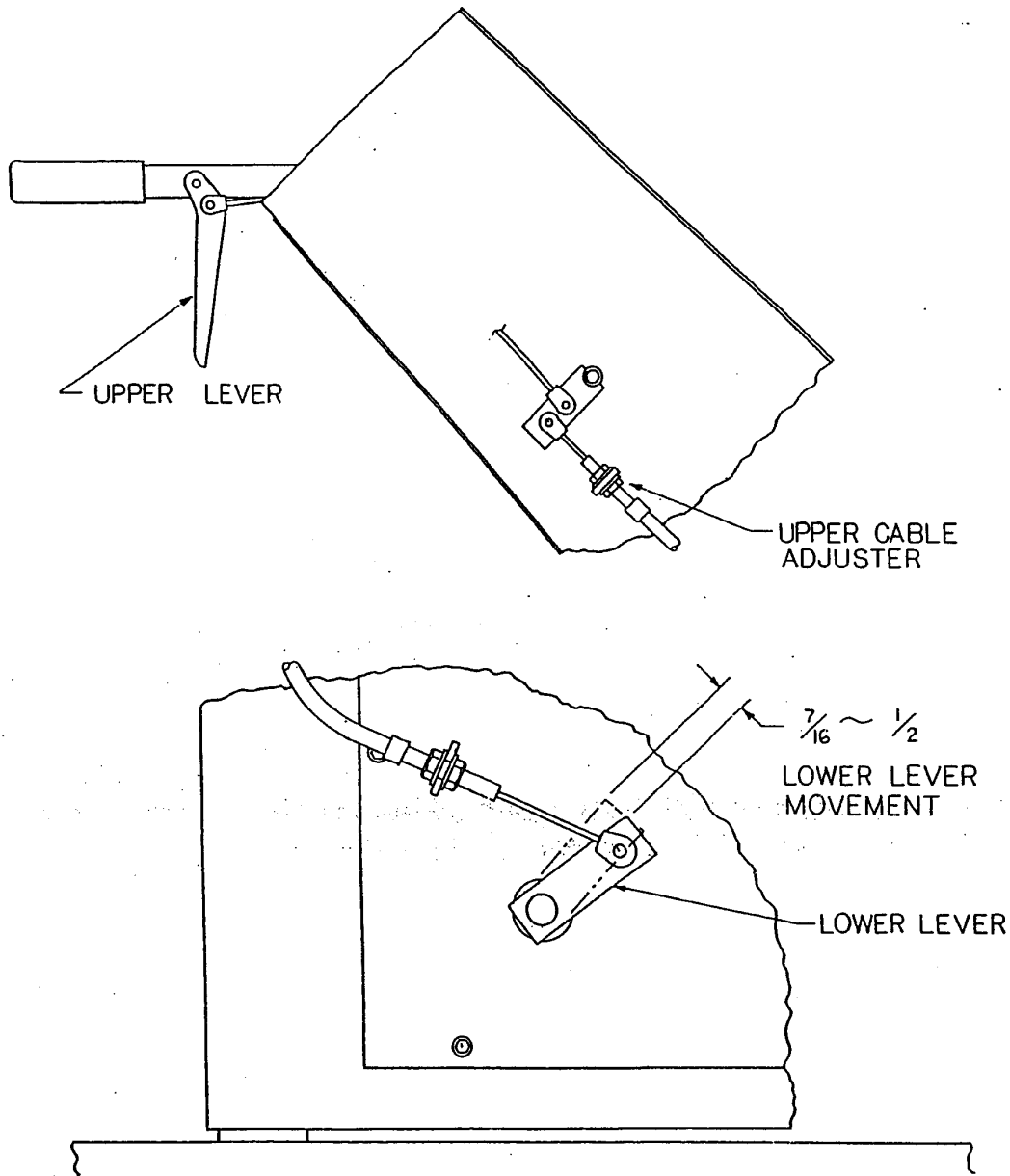
THE
BARRETO
MODELS 1324 & 1624 & 1824
HYDRAULIC TRENCHER

CONTROL ADJUSTMENT INSTRUCTIONS

The following pages contain instructions for:

- WHEEL DRIVE CLUTCH CABLE ADJUSTMENT (Illustration A)
- DIGGING CHAIN VALVE LEVER ADJUSTMENT (Illustration B)
- AXLE LOCK ADJUSTMENT (Illustration C)
- SPEED CABLE ADJUSTMENT (Illustration D)
- SPEED LINKAGE ADJUSTMENT (Illustration E)
- SPEED CONTROL LINKAGE DIG SPEED ADJUSTMENT (Illustration F)

WHEEL DRIVE VALVE CABLE ADJUSTMENT



The clutch cable and lever must have some free play.

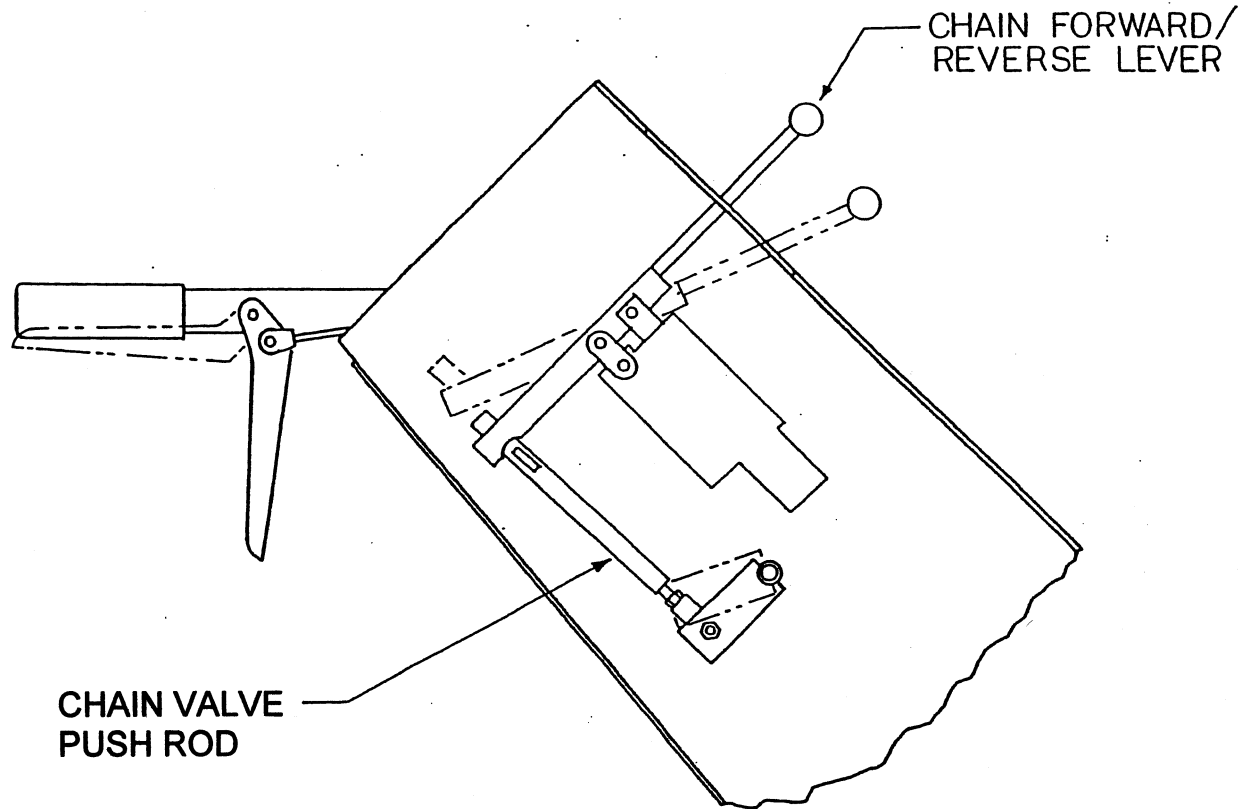
Rotate the lower lever counter-clockwise, by hand, to take up any free play. Measure the location of the pin of the lower lever.

Pull upper lever all the way up until it touches the hand grip. Measure the location of lower lever with the upper lever pulled up. (Measure at the pin.)

Adjust cable to give $\frac{7}{16}$ " to $\frac{1}{2}$ " movement of the lower lever. Do not include any lever free play in the measurement.

Illustration A

DIGGING CHAIN VALVE LEVER ADJUSTMENT



Put Digging Chain lever in ON position.

Pull clutch lever all the way up until it touches the hand grip.

Check the stroke of the CHAIN forward/reverse lever. The length of the chain valve push rod should be adjusted so the forward/reverse lever comes to the end of its stroke just as the clutch lever touches the hand grip.

Illustration B

AXLE LOCK ADJUSTMENT

Cable should be adjusted so there is no slack in cable when upper lock lever is in the unlock position. There should also be no tension on lock spring at lower lever.

Measure the position of the lower lock lever. Measure at the tip of the lever.

Put Axle lock lever in LOCK position.

Push down on handlebars and rotate trencher side-to-side to align the axle gears. The lower lock lever should snap into its lock position.

Measure the position of the lower lock lever.

The movement of the lower lock lever should be $\frac{9}{16}$ " to $\frac{5}{8}$ " from the LOCK position to the UNLOCK position.

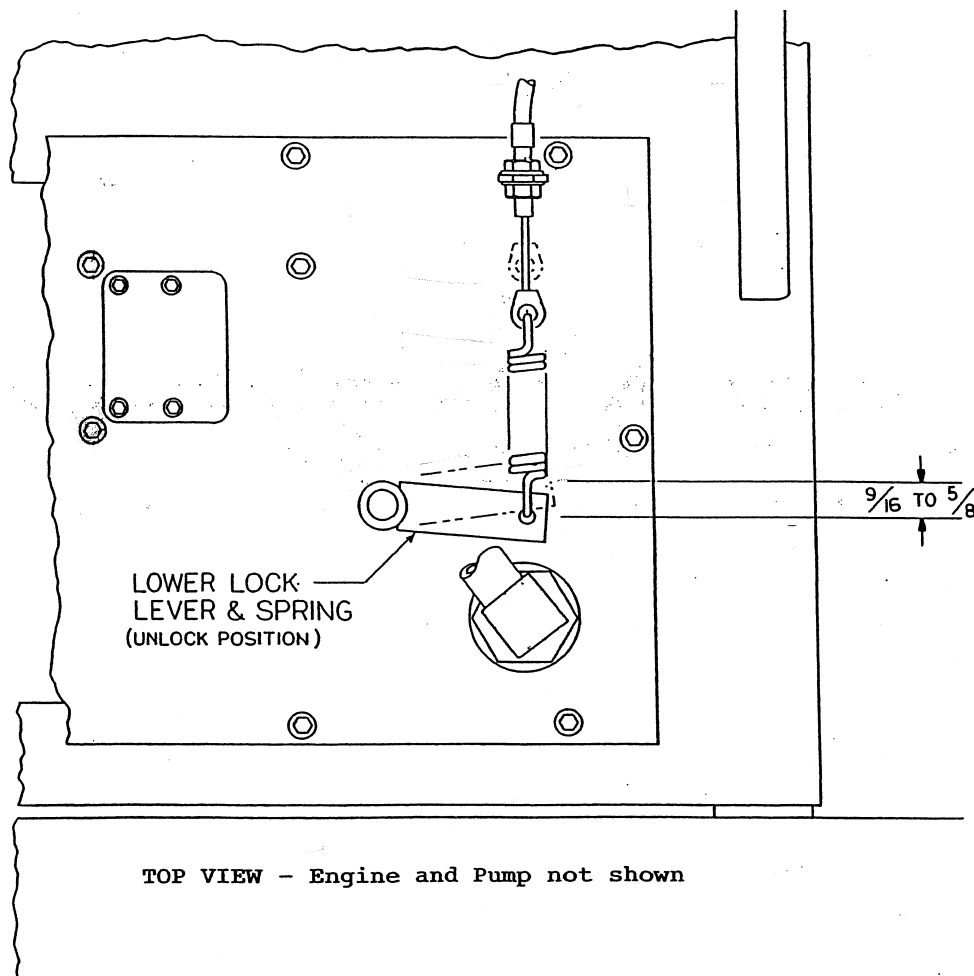
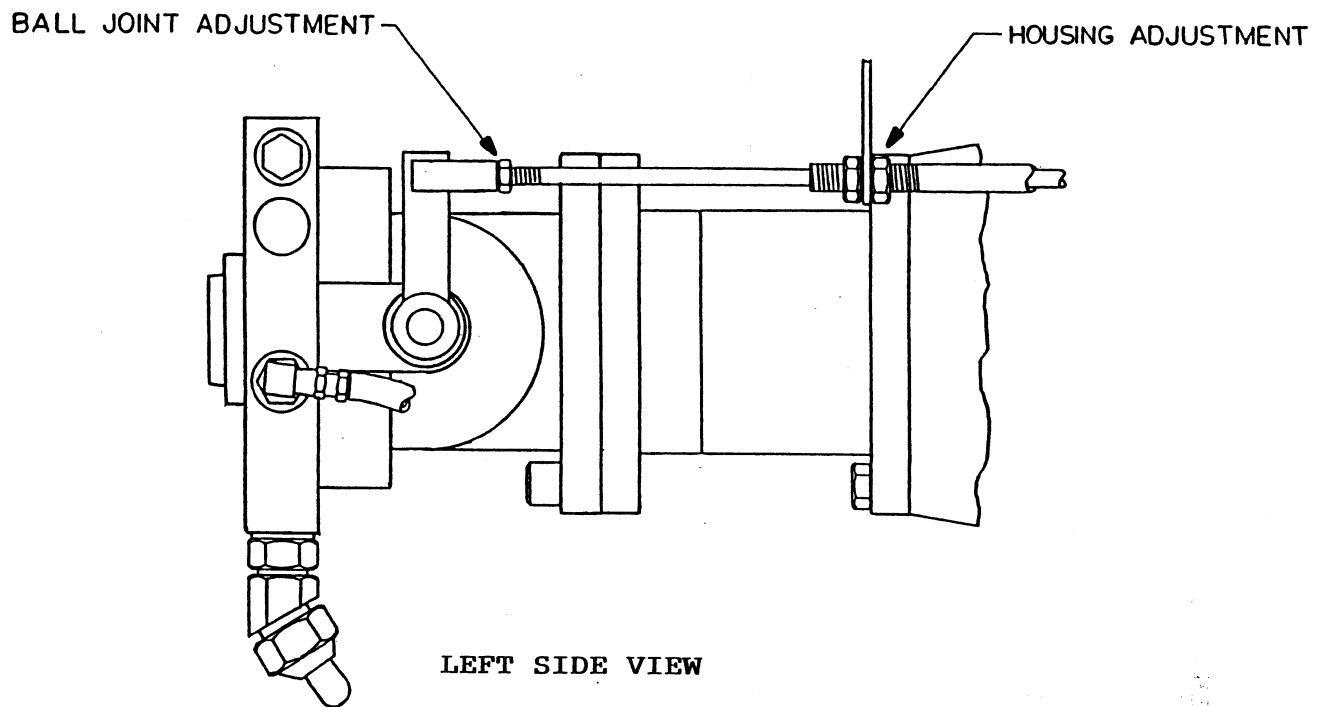


Illustration C

SPEED CABLE ADJUSTMENT



Speed cable should be adjusted so trencher is stationary when clutch lever is pulled up and speed lever is in neutral.

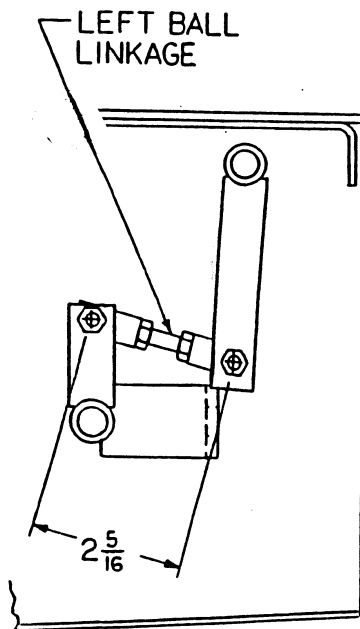
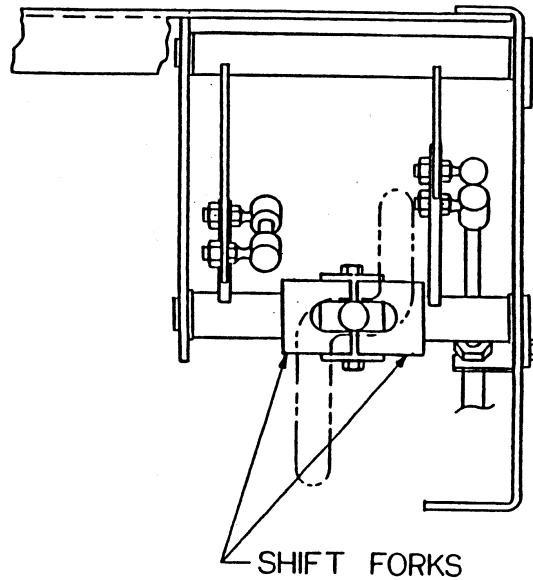
Speed cable should be adjusted if trencher creeps when in neutral.

Loosen locknuts and adjust as needed. Adjustment may be made at both ends of cable housing. Fine adjustments may be made at ball joint end on the hydrostatic pump lever.

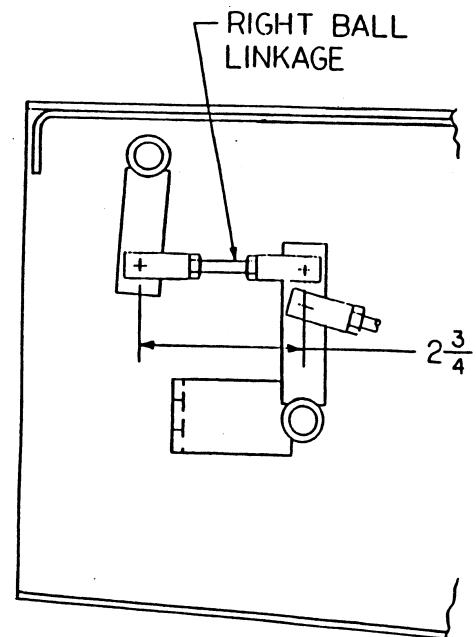
Illustration D

SPEED LINKAGE ADJUSTMENT

TOP VIEW



LEFT SIDE



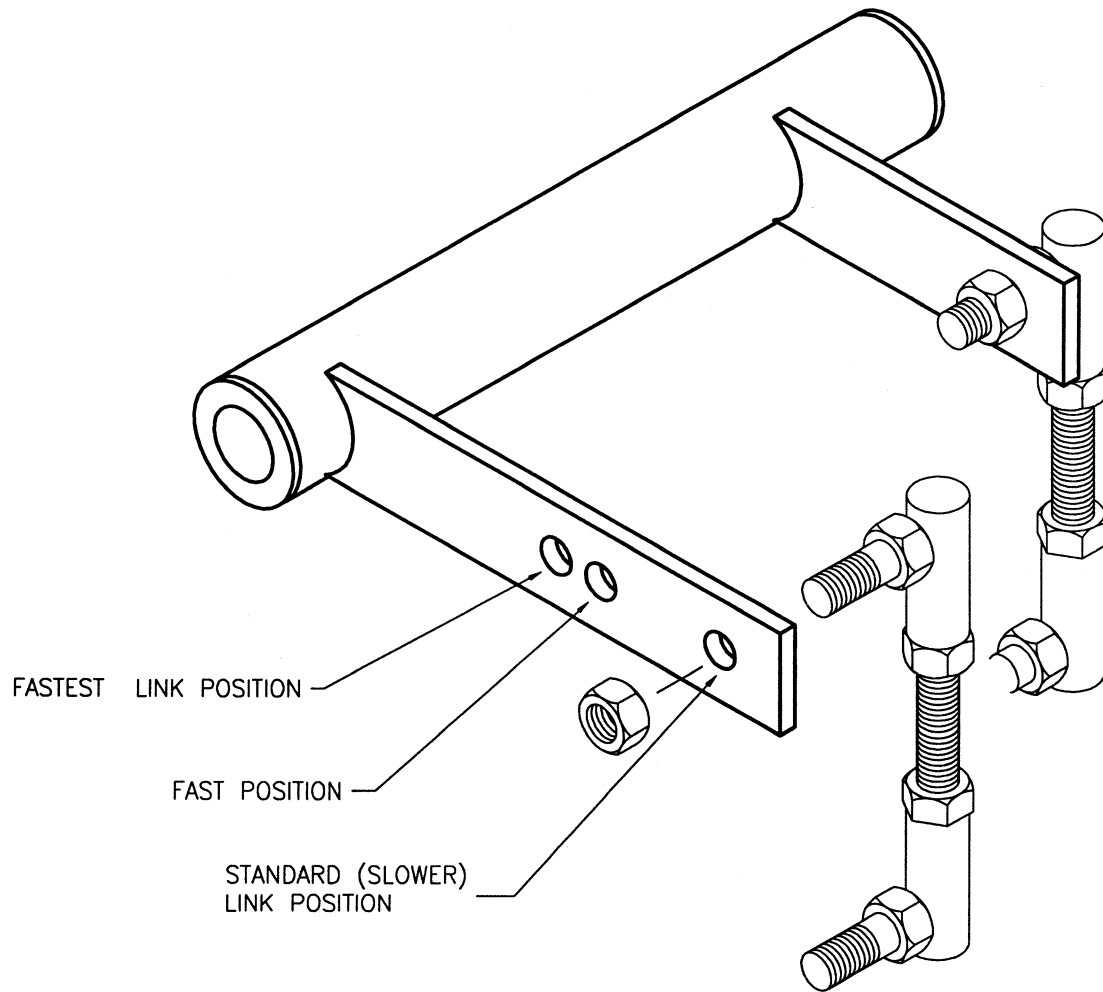
RIGHT SIDE

Proper alignment of the shift forks will allow the ground speed lever to move smoothly from the forward position to neutral; from neutral to reverse; and back to the forward position.

If the ground speed lever does not move left and right freely, the shift forks may be out of alignment. Adjust the length of the left or right ball linkage to bring both shift forks into alignment when the ground speed lever is in the neutral position.

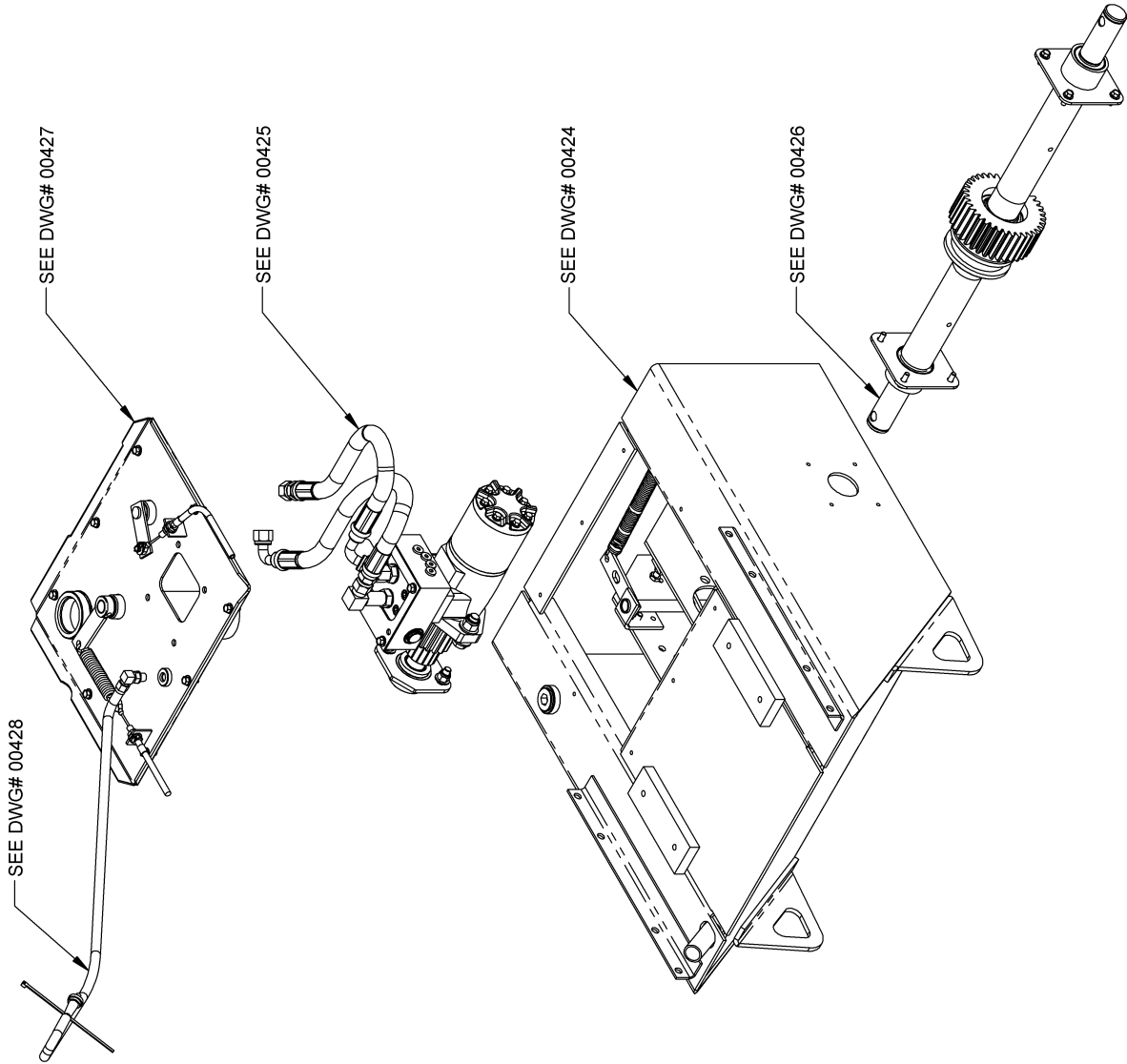
Illustration E

SPEED CONTROL LINKAGE DIG SPEED ADJUSTMENT



When speed adjustment is made, adjustments to ball joint links may be needed to maintain shift fork alignment (see illustration E)

Illustration F



TITLE: LOWER END OVERVIEW

PRODUCT LINE: 1324/1624/1824 DATE: 1/10/08

SCALE: 1:9

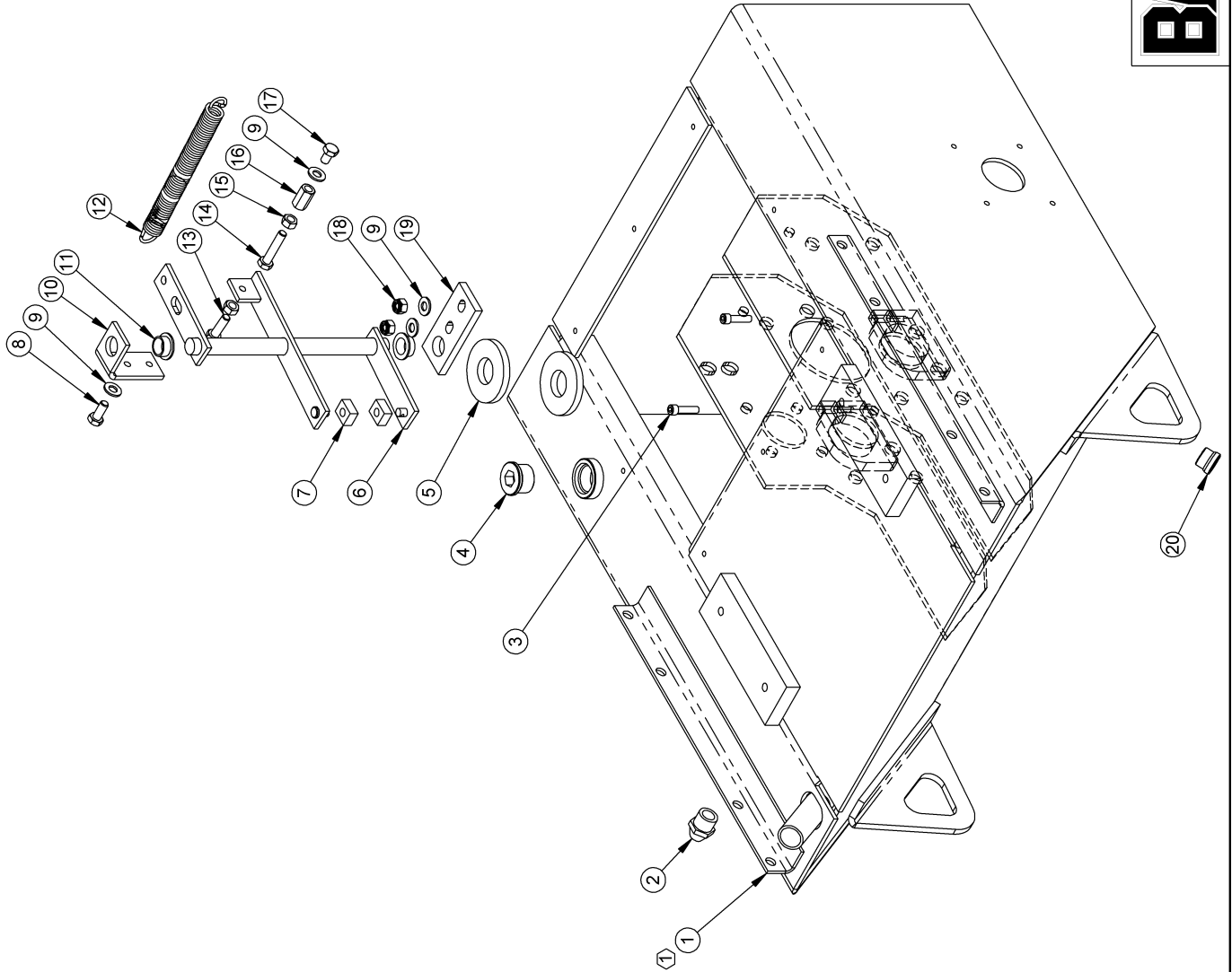
DWG# 00423

SHEET 1 OF 1

BARRETO

REF.	QTY.	PART NO.	DESCRIPTION
1	1	01200	LOWER BODY
2	1	03503	SIGHT GAUGE
3	2	05116	SH CAP SCREW, 1/4-20 NC X 1 PLAIN
4	1	10526	FITTING, 6409-12 PLUG
5	2	03520	MAGNET
6	1	01204	LOCK FORK
7	2	02214	SLIDER
8	1	05247	HH CAP SCREW, 5/16-18 NC X 3/4 G5 ZINC
9	4	05068	WASHER, 5/16 SAE ZINC
10	1	01206	LOCK FORK BRACKET
11	2	03060	BUSHING, IGUS MFI-1012-06
12	1	03220	SPRING, CENTURY 5586, 3/4 X 7-1/4
13	1	05248	HH CAP SCREW, 5/16-18 NC X 1 G5 PLAIN
14	1	05333	HH CAP SCREW, 5/16-18 NC X 1-1/2 G5 ZINC TAP
15	2	05264	NUT, 5/16-18 NC ZINC
16	1	05274	NUT, EXTENDED, 5/16-18 NC X 7/8 ZINC
17	1	05304	HH CAP SCREW, 5/16-18 NC X 1/2 G5 ZINC
18	2	05273	NUT, NYLOCK, 5/16-18 NC ZINC
19	1	01205	LOCK FORK BASE
20	1	10361	FITTING, 6409-8 PLUG

① FOUR WHEEL DRIVE UNITS USE PART NO. 01200-4WD
(LOWER BODY, 4WD).



TITLE: BODY, LOWER



PRODUCT LINE: 1324/1624/1824 DATE: 12/13/07
SCALE: 1:6 DWG# 00424
SHEET 1 OF 1

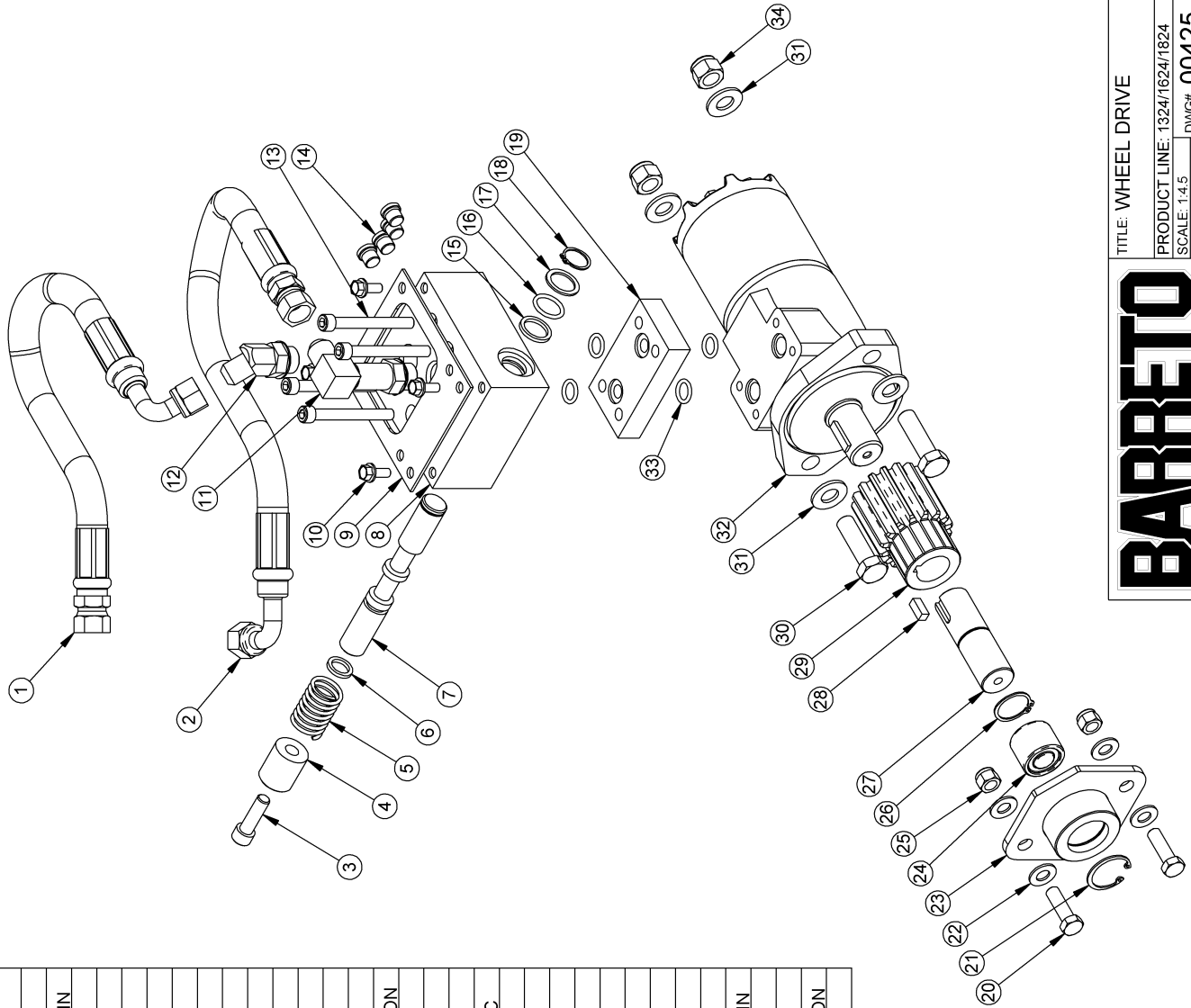
TITLE: WHEEL DRIVE

PRODUCT LINE: 1324/1624/1824 DATE: 12/13/07

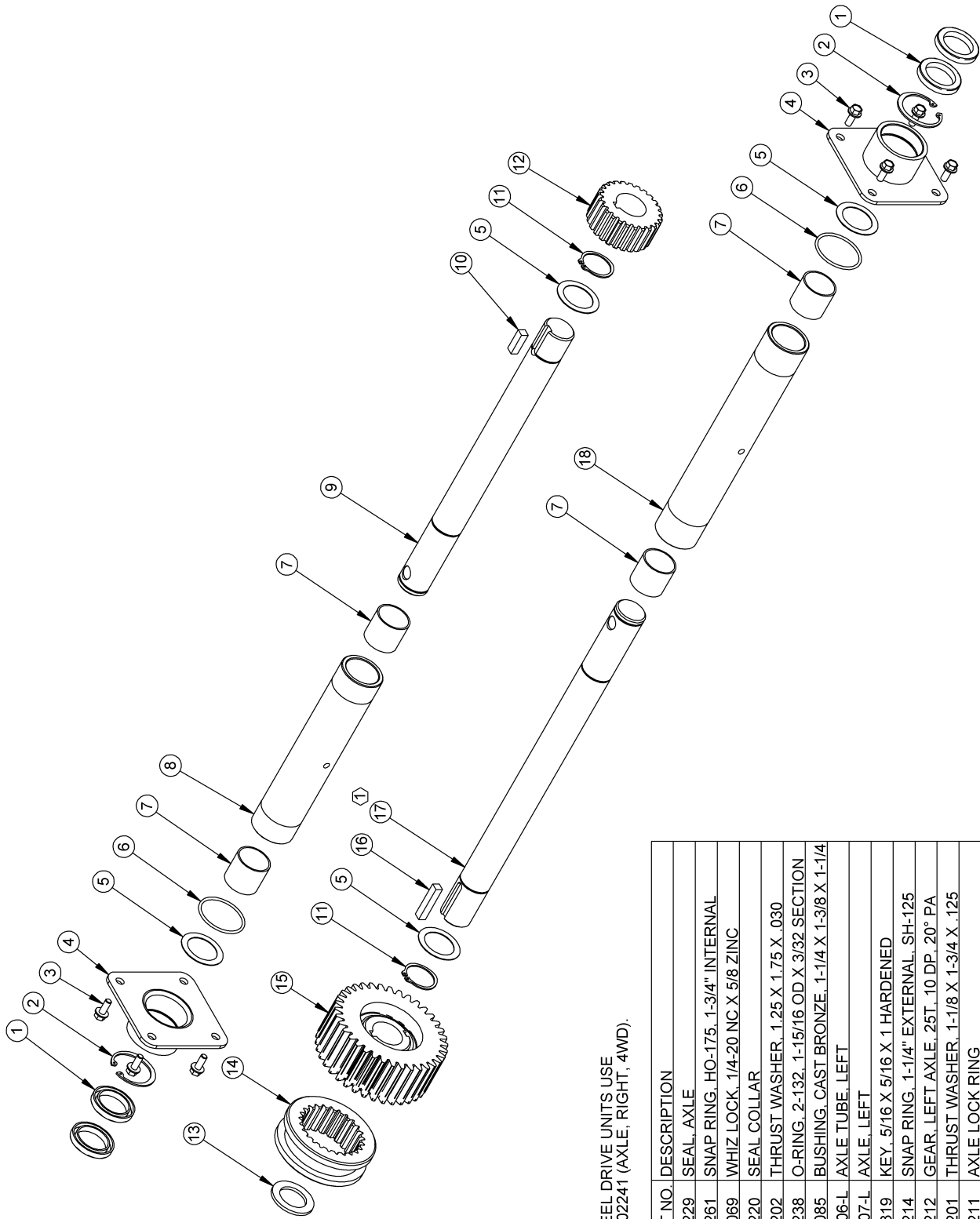
SCALE: 1:4.5 DWG# 00425

SHEET 1 OF 1

BARRETO



REF. QTY.	PART NO.	DESCRIPTION
1	04548-01	HOSE, WHEEL DRIVE, RIGHT, .15"
2	04547-01	HOSE, WHEEL DRIVE, LEFT, .18"
3	05239	SH CAP SCREW, 3/8-16 NC X 1-1/4 G5 PLAIN
4	02202	SPOOL SPACER
5	03055	SPRING, VALVE SPOOL RETURN
6	10614	QUAD RING #4-113
7	02201	SPOOL DRIVE DUMP
8	02200	MANIFOLD, WHEEL MOTOR
9	03242	MANIFOLD GASKET
10	05069	WHIZ LOCK, 1/4-20 NC X 5/8 ZINC
11	04533	FITTING, 6801-8-8-LL
12	04210	FITTING, 6802-8-8
13	05238	SH CAP SCREW, 5/16-18 NC X 3 G5 PLAIN
14	03300	FITTING, 6409-4 PLUG
15	10470	QUAD RING #4-116
16	03225	O-RING, 2-116N70, 15-16 OD X 3/32 SECTION
17	03200	THRUST WASHER, .75 X 1 X .060, HARD
18	05216	SNAP RING, 3/4 EXTERNAL
19	02203CT	MANIFOLD SPACER
20	05091	HH CAP SCREW, 3/8-16 NC X 1-1/4 G5 ZINC
21	05027	SNAP RING, HO-125, 1-1/4 INTERNAL ZINC
22	05101	WASHER, 3/8 SAE ZINC
23	02205	BEARING HOUSING PINION SUPPORT
24	03230	NEEDLE BEARING
25	05073	NUT, NYLOCK, 3/8-16 NC ZINC
26	05010	SNAP RING, 1" EXTERNAL
27	02204	SHAFT, PINION SUPPORT
28	05014-A	KEY, 1/4 X 1/4 X 5/8
29	02210-8	GEAR, PINION, 16T
30	05062	HH CAP SCREW, 1/2-20 NF X 1-3/4 G5 PLAIN
31	05102	WASHER, 1/2 SAE ZINC HARDENED
32	04502	MOTOR, WHEEL DRIVE
33	03226	O-RING, 2-112N70, 11/16 OD X 3/32 SECTION
34	05075	NUT, NYLOCK, 1/2-20 NF ZINC



① FOUR WHEEL DRIVE UNITS USE
PART NO. 02241 (AXLE, RIGHT, 4WD).

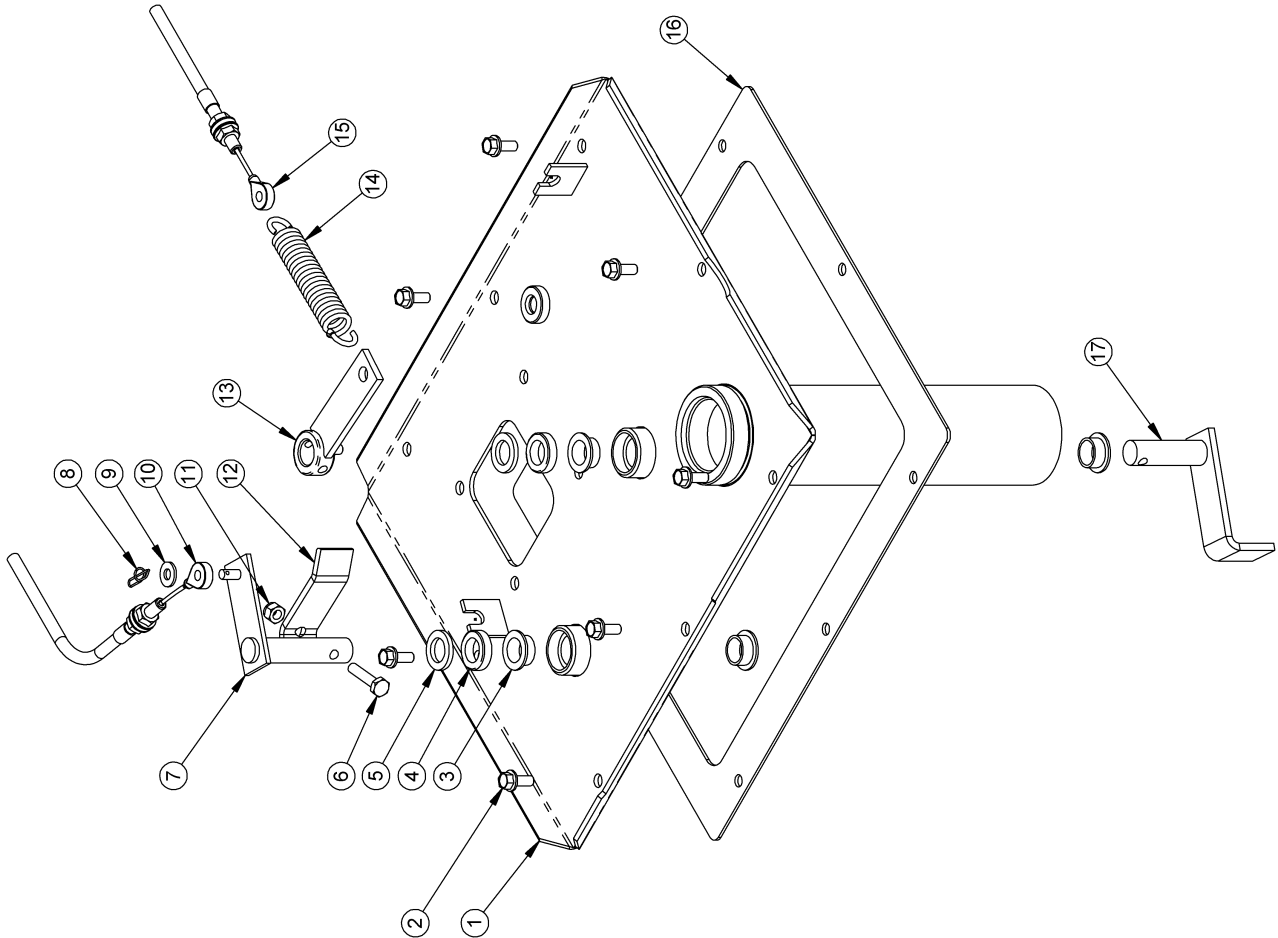
REF. QTY.	PART NO.	DESCRIPTION
1	4	03229 SEAL, AXLE
2	2	03261 SNAP RING, HO-175, 1-3/4" INTERNAL
3	8	05069 WHIZ LOCK, 1/4-20 NC X 5/8 ZINC
4	2	02220 SEAL COLLAR
5	4	03202 THRUST WASHER, 1.25 X 1.75 X .030
6	2	03238 O-RING, 2-132, 1-15/16 OD X 3/32 SECTION
7	4	03085 BUSHING, CAST BRONZE, 1-1/4 X 1-3/8 X 1-1/4
8	1	02206-L AXLE TUBE, LEFT
9	1	02207-L AXLE, LEFT
10	1	05319 KEY, 5/16 X 5/16 X 1 HARDENED
11	2	05214 SNAP RING, 1-1/4" EXTERNAL, SH-125
12	1	02212 GEAR, LEFT AXLE, 25T, 10 DP, 20° PA
13	1	03201 THRUST WASHER, 1-1/8 X 1-3/4 X .125
14	1	02211 AXLE LOCK RING
15	1	02208 GEAR ASSEMBLY, WHEEL DRIVE
16	1	05207 KEY, 5/16 X 5/16 X 1-5/8
17	1	02207-R AXLE, RIGHT
18	1	02206-R AXLE TUBE, RIGHT

TITLE: AXLES

BARRETO

PRODUCT LINE: 1324/1624/1824 DATE: 12/13/07
SCALE: 1:5.4 DWG# 00426
SHEET 1 OF 1

REF. QTY.	PART NO.	DESCRIPTION
1	01201CT-OR	LID
2	05069	WHIZ LOCK, 1/4-20 NC X 5/8 ZINC
3	03060	BUSHING, IGUS MFI-1012-06
4	03020	SEAL
5	03061	FELT WASHER, 5/8 X 1 X 1/8
6	05125	HH CAP SCREW, 1/4-20 NC X 1-1/4 G5 ZINC
7	01210	ACTUATOR ARM
8	05038	RUE RING COTTER #8
9	05081	WASHER, 1/4 SAE ZINC
10	03045	CABLE, ACTUATOR
11	05096	NUT, NYLOCK, 1/4-20 NC ZINC
12	01211	DUMP VALVE LEVER
13	01202	AXLE LOCK LEVER
14	03221	SPRING, CENTURY 5292, 3/4 X 4-1/16
15	03514	CABLE, 40"
16	03241	LID GASKET
17	01203	AXLE LOCK SHAFT

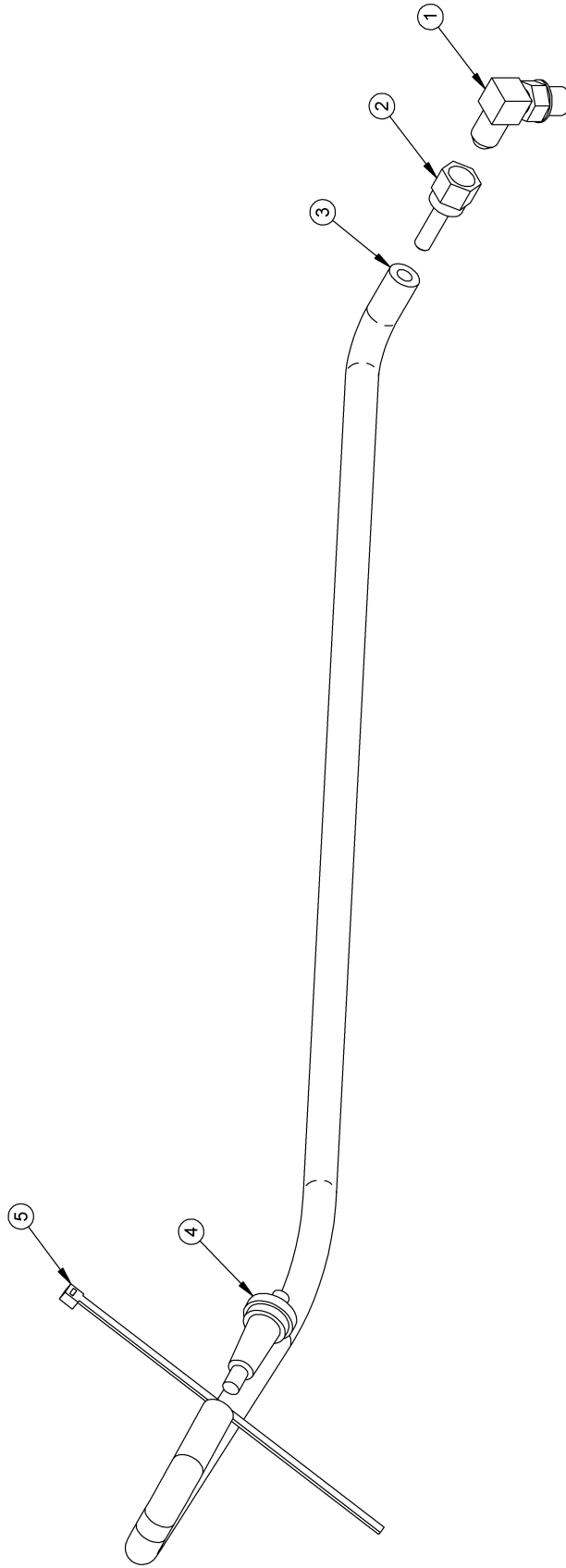


TITLE: LID

BARRETO

PRODUCT LINE: 1324/1624/1824 DATE: 12/13/07
 SCALE: 1:4.5 DWG# 00427
 SHEET 1 OF 1

REF. QTY.	PART NO.	DESCRIPTION
1	04555	FITTING, 6801-4-4
2	04214	FITTING, JS-4-4, HOSE BARB 1/4 X 1/4 SWIVEL
3	11364	HOSE, 1/4 INCH GASOLINE, 4L5, 44" LONG
4	04516	BREATHER, FILTER SNAPPER 1435
5	03035	TIE WRAP, 1/8 X 6



TITLE: BREATHER HOSE

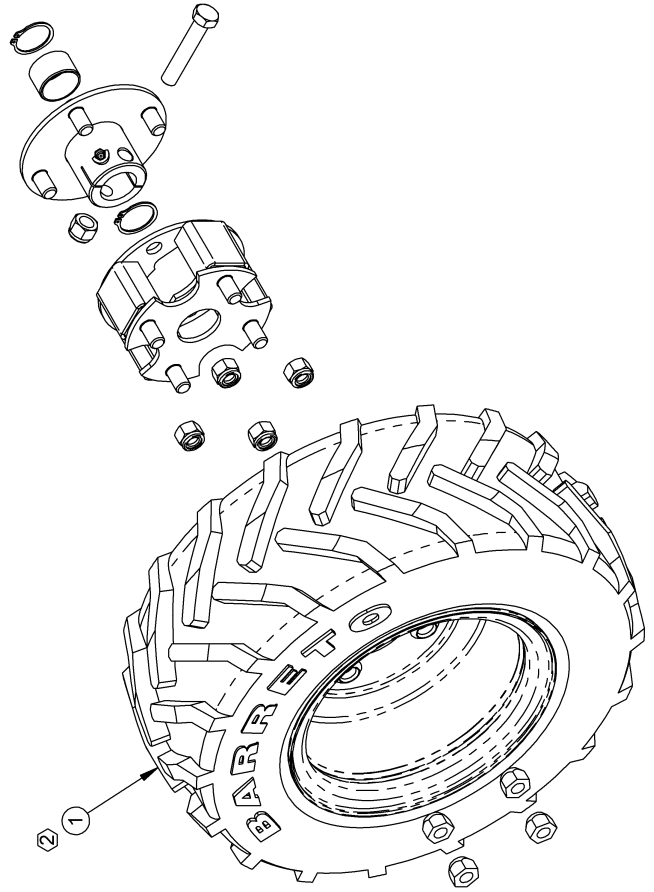
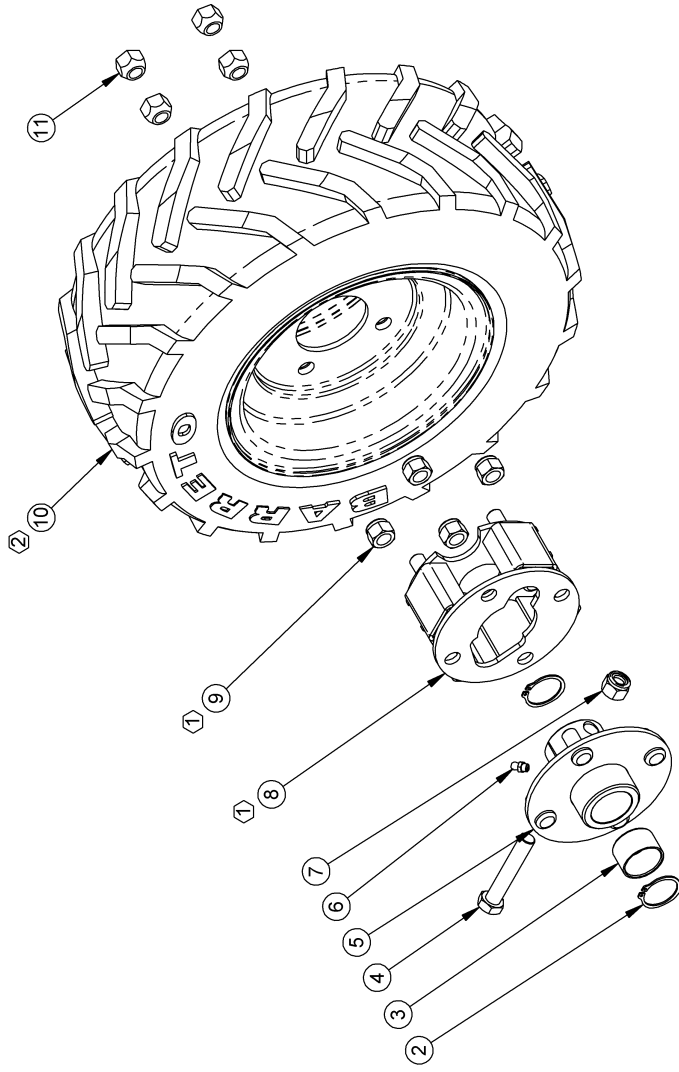
PRODUCT LINE: 1324/1624/1824 DATE: 12/13/07

SCALE: 1:2.5 DWG# 00428
SHEET 1 OF 1

BARRETO

REF. QTY.	PART NO.	DESCRIPTION
1	03046	TIRE & RIM, TILLER LH, TRENCHER RH, 16 X 6.50 -8
2	05214	SNAP RING, 1-1/4" EXTERNAL, SH-125
3	03260	BUSHING, IGUS LSI-2022-14
4	05565	HH CAP SCREW, 1/2-13 NC X 2-3/4 A325 ZINC
5	02215	WHEEL HUB, 4 BOLT ON 4" BC
6	05044	GREASE ZERK, 1/4-28 UNF
7	05098	NUT, NYLOCK, 1/2-13 NC ZINC
8	01250	WHEEL SPACER
9	05075	NUT, NYLOCK, 1/2-20 NF ZINC
10	03047	TIRE & RIM, TILLER RH, TRENCHER LH, 16 X 6.50 -8
11	05042	NUT, LUG, 1/2-20 NF

① ONLY USE WITH WIDE TIRES.



② TIRE OPTIONS

PART NO.	DESCRIPTION
03046	TIRE & RIM, RH, 16 X 6.50 -8
03046-F	TIRE & RIM, RH, 16 X 6.50 -8, FOAM FILLED
03047	TIRE & RIM, LH, 16 X 6.50 -8
03047-F	TIRE & RIM, LH, 16 X 6.50 -8, FOAM FILLED
03048	TIRE ONLY, 16 X 6.50 -8
03049	RIM ONLY, FOR 16 X 6.50 -8 TIRE
03050	RIM ONLY, FOR 18 X 9.50 -8 TIRE (WIDE)
03051	TIRE & RIM, 18 X 9.50 -8 (WIDE) TURFSAVER
03052	TIRE & RIM, RH, 18 X 9.50 -8 (WIDE)
03052-F	TIRE & RIM, RH, 18 X 9.50 -8 (WIDE), FOAM FILLED
03053	TIRE & RIM, LH, 18 X 9.50 -8 (WIDE)
03053-F	TIRE & RIM, LH, 18 X 9.50 -8 (WIDE), FOAM FILLED
03054	TIRE ONLY, 18 X 9.50 -8 TIRE (WIDE)

TITLE: WHEELS & WHEEL HUBS

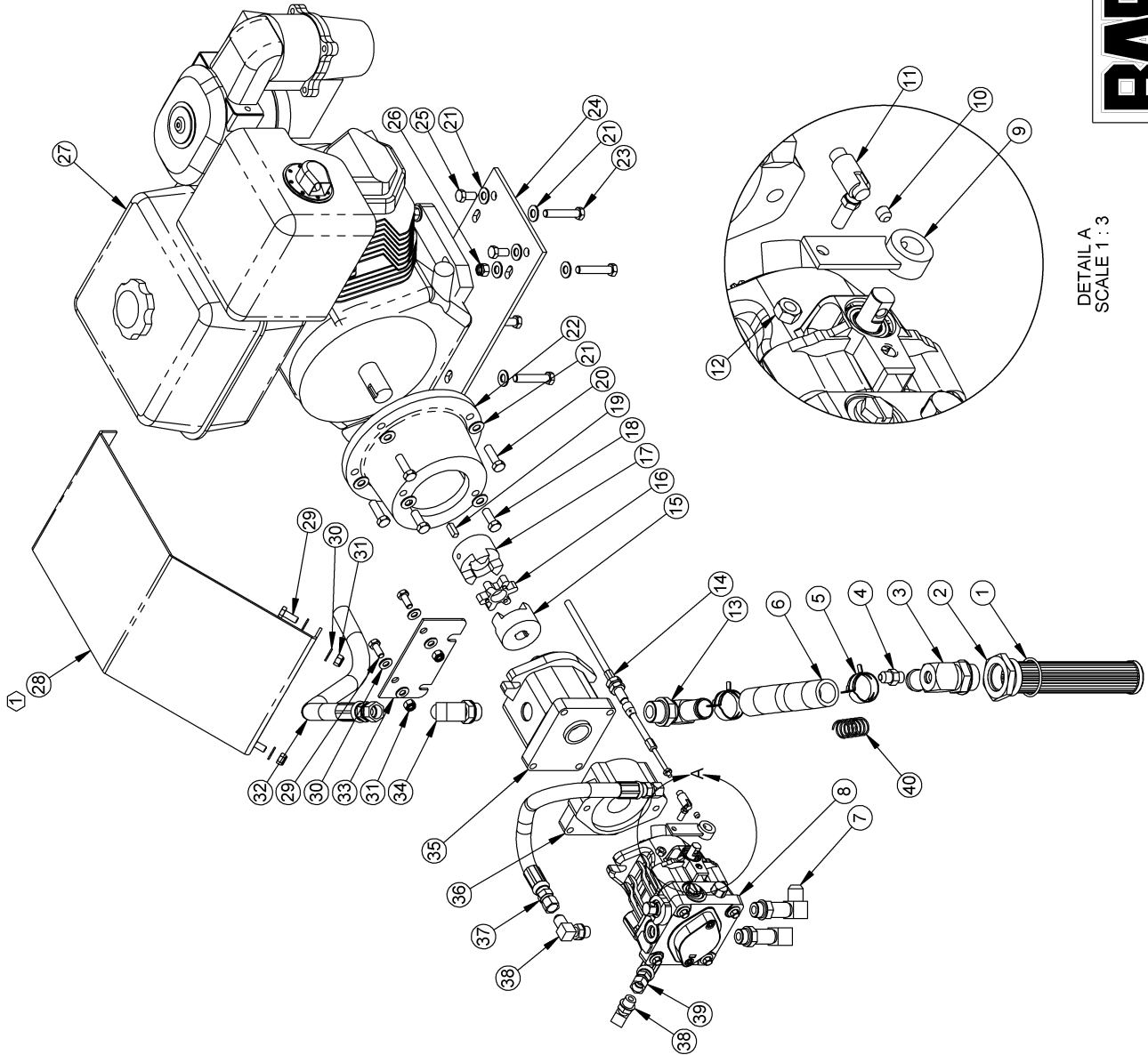
PRODUCT LINE: 1324/1624/1824 DATE: 12/13/07

SCALE: 1:5.7

SHEET 1 OF 1 DWG# 00429

BARRETO

① FOR WIDE TIRE MODELS USE PART NO. 01217-BW.



DETAIL A
SCALE 1 : 3

BARRETO

TITLE: ENGINE & PUMPS, 13 HP HONDA
 PRODUCT LINE: 1324 DATE: 1/23/08
 SCALE: 1:8 DWG# 00430-13
 SHEET 1 OF 1

REF. QTY.	PART NO.	DESCRIPTION
1	03292	O-RING, 3-924N90, -24 FITTINGS
2	10636	SUMP SCREEN, #24 EXT #16 INT O-RING
3	10680	FITTING, 4601-16-16-TAP
4	10401	FITTING, 6400-6-6
5	05225	CLAMP, 1-1/2" HOSE, CTB-36 ST
6	11363	HOSE, PUMP INTAKE
7	04533	FITTING, 6801-8-8-LL
8	04506	PUMP, PG-10 HYDROSTATIC
9	01216	LEVER, HYDRO PUMP
10	05020	SET SCREW, 1/4-20 UNC X 1/4
11	03510	BALL JOINT, 1/4-28 NF, 10-32, DETACHABLE
12	05267	NUT, 1/4-28 NF ZINC
13	04530	FITTING, 4601-16-12
14	03516	CABLE, WHEEL SPEED
15	03021	JAW COUPLER, PUMP, 5/8" BORE
16	03022	SPIDER, RUBBER
17	03023	JAW COUPLER, 1" BORE L095
18	05059	HH CAP SCREW, 3/8-16 NC X 1 G5 ZINC
19	05014	KEY, 1/4 X 1/4 X 3/4
20	05091	HH CAP SCREW, 3/8-16 NC X 1-1/4 G5 ZINC
21	05101	WASHER, 3/8 SAE ZINC
22	02016	PUMP ADAPTER
23	05262	HH CAP SCREW, 3/8-16 NC X 2 G5 ZINC
24	01218-H	ENGINE MOUNT PLATE, HONDA 13 & 18 HP
25	05057	HH CAP SCREW, 3/8-16 NC X 3/4 G5 ZINC
26	05073	NUT, NYLOCK, 3/8-16 NC ZINC
27	07007	ENGINE, 13 HP HONDA GX390 CYCLONE AIR
28	01217	PUMP SHIELD, STANDARD 1324 & 1624
29	05247	HH CAP SCREW, 5/16-18 NC X 3/4 G5 ZINC
30	05068	WASHER, 5/16 SAE ZINC
31	05273	NUT, NYLOCK, 5/16-18 NC ZINC
32	04551-01	HOSE, PUMP TO VALVES
33	01215	SHIELD MOUNT
34	04211	FITTING, 6801-8-10
35	04507	PUMP_SNP2-8.5-HSTAT
36	04504	ADAPTER WITH O-RINGS & HARDWARE
37	04545-01	HOSE, HYDROSTAT SUMP
38	04538	FITTING, 6801-6-6
39	04543	HOSE, HYDROSTAT TO FILTER
40	04511	SPRING, 1" OD

REF. QTY.	PART NO.	DESCRIPTION
1	03292	O-RING, 3-924N90, -24 FITTINGS
2	10636	SUMP SCREEN, #24 EXT #16 INT O-RING
3	10680	FITTING, 4601-16-16-TAP
4	10401	FITTING, 6400-6-6
5	05225	CLAMP, 1-1/2" HOSE, CTB-36 ST
6	11363	HOSE, PUMP INTAKE
7	04533	FITTING, 6801-8-8-LL
8	04506	PUMP, PG-10 HYDROSTATIC
9	01216	LEVER, HYDRO PUMP
10	05020	SET SCREW, 1/4-20 UNC X 1/4
11	03510	BALL JOINT, 1/4-28 NF, 10-32, DETACHABLE
12	05267	NUT, 1/4-28 NF ZINC
13	04530	FITTING, 4601-16-12
14	03516	CABLE, WHEEL SPEED
15	03021	JAW COUPLER, PUMP, 5/8" BORE
16	03022	SPIDER, RUBBER
17	03023	JAW COUPLER, 1" BORE L095
18	05059	HH CAP SCREW, 3/8-16 NC X 1 G5 ZINC
19	05014	KEY, 1/4 X 1/4 X 3/4
20	05091	HH CAP SCREW, 3/8-16 NC X 1-1/4 G5 ZINC
21	05101	WASHER, 3/8 SAE ZINC
22	02016	PUMP ADAPTER
23	05054	HH CAP SCREW, 5/16-18 NC X 1-3/4 G5 ZINC
24	05068	WASHER, 5/16 SAE ZINC
25	01218	ENGINE MOUNT PLATE, BRIGGS
26	05057	HH CAP SCREW, 3/8-16 NC X 3/4 G5 ZINC
27	05273	NUT, NYLOCK, 5/16-18 NC ZINC
28	07001	ENGINE, 16 HP BRIGGS
29	07000-10	MUFFLER
30	07000-11	MUFFLER GUARD
31	01217	PUMP SHIELD, STANDARD 1324 & 1624
32	05247	HH CAP SCREW, 5/16-18 NC X 3/4 G5 ZINC
33	04551-01	HOSE, PUMP TO VALVES
34	01215	SHIELD MOUNT
35	04211	FITTING, 6801-8-10
36	04503	PUMP SNP2-11-HSTAT
37	04504	ADAPTER WITH O-RINGS & HARDWARE
38	04545-01	HOSE, HYDROSTAT SUMP
39	04538	FITTING, 6801-6-6
40	04543	HOSE, HYDROSTAT TO FILTER
41	04511	SPRING, 1" OD

① FOR WIDE TIRE MODELS USE PART NO. 01217-BW



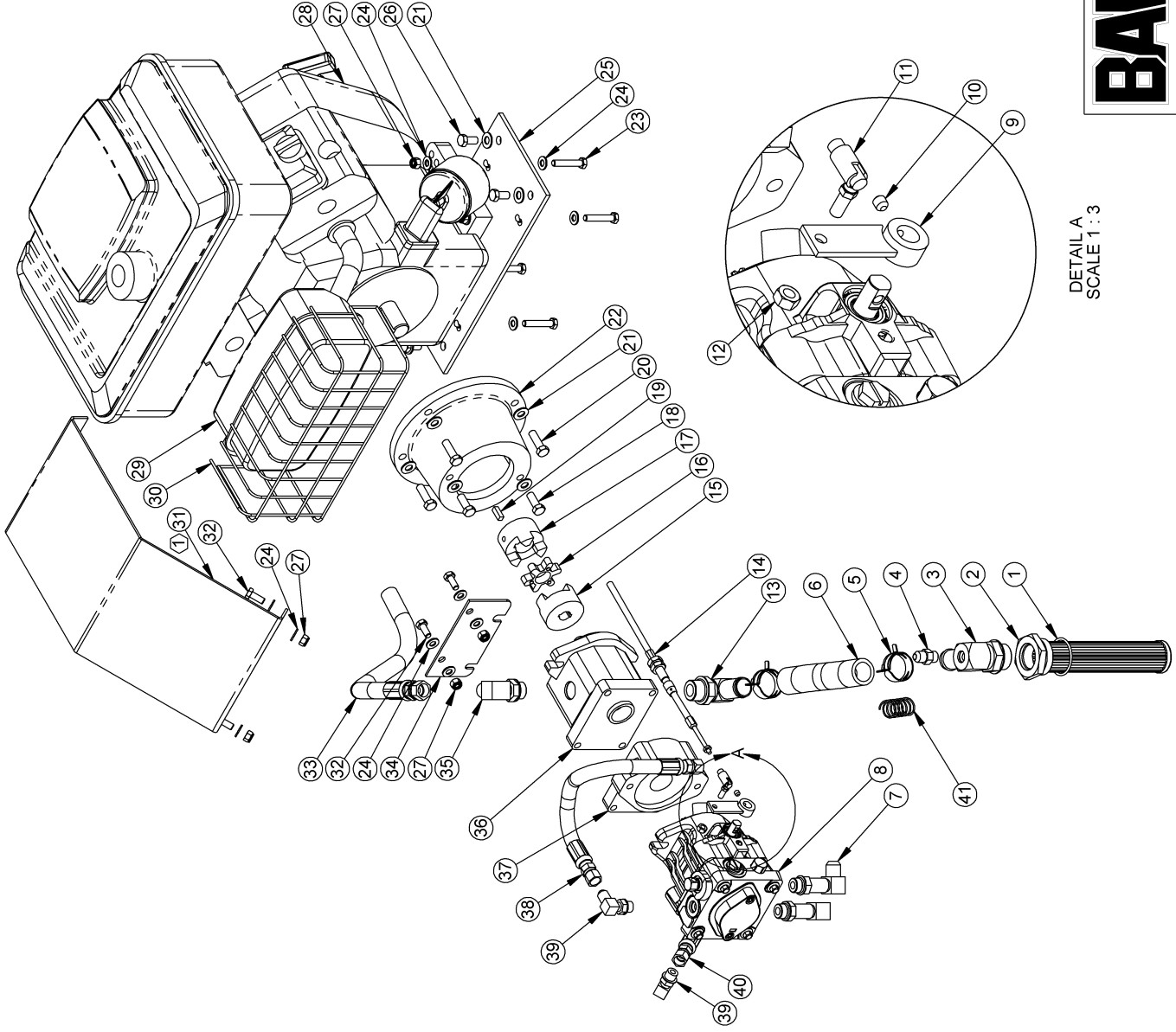
DETAIL A
SCALE 1 : 3

TITLE: ENGINE & PUMPS, 16 HP B&S

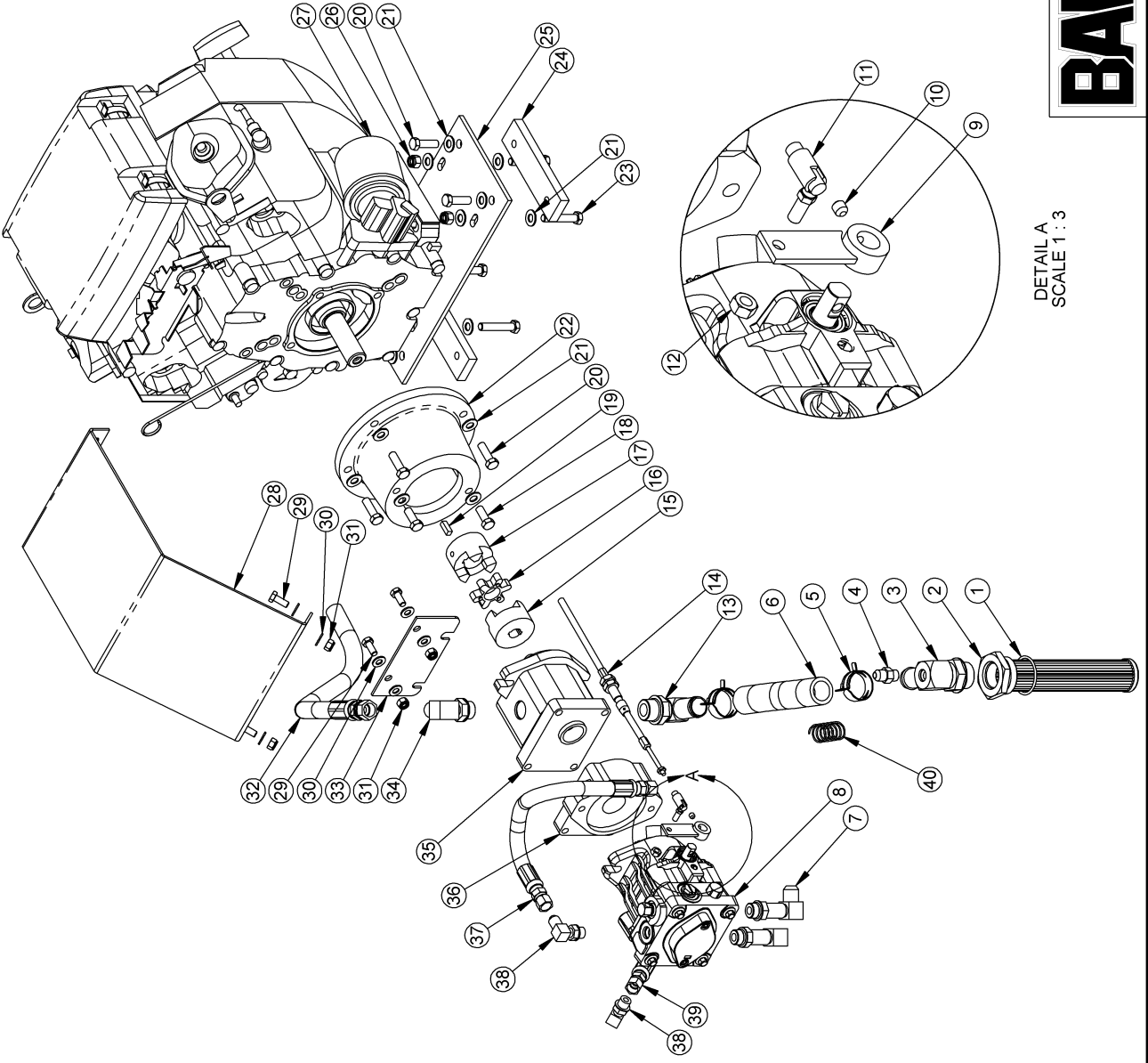
PRODUCT LINE: 1624 DATE: 1/24/08

SCALE: 1:8 DWG# 00430-16

SHEET 1 OF 1



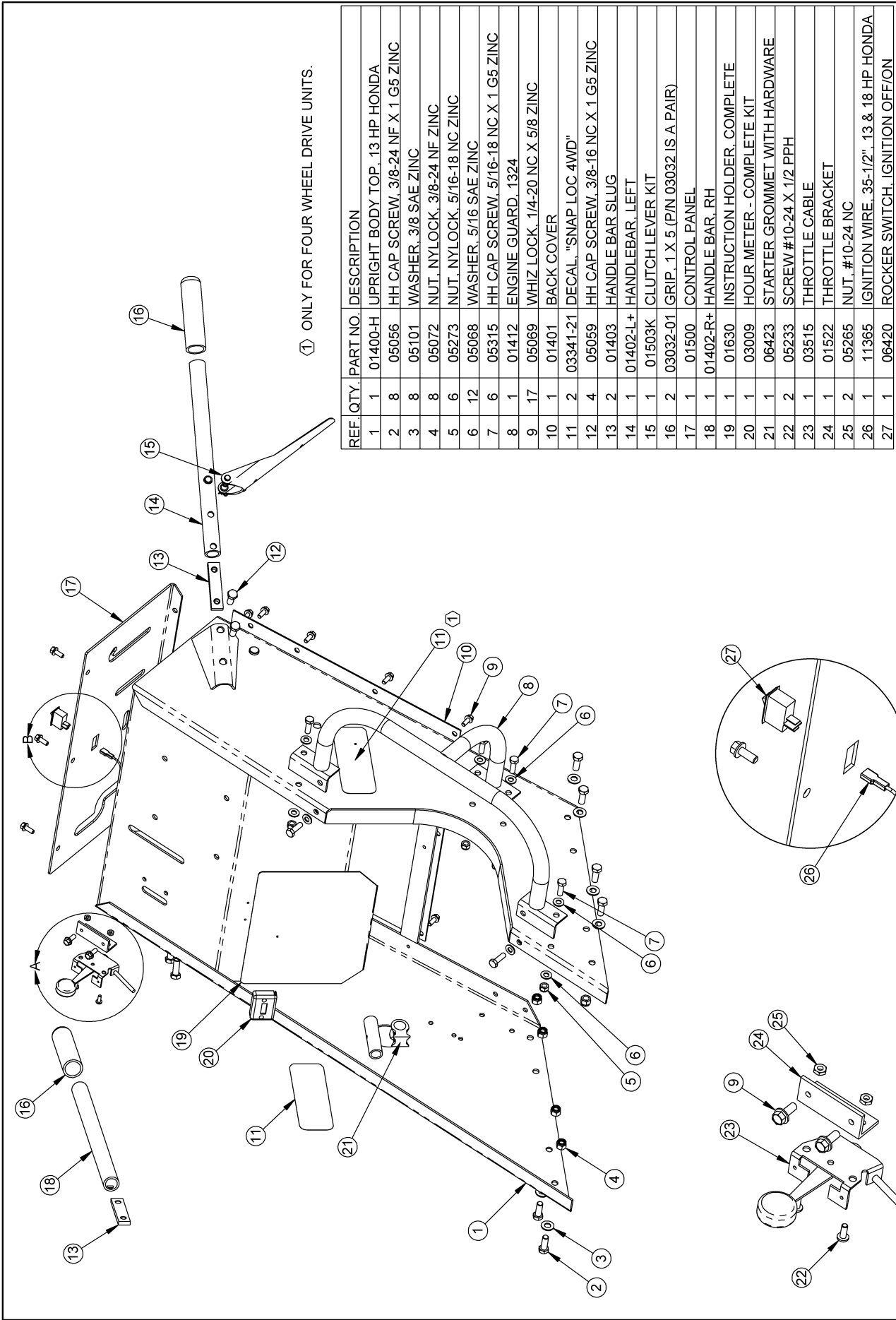
REF. QTY.	PART NO.	DESCRIPTION
1	03292	O-RING, 3-924N90, -24 FITTINGS
2	10636	SUMP SCREEN, #24 EXT #16 INT O-RING
3	10680	FITTING, 4601-16-16-TAP
4	10401	FITTING, 6400-6-6
5	05225	CLAMP, 1-1/2" HOSE, CTB-36 ST
6	11363	HOSE, PUMP INTAKE
7	04533	FITTING, 6801-8-8-LL
8	04506	PUMP, PG-10 HYDROSTATIC
9	01216	LEVER, HYDRO PUMP
10	05020	SET SCREW, 1/4-20 UNC X 1/4
11	03510	BALL JOINT, 1/4-28 NF, 10-32, DETACHABLE
12	05267	NUT, 1/4-28 NF ZINC
13	04530	FITTING, 4601-16-12
14	03516	CABLE, WHEEL SPEED
15	03021	JAW COUPLER, PUMP, 5/8" BORE
16	03022	SPIDER, RUBBER
17	03023	JAW COUPLER, 1" BORE L095
18	05059	HH CAP SCREW, 3/8-16 NC X 1 G5 ZINC
19	05014	KEY, 1/4 X 1/4 X 3/4
20	05091	HH CAP SCREW, 3/8-16 NC X 1-1/4 G5 ZINC
21	05101	WASHER, 3/8 SAE ZINC
22	02016	PUMP ADAPTER
23	05262	HH CAP SCREW, 3/8-16 NC X 2 G5 ZINC
24	01219	ENGINE SPACER, 18 HP HONDA
25	01218-H	ENGINE MOUNT PLATE, HONDA 13 & 18 HP
26	05073	NUT, NYLOCK, 3/8-16 NC ZINC
27	07010	ENGINE, 18 HP HONDA GX610
28	01217-H	PUMP SHIELD, 18 HP HONDA
29	05247	HH CAP SCREW, 5/16-18 NC X 3/4 G5 ZINC
30	05068	WASHER, 5/16 SAE ZINC
31	05273	NUT, NYLOCK, 5/16-18 NC ZINC
32	04551-01	HOSE, PUMP TO VALVES
33	01215	SHIELD MOUNT
34	04211	FITTING, 6801-8-10
35	04503	PUMP SNP2-11-HSTAT
36	04504	ADAPTER WITH O-RINGS & HARDWARE
37	04545-01	HOSE, HYDROSTAT SUMP
38	04538	FITTING, 6801-6-6
39	04543	HOSE, HYDROSTAT TO FILTER
40	04511	SPRING, 1" OD



DETAIL A
SCALE 1 : 3



TITLE: ENGINE & PUMPS, 18 HP HONDA
 PRODUCT LINE: 1824 DATE: 9/10/07
 SCALE: 1:8
 SHEET 1 OF 1 DWG# 00430-18

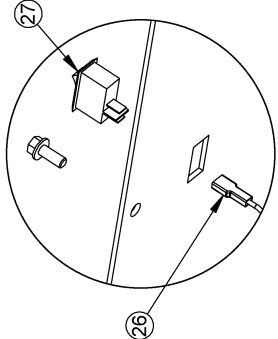


① ONLY FOR FOUR WHEEL DRIVE UNITS.

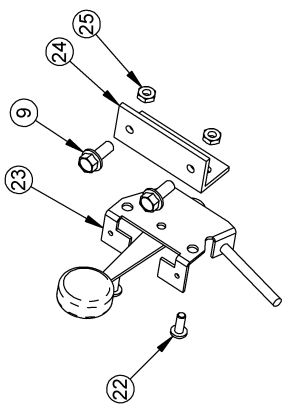
REF. QTY.	PART NO.	DESCRIPTION
1	01400-H	UPRIGHT BODY TOP, 13 HP HONDA
2	05056	HH CAP SCREW, 3/8-24 NF X 1 G5 ZINC
3	05101	WASHER, 3/8 SAE ZINC
4	05072	NUT, NYLOCK, 3/8-24 NF ZINC
5	05273	NUT, NYLOCK, 5/16-18 NC ZINC
6	05068	WASHER, 5/16 SAE ZINC
7	05315	HH CAP SCREW, 5/16-18 NC X 1 G5 ZINC
8	01412	ENGINE GUARD, 1324
9	05089	WHIZ LOCK, 1/4-20 NC X 5/8 ZINC
10	01401	BACK COVER
11	03341-21	DECAL, "SNAP LOC 4WD"
12	05059	HH CAP SCREW, 3/8-16 NC X 1 G5 ZINC
13	01403	HANDLE BAR SLUG
14	01402-L+	HANDLEBAR, LEFT
15	01503K	CLUTCH LEVER KIT
16	03032-01	GRIP, 1 X 5 (P/N 03032 IS A PAIR)
17	01500	CONTROL PANEL
18	01402-R+	HANDLE BAR, RH
19	01630	INSTRUCTION HOLDER, COMPLETE
20	03009	HOUR METER - COMPLETE KIT
21	06423	STARTER GROMMET WITH HARDWARE
22	05233	SCREW #10-24 X 1/2 PPH
23	03515	THROTTLE CABLE
24	01522	THROTTLE BRACKET
25	05265	NUT, #10-24 NC
26	11365	IGNITION WIRE, 35-1/2", 13 & 18 HP HONDA
27	06420	ROCKER SWITCH, IGNITION OFF/ON

BARRETO

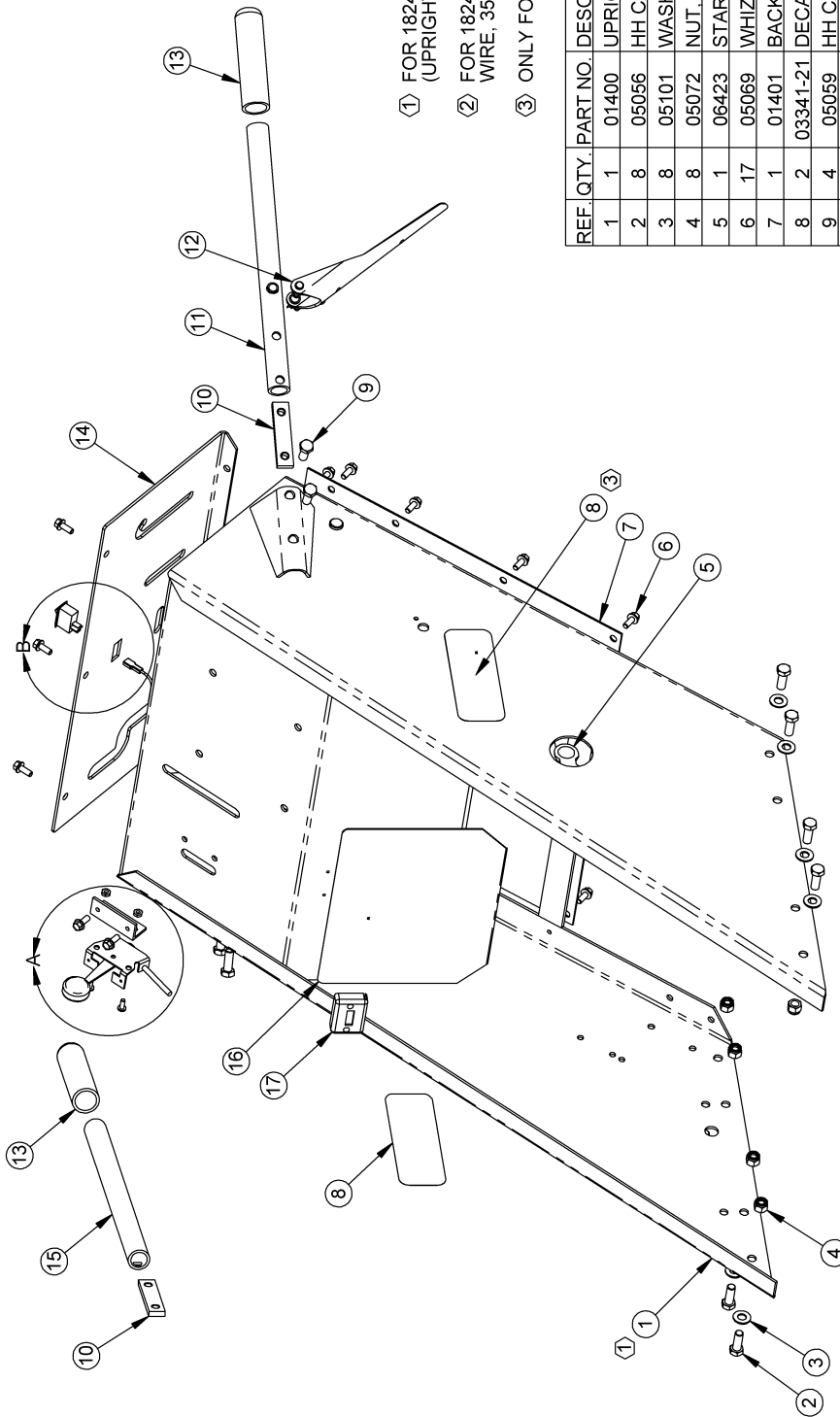
TITLE: BODY, UPPER, 13 HP HONDA
 PRODUCT LINE: 1324 DATE: 12/14/07
 SCALE: 1:8 DWG# 00431-13
 SHEET 1 OF 1



DETAIL B
SCALE 1 : 4



DETAIL A
SCALE 1 : 4



- ① FOR 1824, USE PART NO. 01400-R (UPRIGHT BODY TOP, 18 HP HONDA).
- ② FOR 1824, USE PART NO. 11365 (IGNITION WIRE, 35-1/2", 13 & 18 HP HONDA).
- ③ ONLY FOR FOUR WHEEL DRIVE UNITS.

REF. QTY.	PART NO.	DESCRIPTION
1	01400	UPRIGHT BODY TOP, 16 HP BRIGGS
2	05056	HH CAP SCREW, 3/8-24 NF X 1 G5 ZINC
3	05101	WASHER, 3/8 SAE ZINC
4	05072	NUT, NYLOCK, 3/8-24 NF ZINC
5	06423	STARTER GROMMET WITH HARDWARE
6	05069	WHIZ LOCK, 1/4-20 NC X 5/8 ZINC
7	01401	BACK COVER
8	03341-21	DECAL, "SNAP LOC 4WD"
9	05059	HH CAP SCREW, 3/8-16 NC X 1 G5 ZINC
10	01403	HANDLE BAR SLUG
11	01402-L+	HANDLEBAR, LEFT
12	01503K	CLUTCH LEVER KIT
13	03032-01	GRIP, 1 X 5 (P/N 03032 IS A PAIR)
14	01500	CONTROL PANEL
15	01402-R+	HANDLE BAR, RH
16	01630	INSTRUCTION HOLDER, COMPLETE
17	03009	HOUR METER - COMPLETE KIT
18	05233	SCREW #10-24 X 1/2 PPH
19	03515	THROTTLE CABLE
20	01522	THROTTLE BRACKET
21	05265	NUT, #10-24 NC
22	11366	IGNITION WIRE, 35-1/2", 16 HP B&S
23	06420	ROCKER SWITCH, IGNITION OFF/ON

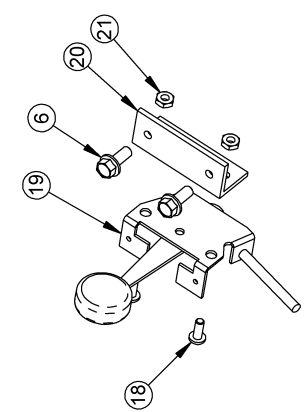
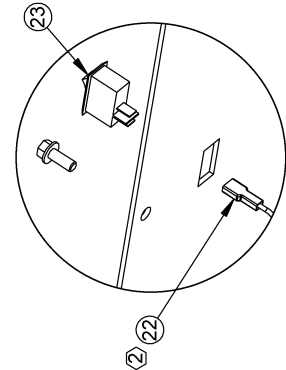
TITLE: BODY, UPPER, 16 & 18 HP

PRODUCT LINE: 1624 & 1824 **DATE:** 12/14/07

SCALE: 1:8 **DWG#** 00431-16&18

SHEET 1 OF 1

BARRETO



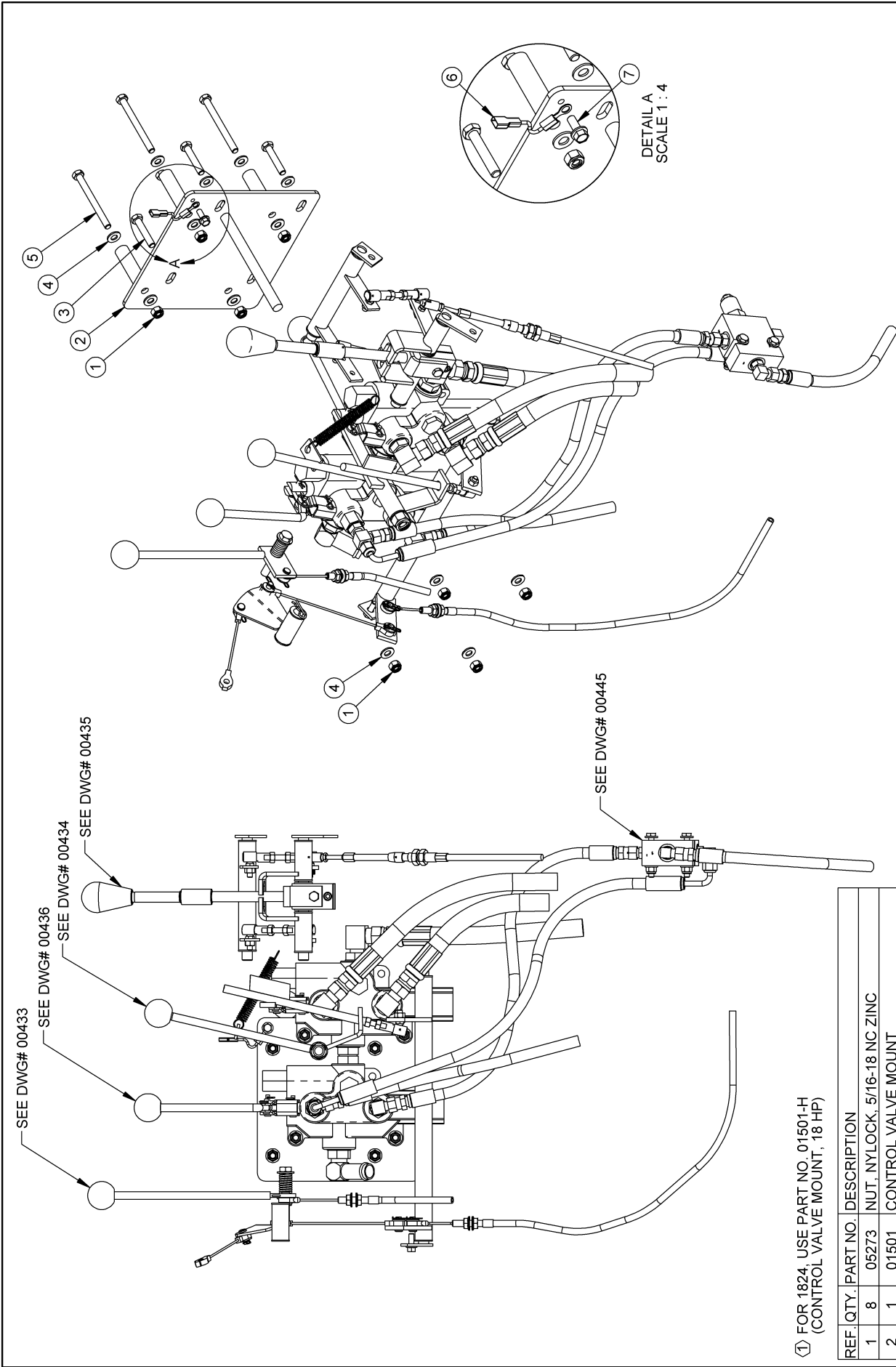
BARRETO

TITLE: CONTROLS OVERVIEW

PRODUCT LINE: 1324/1624/1824 DATE: 2/6/08

SCALE: 1:6.4

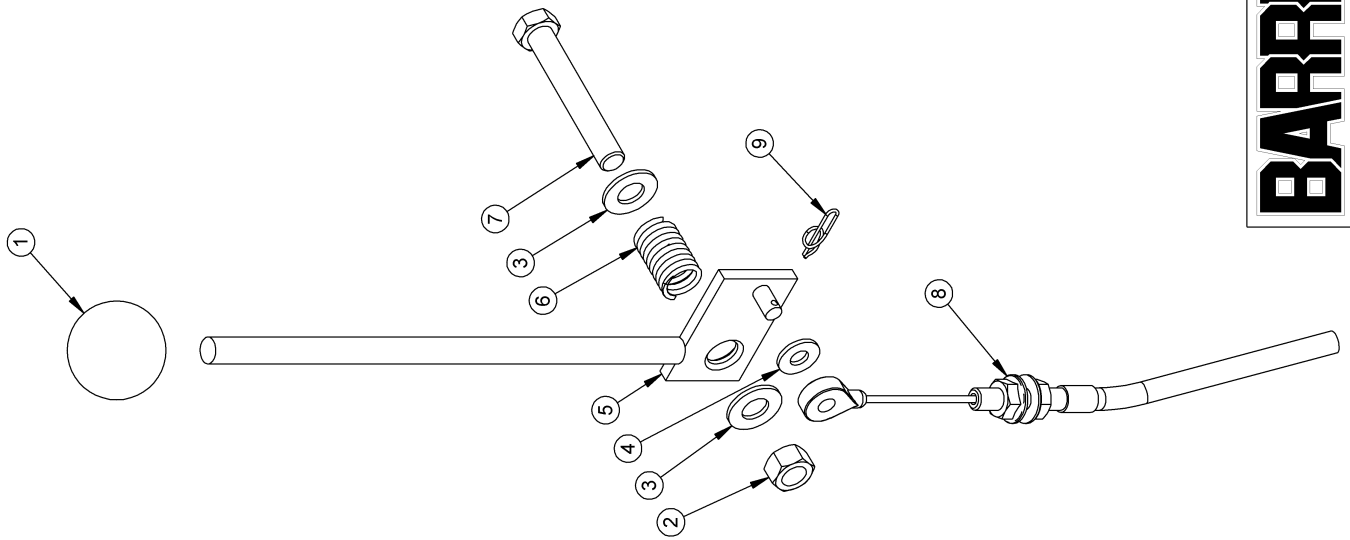
SHEET 1 OF 1 DWG# 00432



① FOR 1824, USE PART NO. 01501-H (CONTROL VALVE MOUNT, 18 HP)

REF. QTY.	PART NO.	DESCRIPTION
1	8	05273 NUT, NYLOCK, 5/16-18 NC ZINC
2	1	01501 CONTROL VALVE MOUNT
3	4	05054 HH CAP SCREW, 5/16-18 NC X 1-3/4 G5 ZINC
4	16	05068 WASHER, 5/16 SAE ZINC
5	4	05246 HH CAP SCREW, 5/16-18 NC X 3-1/2 G5 ZINC
6	1	11368 GROUND WIRE, IGNITION SWITCH
7	1	05069 WHIZ LOCK, 1/4-20 NC X 5/8 ZINC

REF.	QTY.	PART NO.	DESCRIPTION
1	1	03507	NOB. 3/8-NC
2	1	05269	NUT. 3/8-16 NC GRB ZINC
3	2	05101	WASHER. 3/8 SAE ZINC
4	1	05081	WASHER. 1/4 SAE ZINC
5	1	01521	AXLE LOCK CONTROL
6	1	03066	SPRING. CENTURY S774
7	1	05249	HH CAP SCREW. 3/8-16 NC X 2-1/2 G5 ZINC
8	1	03514	CABLE. 40"
9	1	05038	RUE RING COTTER #8



TITLE: AXLE LOCK CONTROL

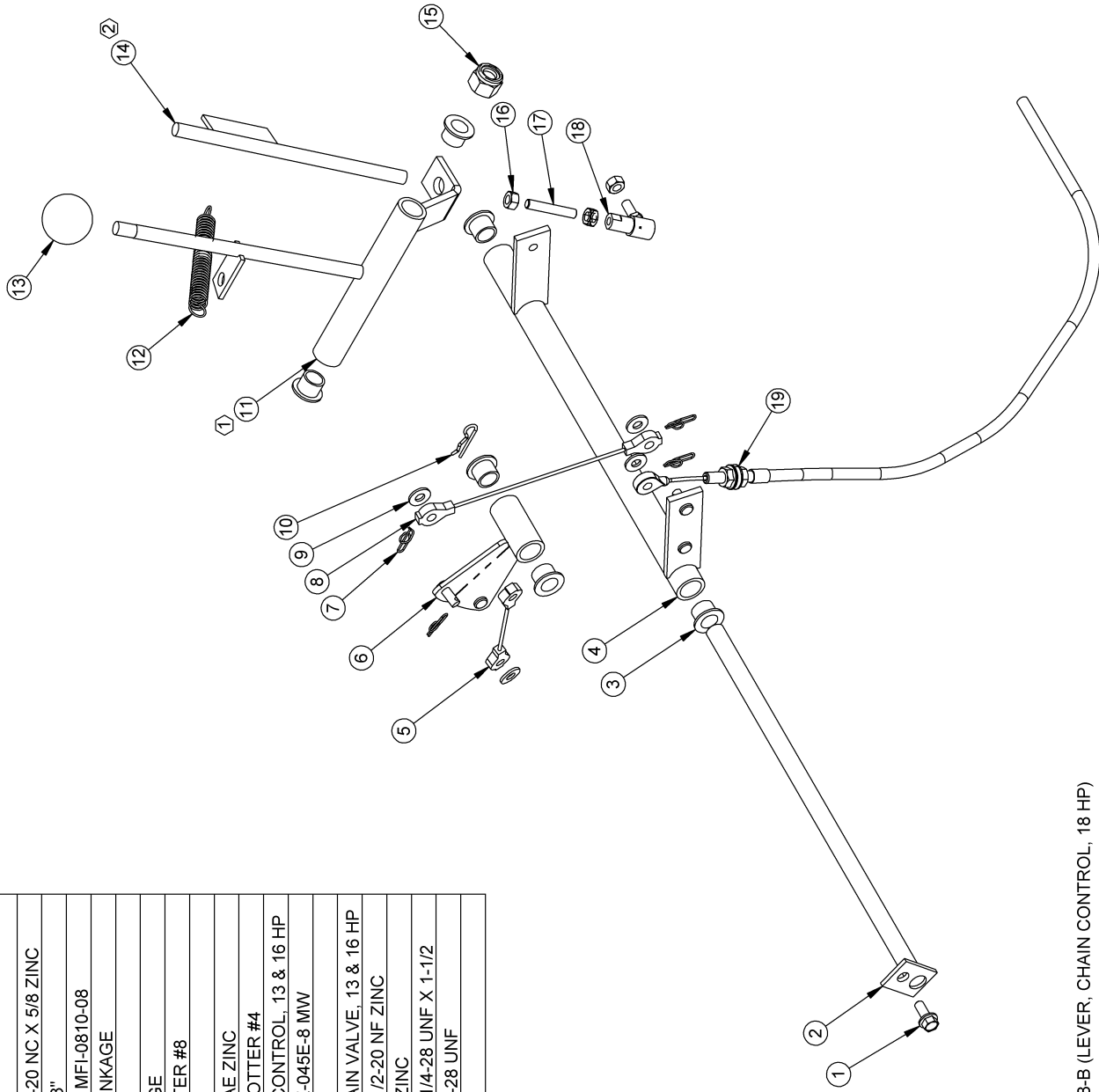
PRODUCT LINE: 1324/1624/1824 DATE: 12/17/07

SCALE: 1:2.5

SHEET 1 OF 1 DWG# 00433

BARRETO

REF. QTY.	PART NO.	DESCRIPTION
1	05069	WHIZ LOCK, 1/4-20 NC X 5/8 ZINC
2	01513-13	LINKAGE PIN, 13"
3	03501	BUSHING, IGUS MFI-0810-08
4	01516	CHAIN VALVE LINKAGE
5	03505	CABLE, 4-1/2"
6	01502	CLUTCH LINKAGE
7	05038	RUE RING COTTER #8
8	03506	CABLE, 6-1/2"
9	05081	WASHER, 1/4 SAE ZINC
10	03065	HAIR SPRING COTTER #4
11	01518	LEVER, CHAIN CONTROL, 13 & 16 HP
12	03224	SPRING, LEE LE-045E-8 MW
13	03507	KNOB, 3/8-NC
14	01517	PUSH ROD, CHAIN VALVE, 13 & 16 HP
15	05075	NUT, NYLOCK, 1/2-20 NF ZINC
16	05267	NUT, 1/4-28 NF ZINC
17	05503	LINKAGE ROD, 1/4-28 UNF X 1-1/2
18	03511	BALL JOINT, 1/4-28 UNF
19	03045	CABLE



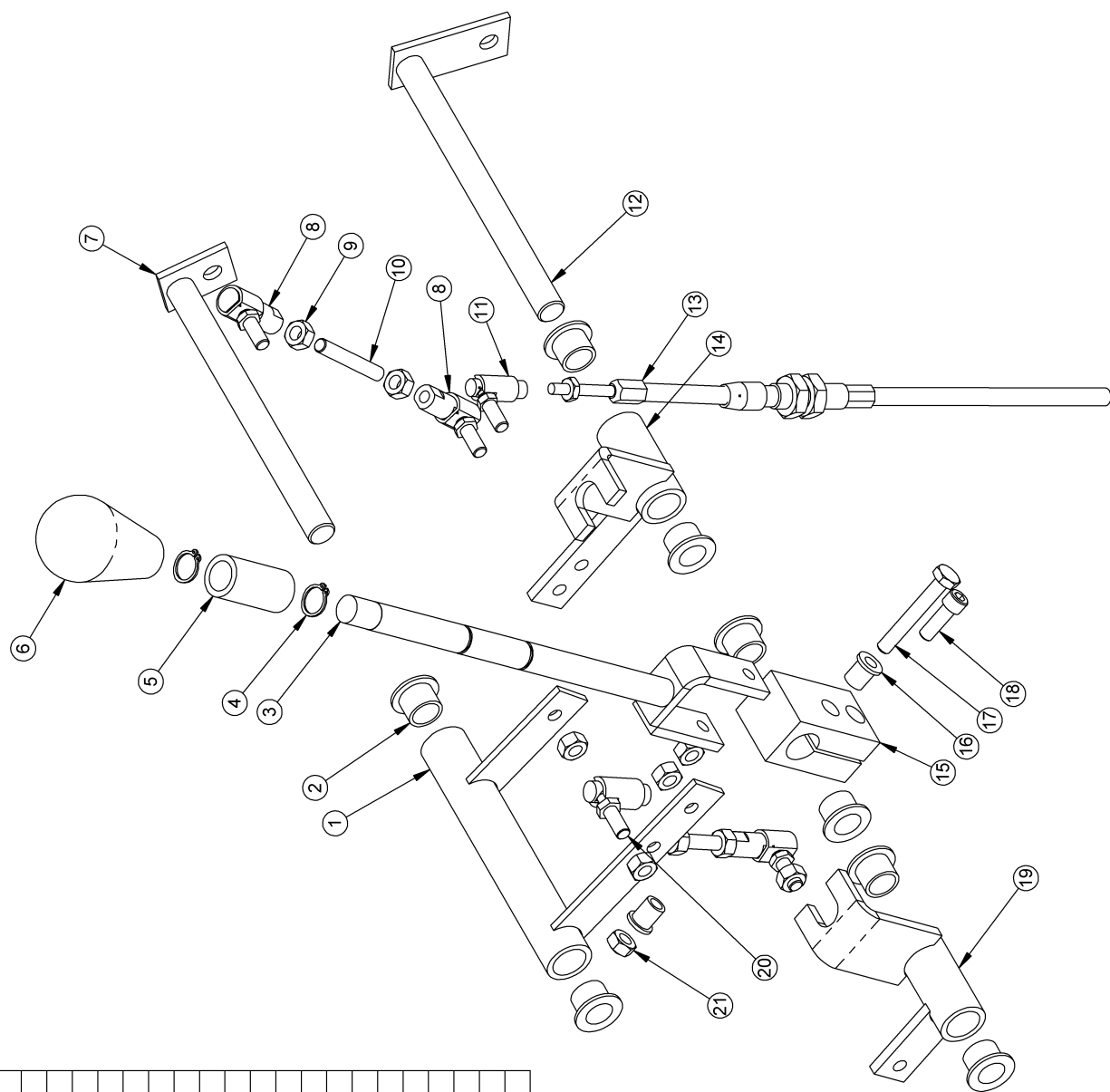
- ① FOR 1824, USE PART NO. 01518-B (LEVER, CHAIN CONTROL, 18 HP)
- ② FOR 1824, USE PART NO. 01517-B (PUSH ROD, CHAIN VALVE, 18 HP)

BARRETO

TITLE: CHAIN VALVE LINKAGE

PRODUCT LINE: 1324/1624/1824 DATE: 12/17/07
 SCALE: 1:4.3 DWG# 00434
 SHEET 1 OF 1

REF.	QTY.	PART NO.	DESCRIPTION
1	1	01512	SPEED CONTROL LINKAGE
2	8	03501	BUSHING, IGUS MFI-0810-08
3	1	01510	SPEED CONTROL
4	2	05506	SNAP RING, 1/2" EXTERNAL, SH-50
5	1	02605	SPEED LEVER ROLLER
6	1	03508	SPEED KNOB
7	1	01513-6	LINKAGE PIN, 6", SHORT TAB
8	3	03511	BALL JOINT, 1/4-28 UNF
9	9	05267	NUT, 1/4-28 NF ZINC
10	2	05503	SH SET SCREW, 1/4-28 X 1-3/4 PLN
11	1	03510	BALL JOINT, 1/4-28 NF, 10-32, DETACHABLE
12	1	01514	LINKAGE PIN, LONG TAB
13	1	03516	CABLE, WHEEL SPEED
14	1	01511-R	SHIFT FORK, RIGHT
15	1	02500	CLAMP, SPEED LEVER
16	2	03029-04	BUSHING, MICRO PLASTICS, 12SWS1048
17	1	05243	HH CAP SCREW, 1/4-28 NF X 1-3/4 G5 ZINC
18	1	05235	SH CAP SCREW, 1/4-28 NF X 3/4 PLAIN
19	1	01511-L	SHIFT FORK, LEFT
20	1	03513	BALL JOINT, 1/4 NF, DETACHABLE
21	1	05266	NUT, GRIPCO, 1/4-28 NF G5 ZINC



BARRETO

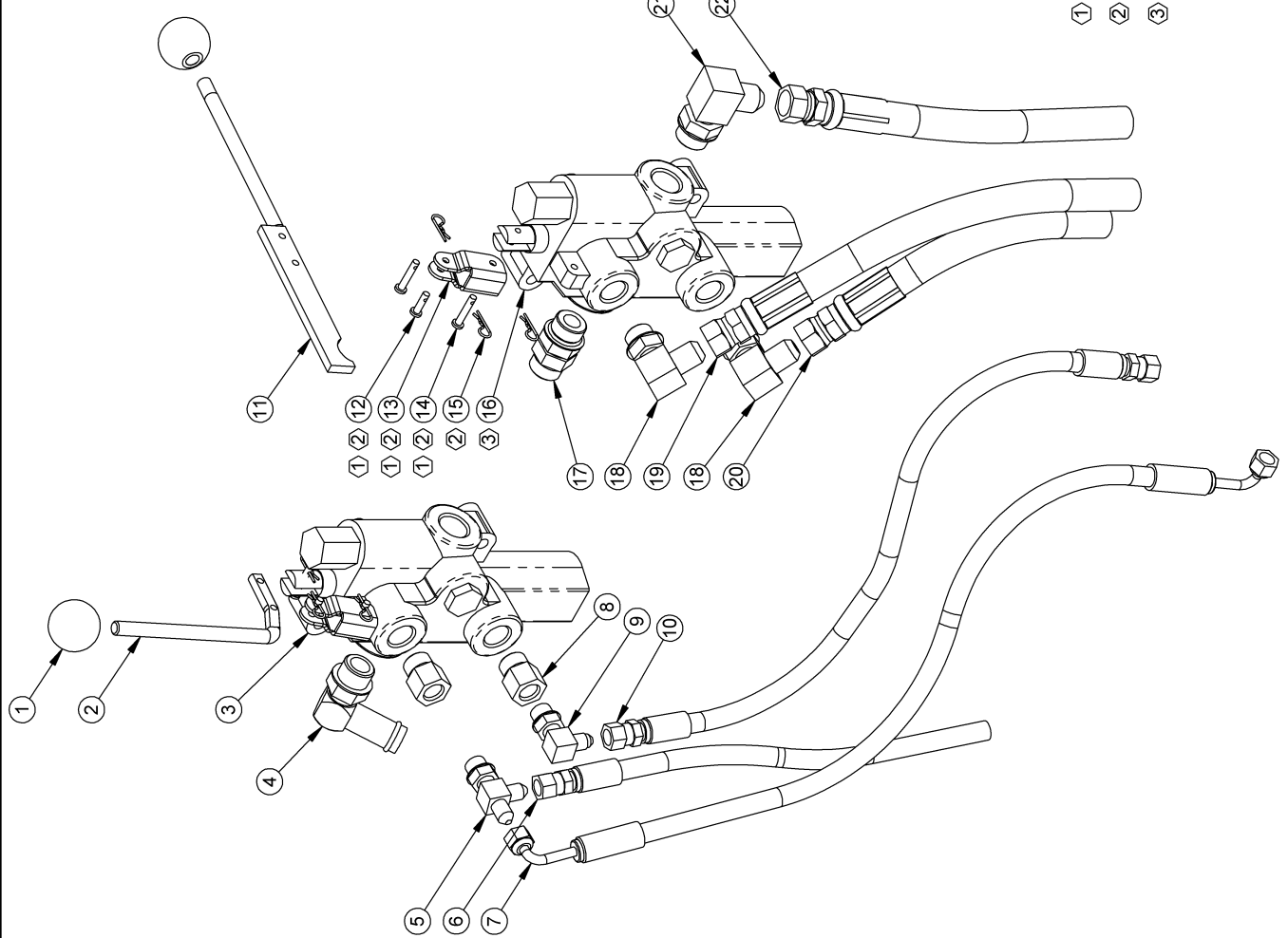
TITLE: SPEED CONTROL

PRODUCT LINE: 1324/1624/1824 DATE: 4/28/08

SCALE: 1:2.8 DWG# 00435

SHEET 1 OF 1

REF.	QTY.	PART NO.	DESCRIPTION
1	2	03507	KNOB, 3/8-NC
2	1	01523	CYLINDER LEVER
3	1	04512	VALVE RD-2508-T4
4	1	04523	FITTING, 4601-12-10
5	1	04564	FITTING, 6804-4-6-4
6	1	04552-01	HOSE, 1/4 X 43 SINGLE BRAID
7	1	10494	HOSE, T-VALVE PORT A TO CB-VALVE 3
8	2	04529	FITTING, 6410-8-6
9	1	04527-01	FITTING, 6801-4-6
10	1	10495	HOSE, T-VALVE PORT B TO CB-VALVE 2
11	1	01520	LEVER, CHAIN VALVE
12	2	03509-01	CLEVIS PIN, 3/16 X 7/16
13	2	03509-04	BRACKET
14	4	03509-02	CLEVIS PIN, 3/16 X 3/4
15	6	05310	HAIR SPRING COTTER #2
16	1	04513-D	VALVE RD-2508-M4, 13 & 16 HP
17	1	04521	FITTING, 6407-10-10
18	2	04554	FITTING, 6801-8-8
19	1	04549-01	HOSE, M-VALVE PORT A TO DIG CHAIN MOTOR UPPER PORT
20	1	04550-01	HOSE, M-VALVE PORT B TO DIG CHAIN MOTOR LOWER PORT
21	1	04211	FITTING, 6801-8-10
22	1	04551-01	HOSE, PUMP TO VALVES

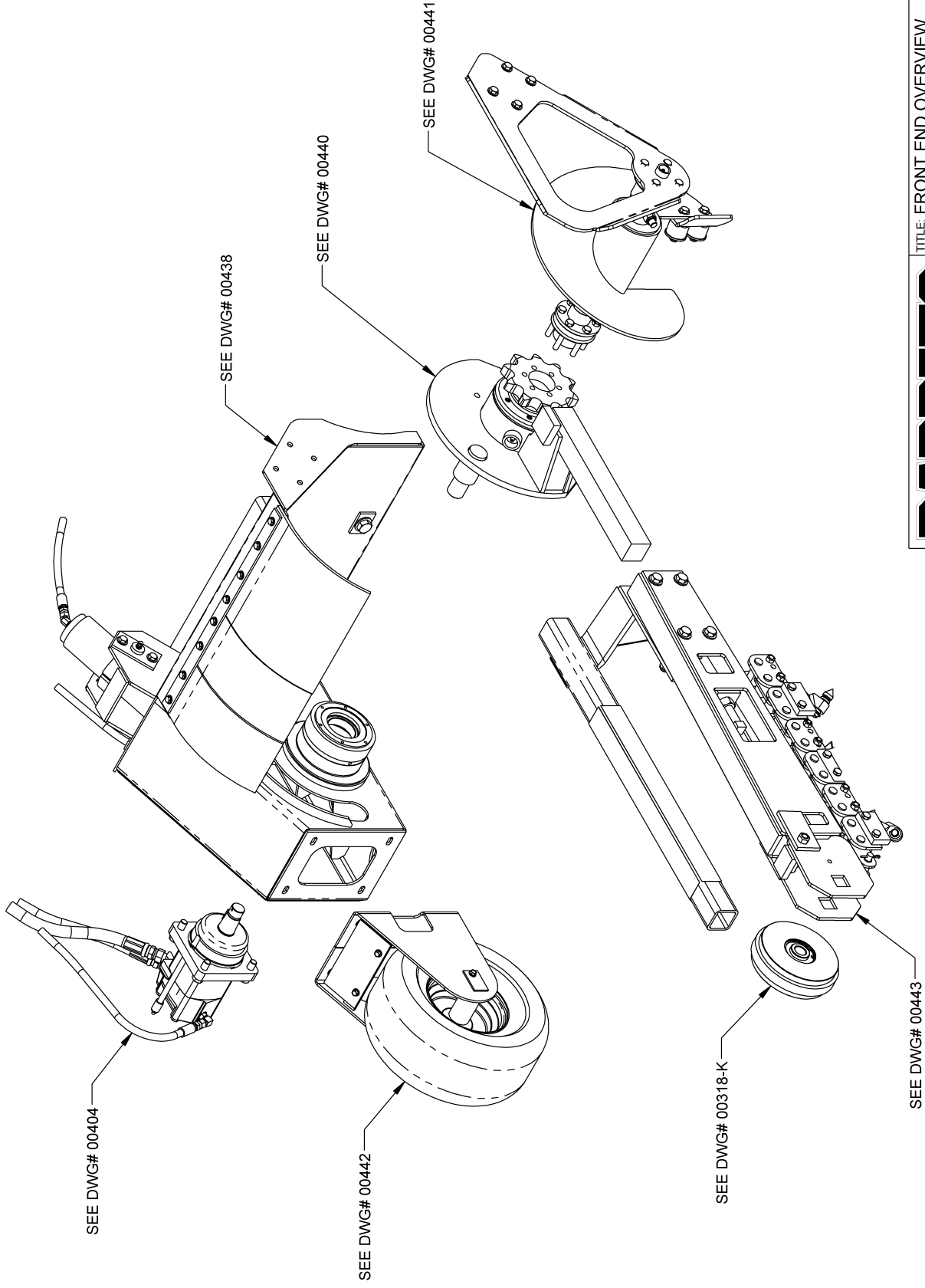


NOTES:

- ① ITEMS INDICATED COME WITH VALVE.
- ② ITEMS INDICATED MAY BE ORDERED AS A KIT, PART NUMBER 03509 (VALVE PIN KIT).
- ③ FOR 1824, USE PART NO. 04509 (VALVE, RD-4100-M4, 18 HP).

BARRETO

TITLE: CHAIN & CYLINDER CONTROL VALVES
 PRODUCT LINE: 1324/1624/1824 DATE: 12/17/07
 SCALE: 1:4.5 DWG# 00436
 SHEET 1 OF 1



TITLE: FRONT END OVERVIEW

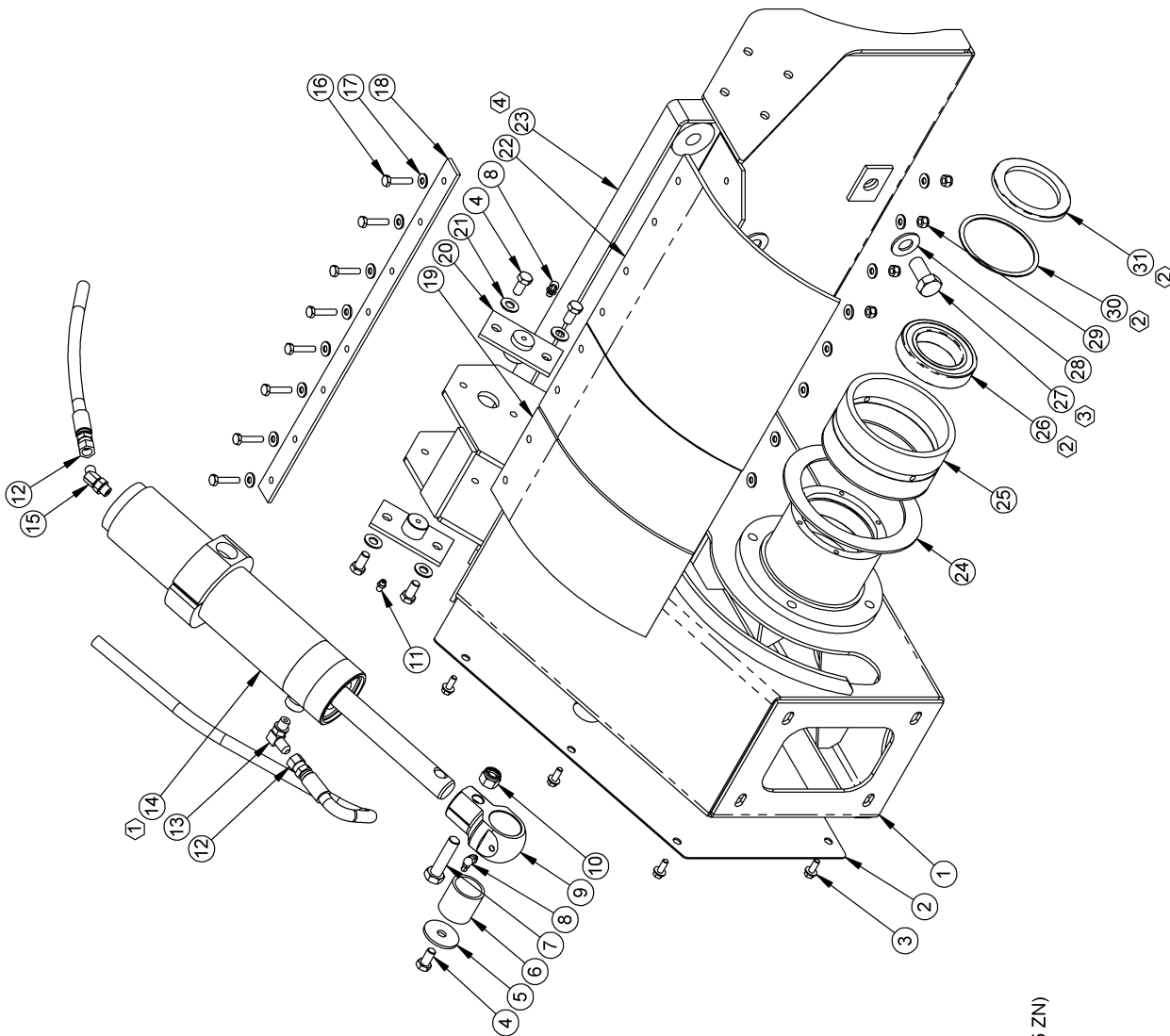
PRODUCT LINE: 1324/1624/1824 DATE: 1/10/08

SCALE: 1:10

SHEET 1 OF 1 DWG# 00437

BARRETO

REF. QTY.	PART NO.	DESCRIPTION
1	01750	FRAME, FRONT END
2	01751	COVER, 2000 MOTOR
3	05069	WHIZ LOCK, 1/4-20 NC X 5/8 ZINC
4	05057	HH CAP SCREW, 3/8-16 NC X 3/4 G5 ZINC
5	01622	WASHER, 13/32 X 1-5/8 X 11 GA
6	03502	BUSHING, CONNEX # 150-125-150
7	05251	HH CAP SCREW, 1/2-20 NF X 2 G5 ZINC
8	05307	GREASE ZERK, 1/4-28 UNF 90°
9	02616	CYLINDER ROD END
10	05075	NUT, NYLOCK, 1/2-20 NF ZINC
11	05044	GREASE ZERK, 1/4-28 UNF
12	04552-01	HOSE, 1/4 X 43 SINGLE BRAID
13	04555	FITTING, 6801-4-4
14	02700-ASML	CYLINDER ASSEMBLY
15	04218	FITTING, 6802-4-4
16	05125	HH CAP SCREW, 1/4-20 NC X 1-1/4 G5 ZINC
17	05081	WASHER, 1/4 SAE ZINC
18	01640	FLAP KEEPER
19	03901	CHAIN FLAP
20	01616	CYLINDER PIN
21	05103	WASHER, 3/8 A325 HARDENED ZINC
22	03900	AUGER FLAP
23	01612	SPACER, FRONT END, BIG WHEEL
24	02704	THRUST WASHER, 4-15/16 X 6-1/2 X 1/8 NYLATRON
25	02703	PIVOT BUSHING
26	03285-A	ROLLER BEARING, SKF NU 1011 EC
27	05260	HH CAP SCREW, 5/8-11 NC X 1-1/4 G5 ZINC
28	05272	WASHER, 5/8 SAE ZINC HARDENED
29	05096	NUT, NYLOCK, 1/4-20 NC ZINC
30	05604	SMALLEY RING WH-362
31	03935	SEAL



- ① REFERENCE DWG# 02700-ASML FOR INDIVIDUAL PARTS.
- ② INCLUDED WITH CHAIN DRIVE HUB & MOTOR REPLACEMENT KIT. REFERENCE DWG# 04500-H-K.
- ③ FOR WIDE TIRE MODELS, USE PART NO. 05335 (HHCS, 5/8-11 NC X 2-1/2 G5 ZN)
- ④ FOR WIDE TIRE MODELS ONLY.

BARRETO

TITLE: FRONT END, FRAME

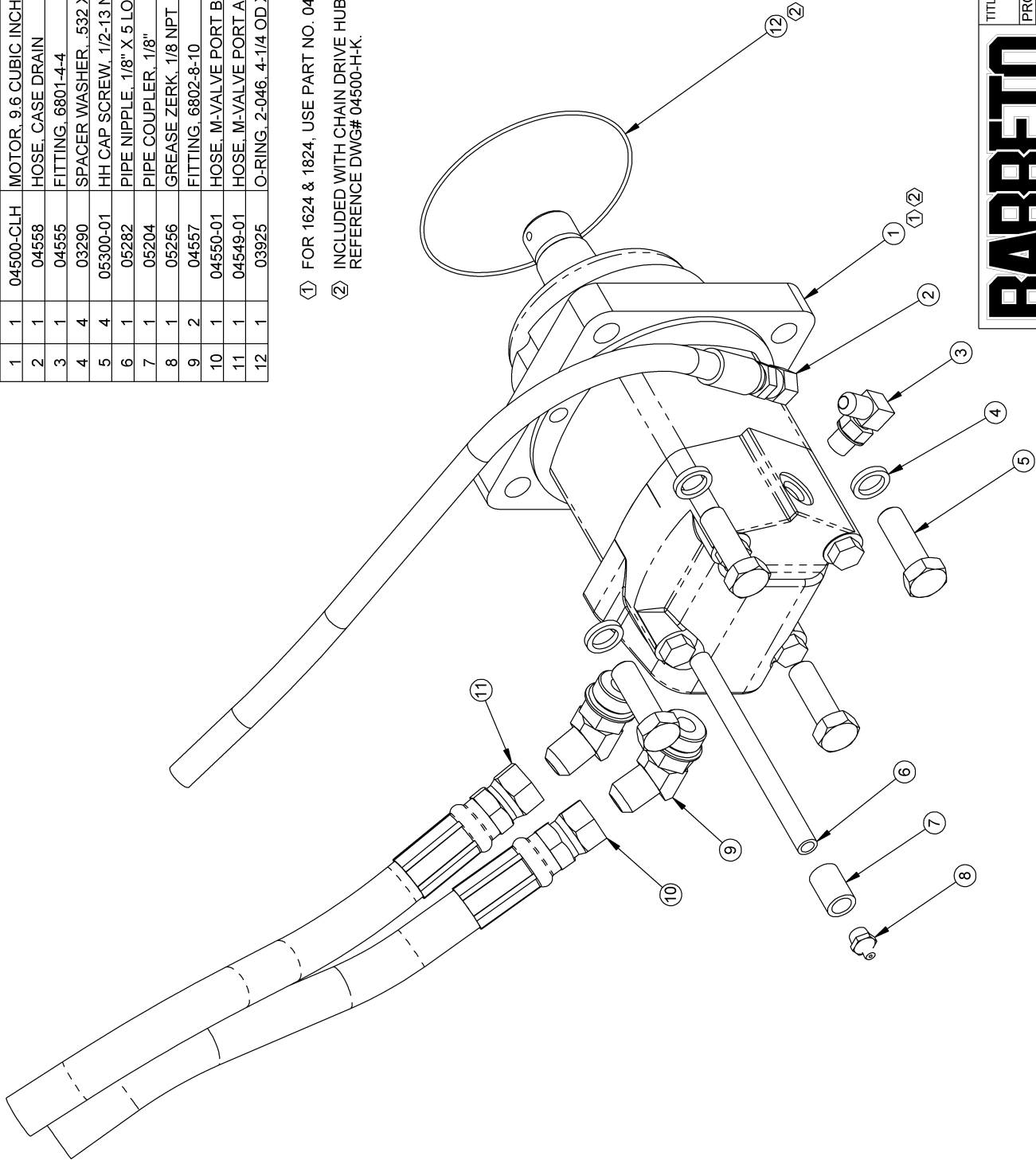
PRODUCT LINE: 1324/1624/1824 DATE: 4/29/08

SCALE: 1:1.3 DWG# 00438

SHEET 1 OF 1

REF. QTY.	PART NO.	DESCRIPTION
1	04500-CLH	MOTOR, 9.6 CUBIC INCH (1324)
2	04558	HOSE, CASE DRAIN
3	04555	FITTING, 6801-4-4
4	03290	SPACER WASHER, .532 X .750 X .125
5	05300-01	HH CAP SCREW, 1/2-13 NC X 1-1/2 G5 ZINC
6	05282	PIPE NIPPLE, 1/8" X 5 LONG
7	05204	PIPE COUPLER, 1/8"
8	05256	GREASE ZERK, 1/8 NPT
9	04557	FITTING, 6802-8-10
10	04550-01	HOSE, M-VALVE PORT B TO DIG CHAIN MOTOR LOWER PORT
11	04549-01	HOSE, M-VALVE PORT A TO DIG CHAIN MOTOR UPPER PORT
12	03925	O-RING, 2-046, 4-1/4 OD X 1/16 SECTION

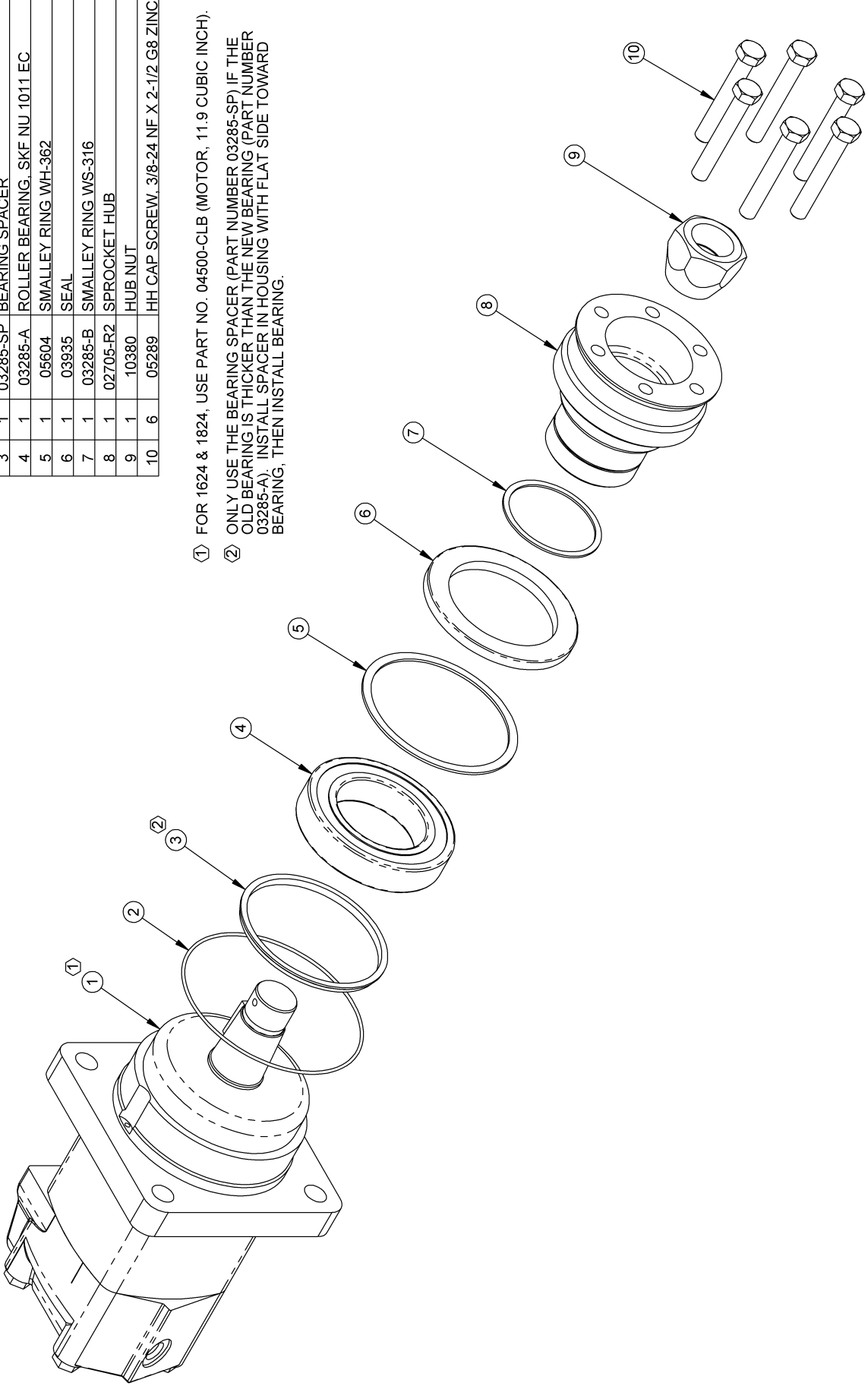
- ① FOR 1624 & 1824, USE PART NO. 04500-CLB (MOTOR, 11.9 CUBIC INCH)
- ② INCLUDED WITH CHAIN DRIVE HUB & MOTOR REPLACEMENT KIT. REFERENCE DWG# 04500-H-K.



BARRETO

TITLE: FRONT END, MOTOR, 2000 SERIES
 PRODUCT LINE: 1324/1624/1824 DATE: 12/17/07
 SCALE: 1:2.7 DWG# 00439
 SHEET 1 OF 1

REF. QTY.	PART NO.	DESCRIPTION
1	04500-CLH	MOTOR, 9.6 CUBIC INCH (1324)
2	03925	O-RING, 2-046, 4-1/4 OD X 1/16 SECTION
3	03285-SP	BEARING SPACER
4	03285-A	ROLLER BEARING, SKF NU 1011 EC
5	05604	SMALLEY RING WH-362
6	03935	SEAL
7	03285-B	SMALLEY RING WS-316
8	02705-R2	SPROCKET HUB
9	10380	HUB NUT
10	05289	HH CAP SCREW, 3/8-24 NF X 2-1/2 G8 ZINC



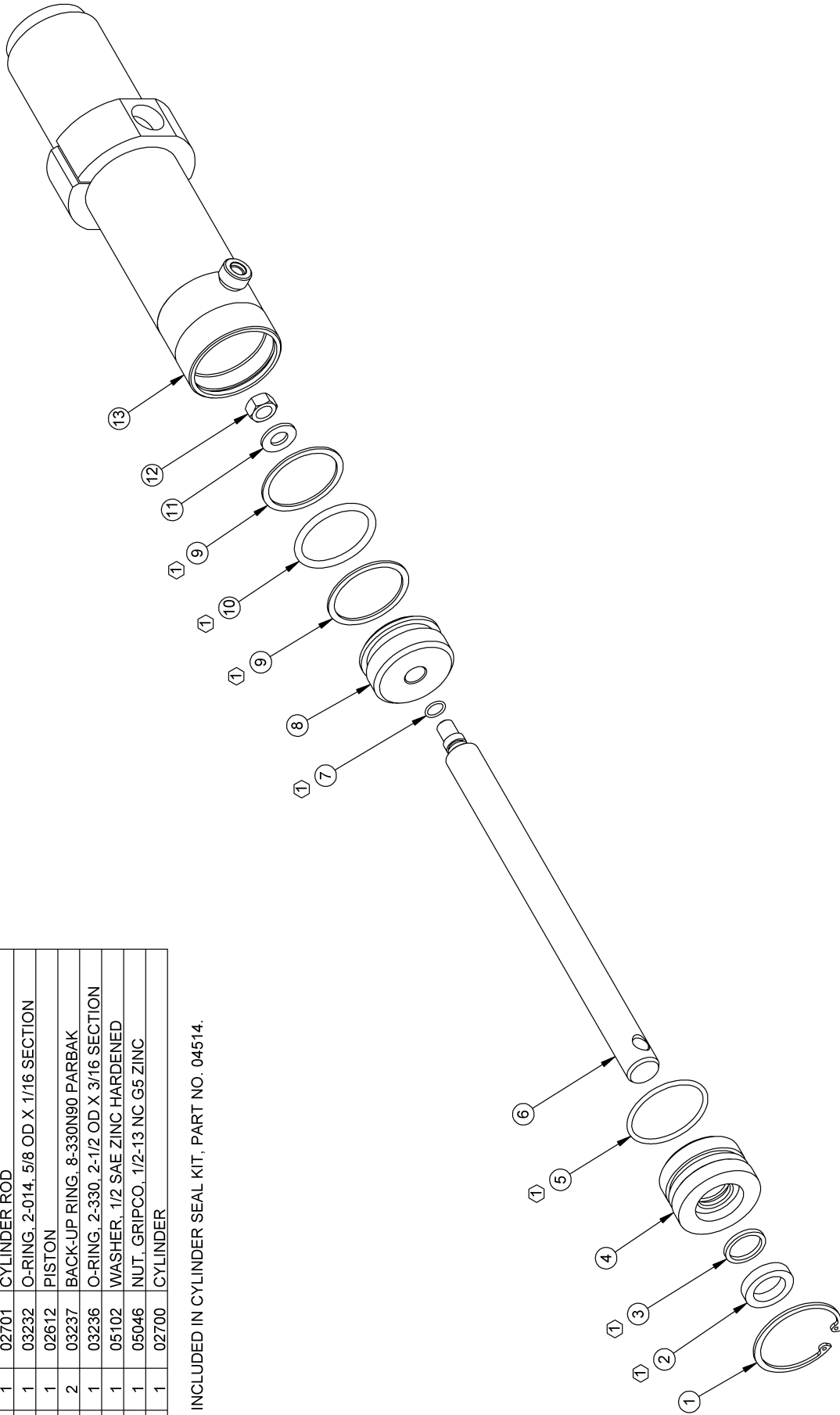
- ① FOR 1624 & 1824, USE PART NO. 04500-CLB (MOTOR, 11.9 CUBIC INCH).
- ② ONLY USE THE BEARING SPACER (PART NUMBER 03285-SP) IF THE OLD BEARING IS THICKER THAN THE NEW BEARING (PART NUMBER 03285-A). INSTALL SPACER IN HOUSING WITH FLAT SIDE TOWARD BEARING, THEN INSTALL BEARING.

BARRETO

TITLE: CHAIN DRIVE HUB & MOTOR
REPLACEMENT KIT - UPS ONLY
PRODUCT LINE: 1324/1624/1824 DATE: 1/22/08
SCALE: 1:3 SHEET 1 OF 1 DWG# 04500-H-K

REF. QTY.	PART NO.	DESCRIPTION
1	05211	SNAP RING, HO-256, 2-9/16 INTERNAL ZINC
2	03255	WIPER, 1 X 1-1/2 X 5/16 J-1000
3	03259	SEAL, 1x1/8x1/8 ROD
4	02613	CYLINDER END
5	03234	O-RING, 2-228, 2-1/2 OD X 1/8 SECTION
6	02701	CYLINDER ROD
7	03232	O-RING, 2-014, 5/8 OD X 1/16 SECTION
8	02612	PISTON
9	03237	BACK-UP RING, 8-330N90 PARBAK
10	03236	O-RING, 2-330, 2-1/2 OD X 3/16 SECTION
11	05102	WASHER, 1/2 SAE ZINC HARDENED
12	05046	NUT, GRIPCO, 1/2-13 NC G5 ZINC
13	02700	CYLINDER

① INCLUDED IN CYLINDER SEAL KIT, PART NO. 04514.



TITLE: CYLINDER ASSEMBLY

PRODUCT LINE: COMMON DATE: 7/2/07

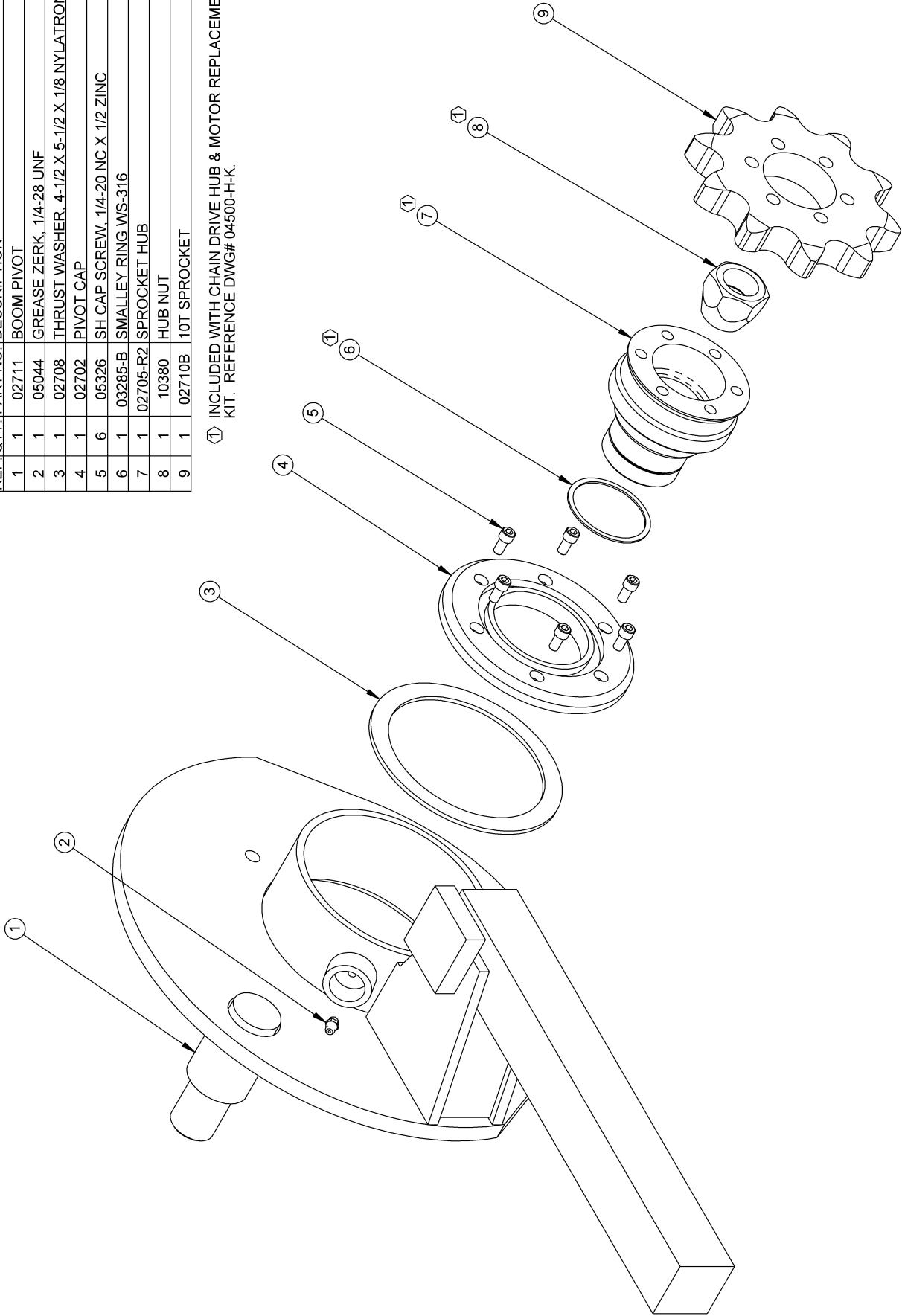
SCALE: 1:4

SHEET 1 OF 1 DWG# 02700-ASML

BARRETO

REF. QTY.	PART NO.	DESCRIPTION
1	02711	BOOM PIVOT
2	05044	GREASE ZERK, 1/4-28 UNF
3	02708	THRUST WASHER, 4-1/2 X 5-1/2 X 1/8 NYLATRON
4	02702	PIVOT CAP
5	05326	SH CAP SCREW, 1/4-20 NC X 1/2 ZINC
6	03285-B	SMALLEY RING WS-316
7	02705-R2	SPROCKET HUB
8	10380	HUB NUT
9	02710B	10T SPROCKET

① INCLUDED WITH CHAIN DRIVE HUB & MOTOR REPLACEMENT KIT. REFERENCE DWG# 04500-H-K.



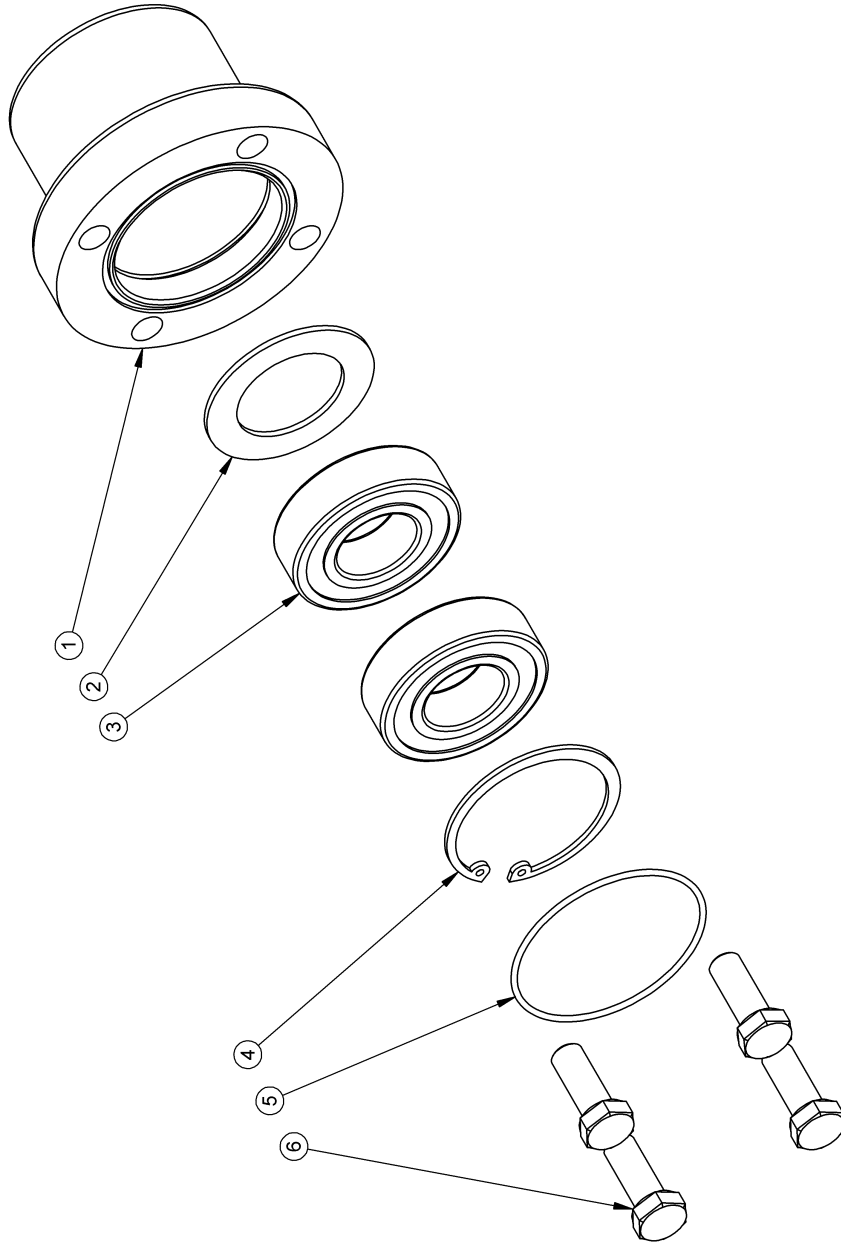
BARRETO

TITLE: FRONT END, BOOM PIVOT

PRODUCT LINE: 1324/1624/1824 DATE: 12/17/07

SCALE: 1:3.5 DWG# 00440
SHEET 1 OF 1

REF. QTY.	PART NO.	DESCRIPTION
1	10142	OUTBOARD BEARING HOUSING, 4 BOLT
2	01026	SHIELD, OUTBOARD BEARING
3	03043	BALL BEARING, 6205
4	05024	SNAP RING, HO-200, 2" INTERNAL
5	03904	O-RING, 2-035, 2-3/8 OD X 1/16 SECTION
6	05059	HH CAP SCREW, 3/8-16 NC X 1 G5 ZINC



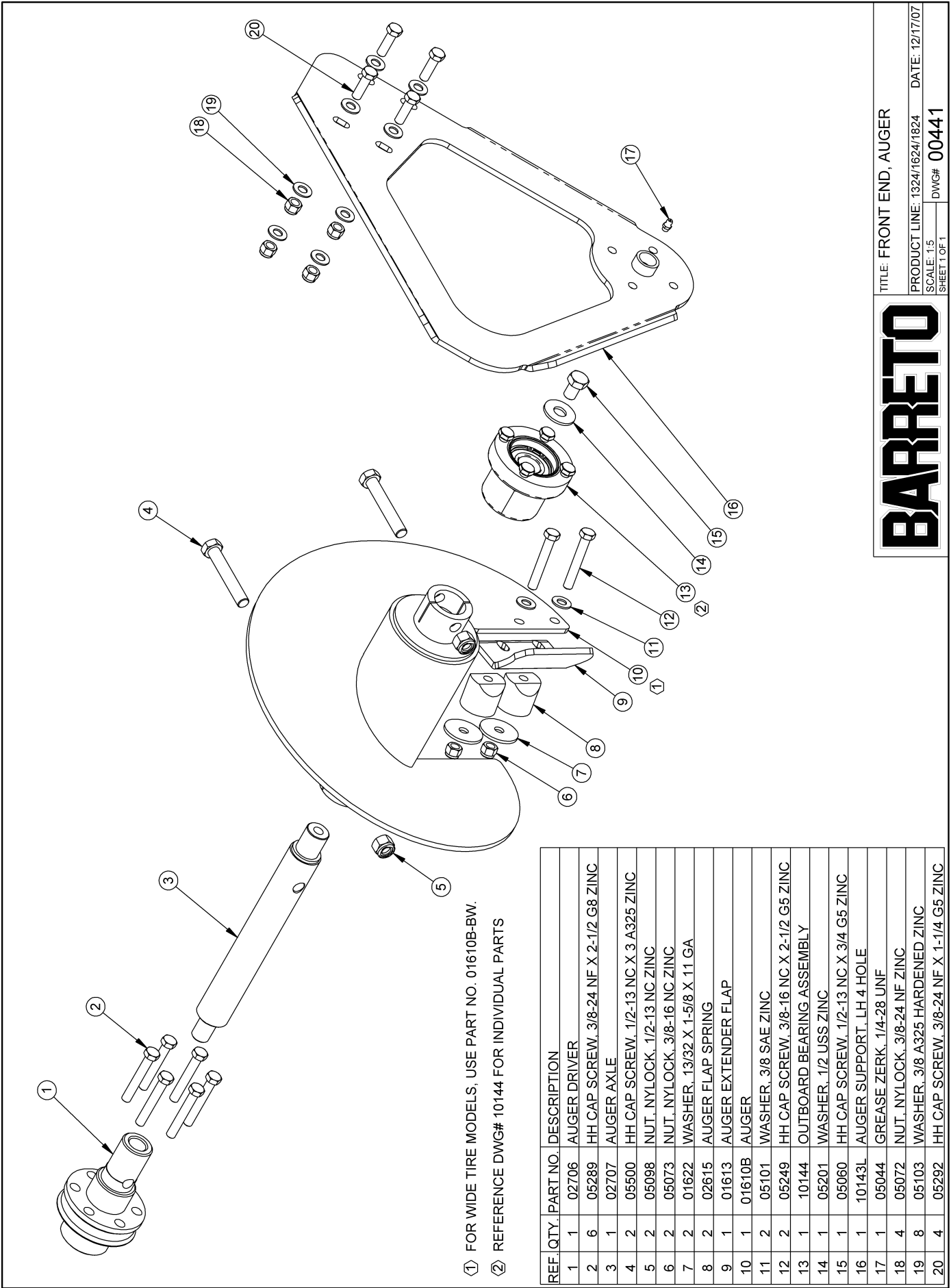
BARRETO

TITLE: OUTBOARD BEARING ASSEMBLY,
4 BOLT

PRODUCT LINE: COMMON DATE: 3/2/04

SCALE: 1:2 DWG# 10144

SHEET 1 OF 1



① FOR WIDE TIRE MODELS, USE PART NO. 01610B-BW.
 ② REFERENCE DWG# 10144 FOR INDIVIDUAL PARTS

REF. QTY.	PART NO.	DESCRIPTION
1	02706	AUGER DRIVER
2	05289	HH CAP SCREW, 3/8-24 NF X 2-1/2 G8 ZINC
3	02707	AUGER AXLE
4	05500	HH CAP SCREW, 1/2-13 NC X 3 A325 ZINC
5	05098	NUT, NYLOCK, 1/2-13 NC ZINC
6	05073	NUT, NYLOCK, 3/8-16 NC ZINC
7	01622	WASHER, 13/32 X 1-5/8 X 11 GA
8	02615	AUGER FLAP SPRING
9	01613	AUGER EXTENDER FLAP
10	01610B	AUGER
11	05101	WASHER, 3/8 SAE ZINC
12	05249	HH CAP SCREW, 3/8-16 NC X 2-1/2 G5 ZINC
13	10144	OUTBOARD BEARING ASSEMBLY
14	05201	WASHER, 1/2 USS ZINC
15	05060	HH CAP SCREW, 1/2-13 NC X 3/4 G5 ZINC
16	10143L	AUGER SUPPORT, LH 4 HOLE
17	05044	GREASE ZERK, 1/4-28 UNF
18	05072	NUT, NYLOCK, 3/8-24 NF ZINC
19	05103	WASHER, 3/8 A325 HARDENED ZINC
20	05292	HH CAP SCREW, 3/8-24 NF X 1-1/4 G5 ZINC

TITLE: FRONT END, AUGER

PRODUCT LINE: 1324/1624/1824 DATE: 12/17/07
 SCALE: 1:5 SHEET 1 OF 1 DWG# 00441

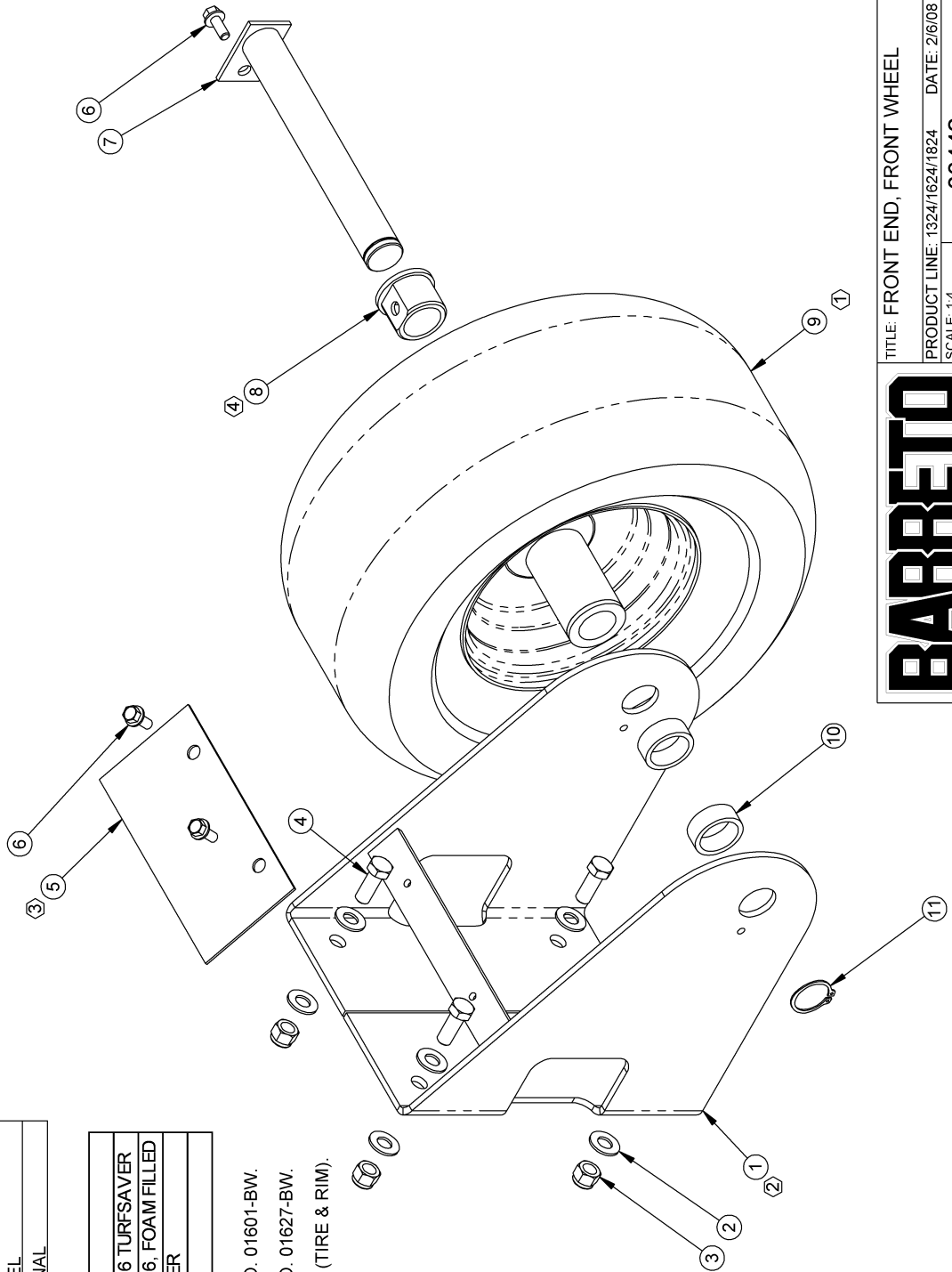


REF.	QTY.	PART NO.	DESCRIPTION
1	1	01601	FRONT WHEEL HOUSING
2	8	05101	WASHER, 3/8 SAE ZINC
3	4	05072	NUT, NYLOCK, 3/8-24 NF ZINC
4	4	05056	HH CAP SCREW, 3/8-24 NF X 1 G5 ZINC
5	1	01627	COVER, WHEEL HOUSING
6	3	05069	WHIZ LOCK, 1/4-20 NC X 5/8 ZINC
7	1	01602	AXLE, FRONT WHEEL
8	1	03213-1	BUSHINGS, FRONT WHEEL (SOLD IN PAIRS)
9	1	03213	TIRE & RIM, TRENCHER FRONT END
10	2	01603	SPACER, FRONT WHEEL
11	1	05010	SNAP RING, 1" EXTERNAL

① TIRE OPTIONS

PART NO.	DESCRIPTION
03213	TIRE & RIM, FRONT END, 13 X 6.50 -6 TURFSAVER
03213-F	TIRE & RIM, FRONT END, 13 X 6.50 -6, FOAM FILLED
03214	TIRE ONLY, 13 X 6.50 -6 TURFSAVER
03215	RIM ONLY, FOR 13 X 6.50 -6 TIRE

- ② FOR WIDE TIRE MODELS, USE PART NO. 01601-BW.
- ③ FOR WIDE TIRE MODELS, USE PART NO. 01627-BW.
- ④ 03213-1 (BUSHINGS) COME WITH 03213 (TIRE & RIM).



BARRETO

TITLE: FRONT END, FRONT WHEEL

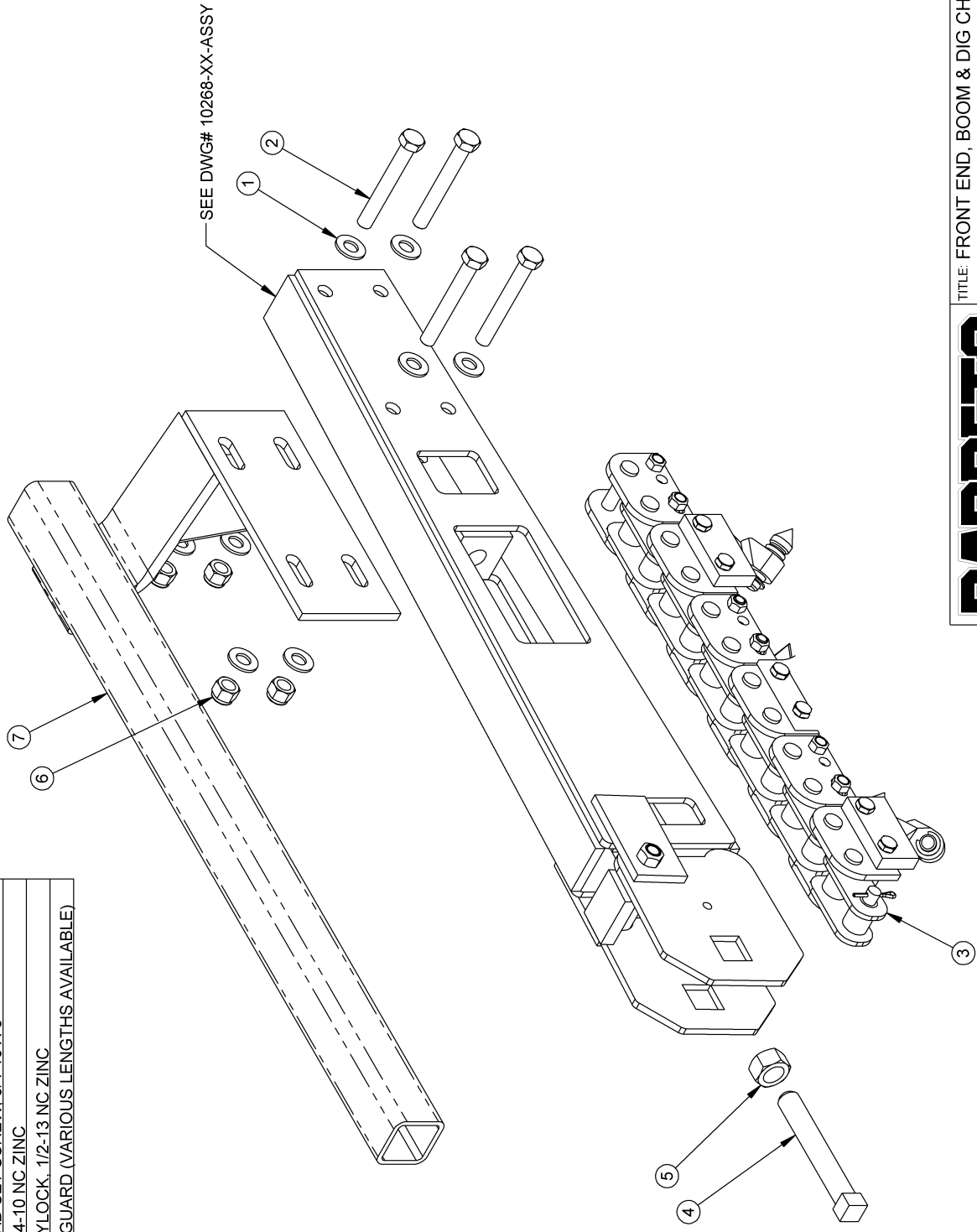
PRODUCT LINE: 1324/1624/1824 DATE: 2/6/08

SCALE: 1:4

SHEET 1 OF 1

DWG# 00442

REF. QTY.	PART NO.	DESCRIPTION
1	05102	WASHER, 1/2 SAE ZINC HARDENED
2	05253	HH CAP SCREW, 1/2-13 NC X 3-3/4 G5 ZINC
3	1	DIG CHAIN (MANY OPTIONS AVAILABLE)
4	05230	SQ. HEAD SET SCREW, 3/4-10 X 5
5	05231	NUT, 3/4-10 NC ZINC
6	05098	NUT, NYLOCK, 1/2-13 NC ZINC
7	01607-XX	BOOM GUARD (VARIOUS LENGTHS AVAILABLE)

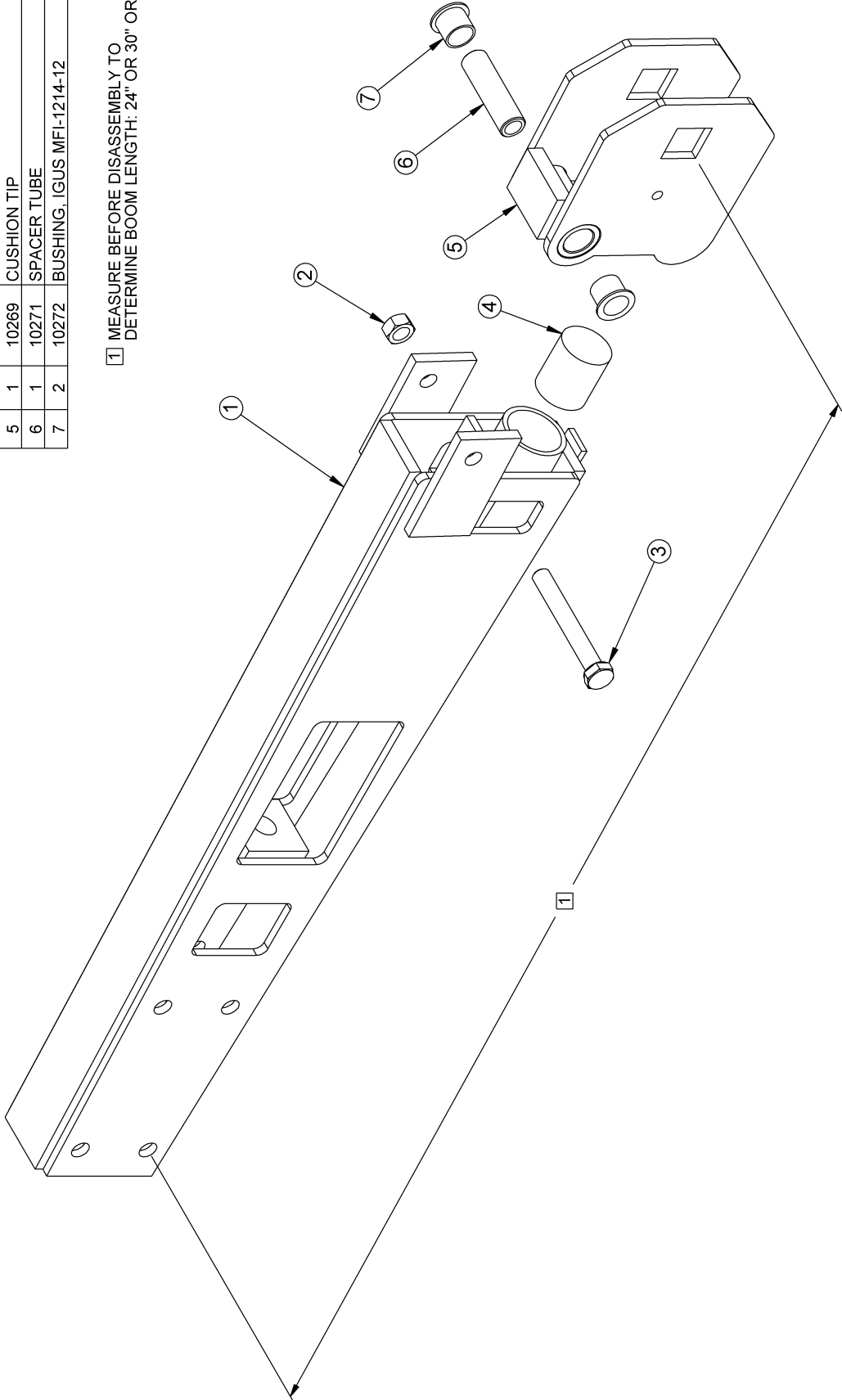


BARRETO

TITLE: FRONT END, BOOM & DIG CHAIN
 PRODUCT LINE: 1324/1624/1824 DATE: 1/10/08
 SCALE: 1:5 DWG# 00443
 SHEET 1 OF 1

REF. QTY.	PART NO.	DESCRIPTION
1	10268-XX	CUSHION BOOM, 24" OR 30" OR 36"
2	05046	NUT, GRIPCO, 1/2-13 NC G5 ZINC
3	05253	HH CAP SCREW, 1/2-13 NC X 3-3/4 G5 ZINC
4	10270	CUSHION BOOM
5	10269	CUSHION TIP
6	10271	SPACER TUBE
7	10272	BUSHING, IGUS MFI-1214-12

1 MEASURE BEFORE DISASSEMBLY TO DETERMINE BOOM LENGTH: 24" OR 30" OR 36".

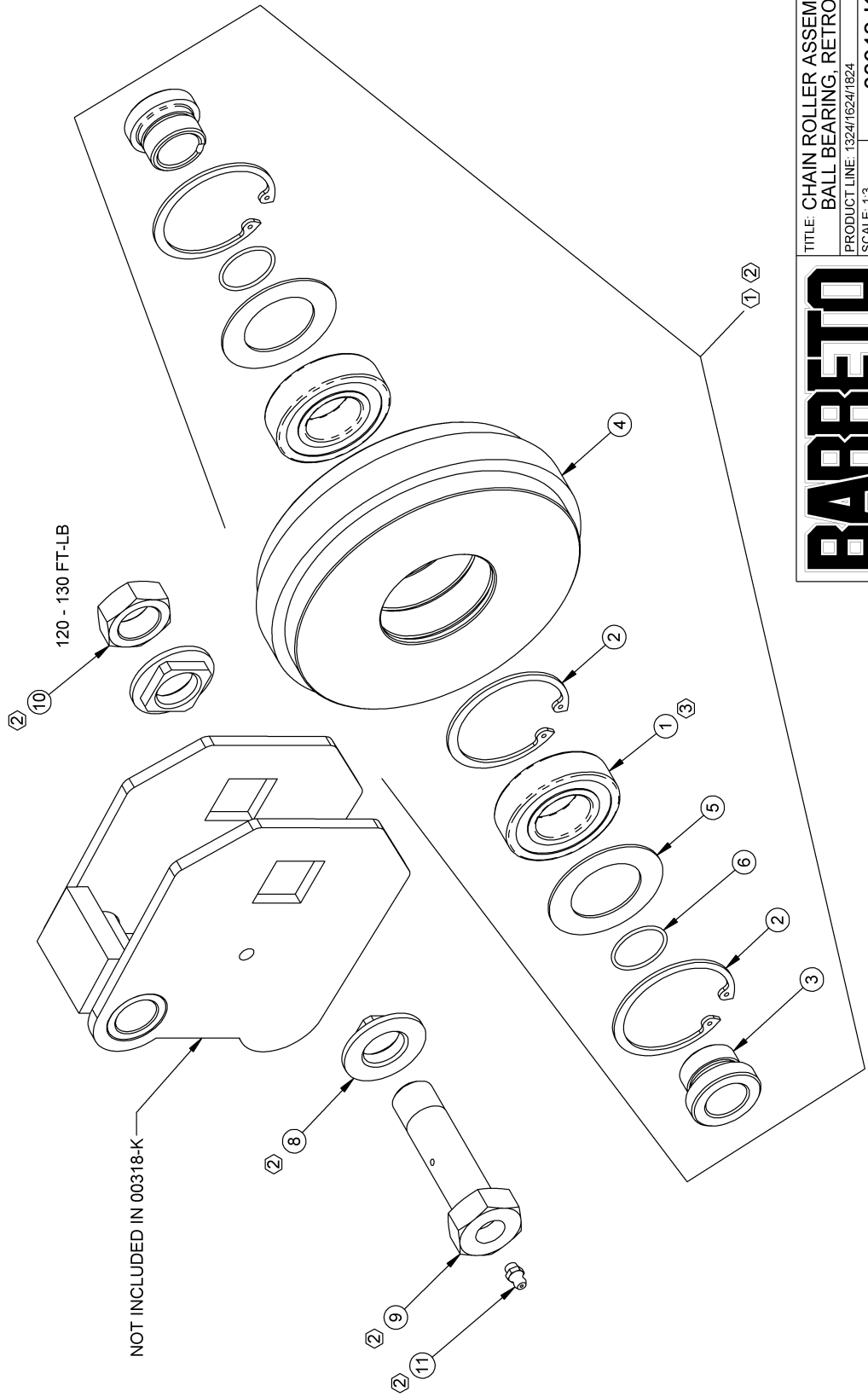


BARRETO

TITLE: CUSHION BOOM ASSEMBLY,
24" OR 30" OR 36"
PRODUCT LINE: 1324/1624/1824 DATE: 12/17/07
SCALE: 1:4 DWG# 10268-XX-ASSY
SHEET 1 OF 1

REF. QTY.	PART NO.	DESCRIPTION
1	2	03280 BALL BEARING, SKF 6206
2	3	10742 SNAP RING, HO-244, 2-7/16 INTERNAL
3	2	10743 SPACER
4	1	02621-B CHAIN ROLLER, BALL BRG
5	2	10745 THRUST WASHER, 1.501 X 2.434 X .060 ZINC
6	2	10858 O-RING, 2-023, 1-13/16 OD X 1/16 SECTION
8	2	10857 ROLLER AXLE LOCATOR, RETROFIT
9	1	10848-M BOOM ROLLER AXLE, RETROFIT
10	1	05597 JAM NUT, GRIPCO 7/8 - 9
11	1	05044 GREASE ZERK, 1/4-28 UNF

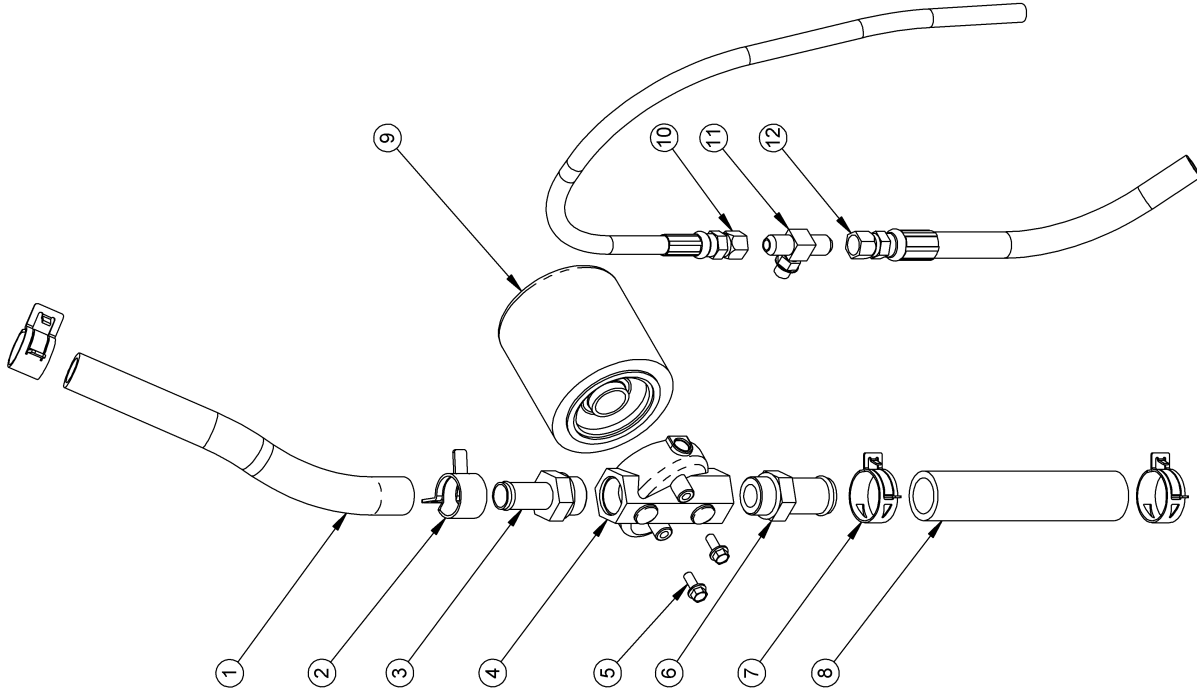
- ① ALL INDICATED ITEMS INCLUDED IN PART NUMBER 00318 (CHAIN ROLLER ASSEMBLY).
- ② ALL ITEMS LISTED IN THE BILL OF MATERIALS MAY BE ORDERED AS A KIT, PART NUMBER 00318-K.
- ③ REMOVE ONE SEAL FROM EACH BALL BEARING. INSTALL BEARINGS WITH REMAINING SEAL FACING OUT.



BARRETO

TITLE: CHAIN ROLLER ASSEMBLY,
BALL BEARING, RETROFIT KIT
PRODUCT LINE: 1324/1624/1824 DATE: 2/16/08
SCALE: 1:3 DWG# 00318-K
SHEET 1 OF 1

REF. QTY.	PART NO.	DESCRIPTION
1	04542	HOSE, VALVE TO FILTER
2	05008	CLAMP, 1" HOSE, CTB-29
3	04219	FITTING, 4604-12-12
4	04212-OR-TL	OIL FILTER MOUNT
5	05069	WHIZ LOCK, 1/4-20 NC X 5/8 ZINC
6	04217	FITTING, 4604-16-12
7	05225	CLAMP, 1-1/2" HOSE, CTB-36 ST
8	04541	HOSE, 1 X 6-1/2, RETURN TO TANK
9	03951	FILTER, HYDRAULIC OIL, WITH BY-PASS
10	04558	HOSE, CASE DRAIN
11	10408	FITTING, 6803-6-6-4
12	04543	HOSE, HYDROSTAT TO FILTER



TITLE: FILTER & RETURN HOSE

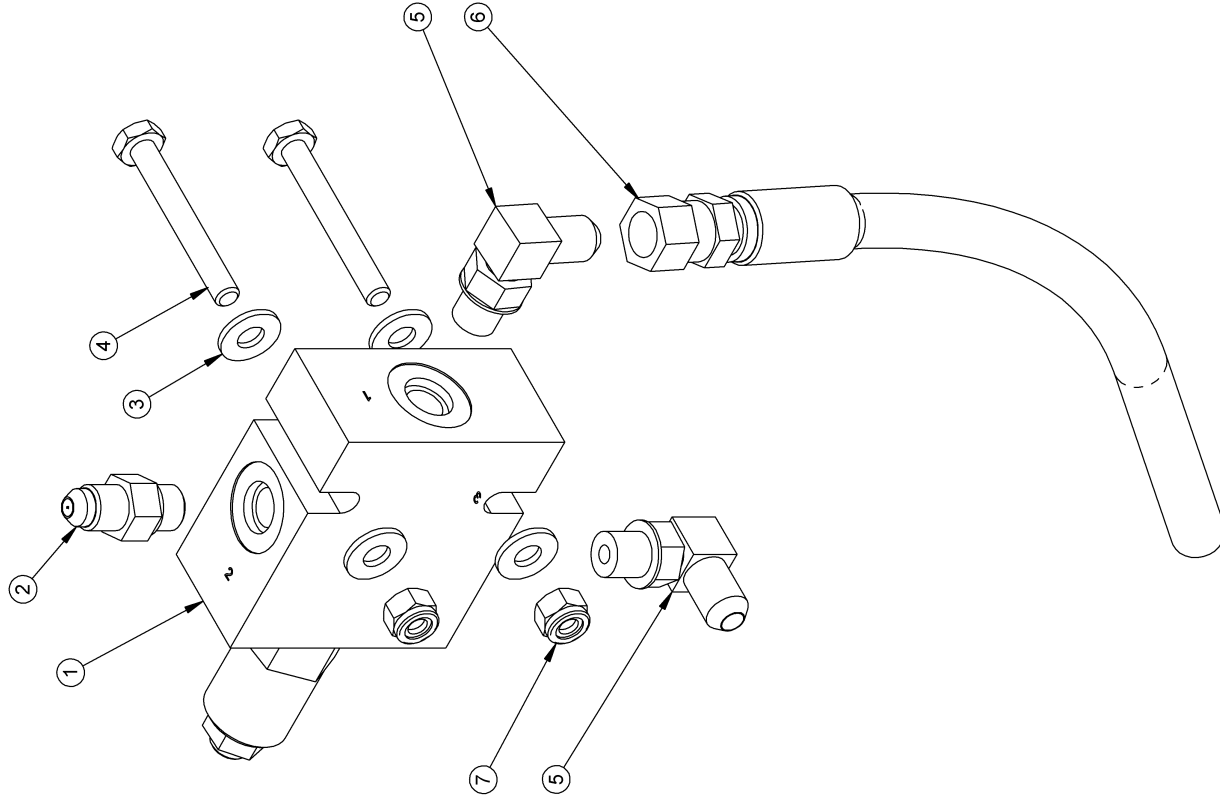
PRODUCT LINE: 1324/1624/1824 DATE: 1/10/08

SCALE: 1:5

SHEET 1 OF 1 DWG# 00444

BARRETO

REF. QTY.	PART NO.	DESCRIPTION
1	04508-R	C-BALANCE VALVE, SINGLE
2	04560	FITTING, 6400-4-4
3	05081	WASHER, 1/4 SAE ZINC
4	05591	HH CAP SCREW, 1/4-20 NC X 2 G5 ZINC
5	04555	FITTING, 6801-4-4
6	04552-01	HOSE, 1/4 X 43 SINGLE BRAID
7	05096	NUT, NYLOCK, 1/4-20 NC ZINC



TITLE: COUNTER BALANCE VALVE

PRODUCT LINE: 1324/1624/1824 DATE: 1/10/08

SCALE: 1:1.7 DWG# 00445

SHEET 1 OF 1

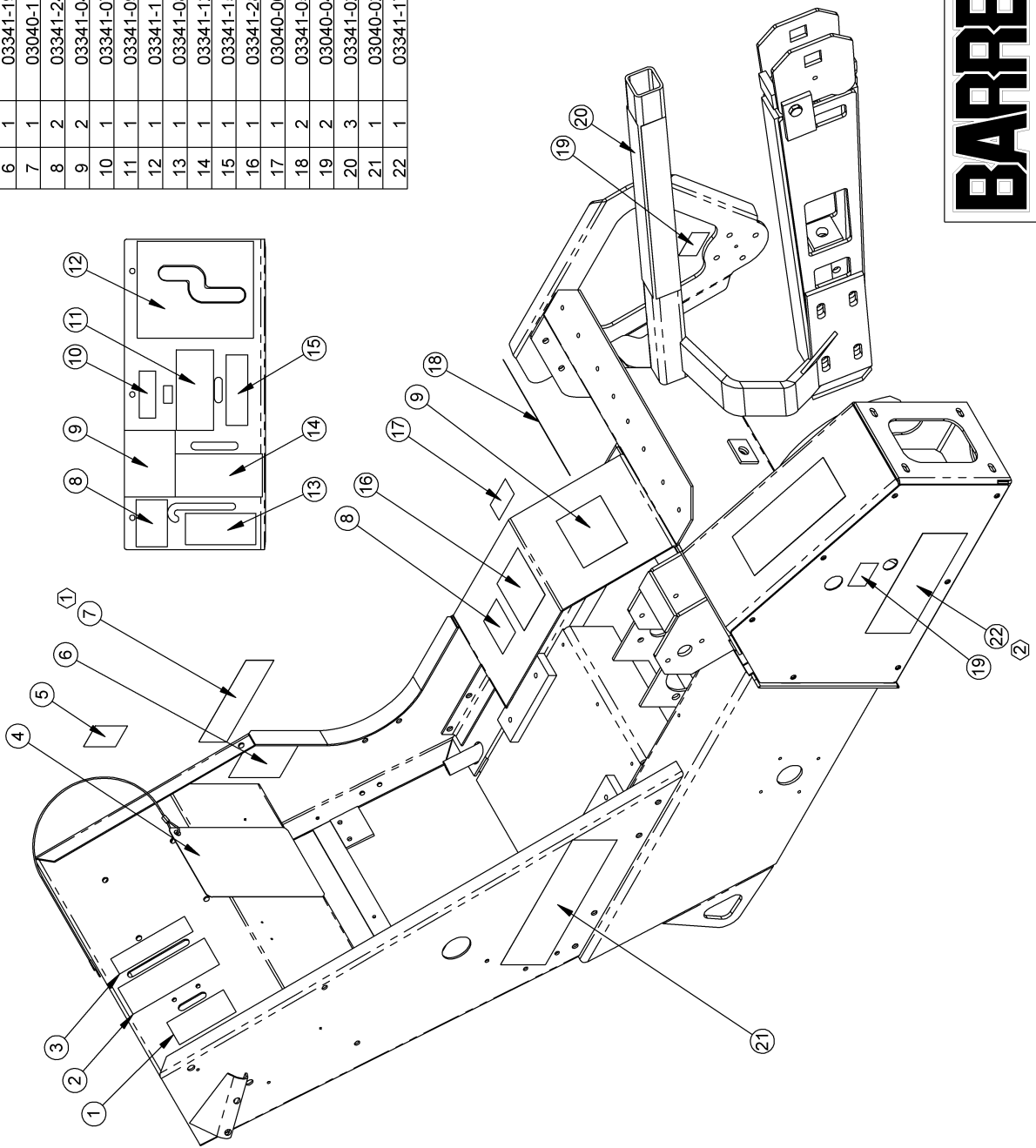
BARRETO

① FOR 1624 & 1824, USE PART NO. 03040-02 (DECAL, "BARRETO", 3-1/2 X 11-1/4).

② FOR 1624, USE PART NO. 03341-03 (DECAL, "1624-D");
FOR 1824, USE PART NO. 03341-25 (DECAL, "1824-D");

3. FOR A COMPLETE 1324 (HONDA) DECAL SET, ORDER PART NO. 03341-HC.

4. FOR A COMPLETE 1624 (BRIGGS) DECAL SET, ORDER PART NO. 03341-BC.



REF. QTY.	PART NO.	DESCRIPTION
1	03341-13	DECAL, "ENGINE" FAST/SLOW
2	03341-16	DECAL, "CHAIN" FWD/N/REV PICTURE
3	03341-10	DECAL, DIG CHAIN "FWD/N/REV"
4	03341-06COMP	INSTRUCTION SHEET, COMPLETE
5	03040-01	DECAL, "MADE IN USA"
6	03341-19	DECAL, CHOKE, FUEL
7	03040-11	DECAL, "BARRETO", 2-3/16 X 7-3/8
8	03341-24	DECAL, "WARNING - NO PARKING BRAKE"
9	03341-04	DECAL, "CAUTION - TO AVOID INJURY"
10	03341-07	DECAL, "IGNITION OFF/ON"
11	03341-09	DECAL, "DIGGING CHAIN ON/OFF"
12	03341-11	DECAL, "GROUND SPEED"
13	03341-08	DECAL, "AXLE LOCK/UNLOCK"
14	03341-12	DECAL, "DIGGING BOOM, UP-DOWN"
15	03341-15	DECAL, DIGGING CHAIN PICTURE ON/OFF
16	03341-28	DECAL, GREASE CHART
17	03040-06	DECAL, "HYDRAULIC OIL ONLY"
18	03341-05	DECAL, DANGER, CHAIN
19	03040-04	DECAL, "GREASE DAILY"
20	03341-02	DECAL, "DANGER" STRIPES
21	03040-02	DECAL, "BARRETO", 3-1/2 X 11-1/4
22	03341-17	DECAL, 1324-D

TITLE: DECALS

PRODUCT LINE: 1324/1624/1824 DATE: 1/14/08

SCALE: 1:10

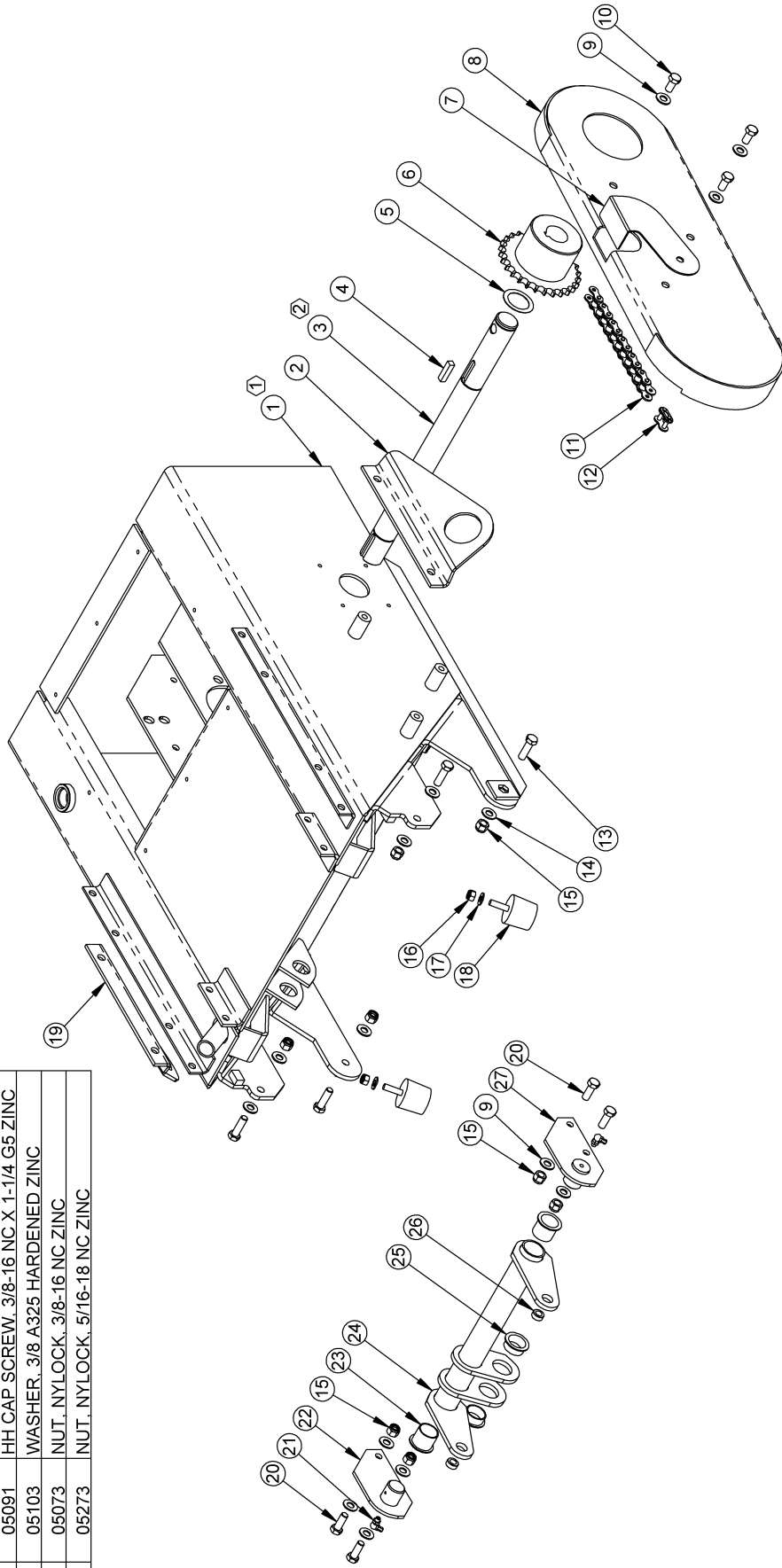
SHEET 1 OF 1 DWG# 00446

BARRETO

REF. QTY.	PART NO.	DESCRIPTION	REF. QTY.	PART NO.	DESCRIPTION
1	01200-4WD	LOWER BODY, 4WD	17	05068	WASHER, 5/16 SAE ZINC
2	01363-R	RH TIE DOWN BRACKET	18	03010	STOP PAD
3	02241	AXLE, RIGHT, 4WD	19	01363-L	LH TIE DOWN BRACKET
4	05015	KEY, 5/16 X 5/16 X 1-1/4	20	05059	HH CAP SCREW, 3/8-16 NC X 1 G5 ZINC
5	03202	THRUST WASHER, 1.25 X 1.75 X .030	21	05307	GREASE ZERK, 1/4-28 UNF 90°
6	02240	DRIVER SPROCKET	22	01357-L	LH SUSPENSION PIVOT
7	01348	CHAIN ACCESS COVER	23	03269	BUSHING, IGUS LFI-1618-16
8	01345	CHAIN COVER	24	01356	TORQUE TUBE
9	05101	WASHER, 3/8 SAE ZINC	25	03268	BUSHING, IGUS LFI-1618-08
10	05057	HH CAP SCREW, 3/8-16 NC X 3/4 G5 ZINC	26	02253	BUSHING, LINK PIN
11	03278	ROLLER CHAIN, #50, 75 PITCH	27	01357-R	RH SUSPENSION PIVOT
12	03017	MASTER LINK, #50 CHAIN			
13	05091	HH CAP SCREW, 3/8-16 NC X 1-1/4 G5 ZINC			
14	05103	WASHER, 3/8 A325 HARDENED ZINC			
15	05073	NUT, NYLOCK, 3/8-16 NC ZINC			
16	05273	NUT, NYLOCK, 5/16-18 NC ZINC			

① FOR OTHER LOWER BODY PARTS SEE DWG# 00424.

② FOR OTHER AXLE PARTS SEE DWG# 00426.



TITLE: 4WD BODY

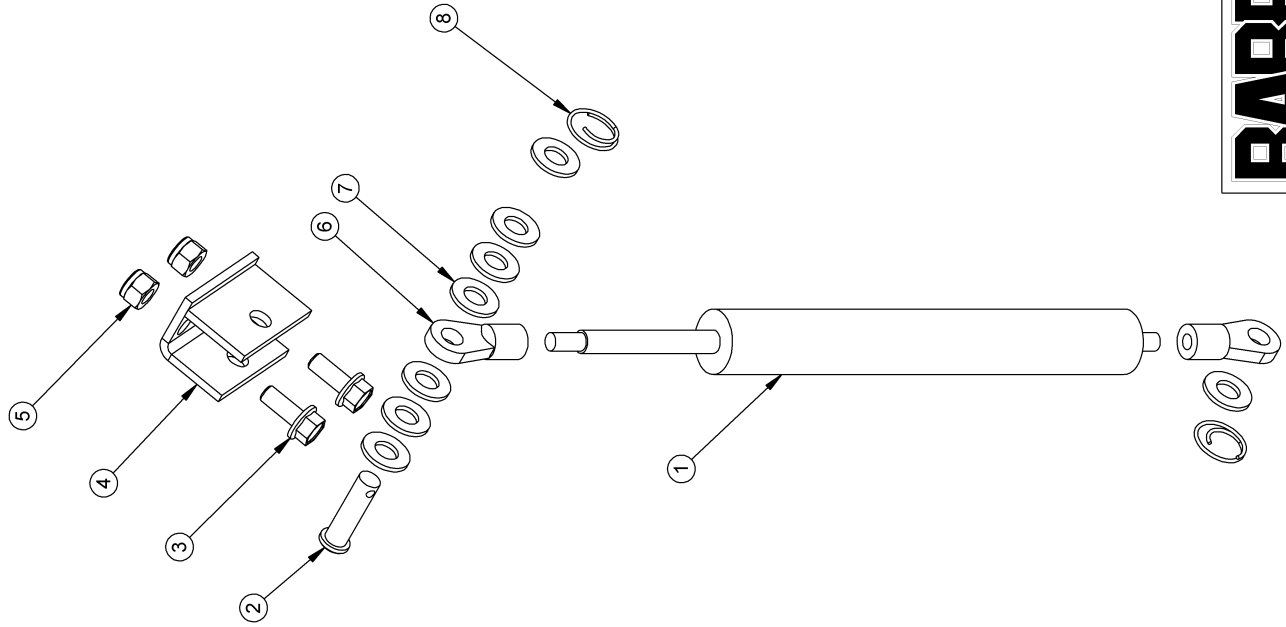
PRODUCT LINE: 1324/1624/1824 DATE: 1/10/08

SCALE: 1:8.5 DWG# 00447

SHEET 1 OF 1

BARRETO

REF. QTY.	PART NO.	DESCRIPTION
1	03265	DAMPER
2	11260	CLEVIS PIN, 5/16 X 1-1/8 ZINC
3	05069	WHIZ LOCK, 1/4-20 NC X 5/8 ZINC
4	01362	DAMPER MOUNT
5	05096	NUT, NYLOCK, 1/4-20 NC ZINC
6	03267	ROD EYE
7	05068	WASHER, 5/16 SAE ZINC
8	05039-5	CIRCLE COTTER, CC-5



TITLE: 4WD DAMPER

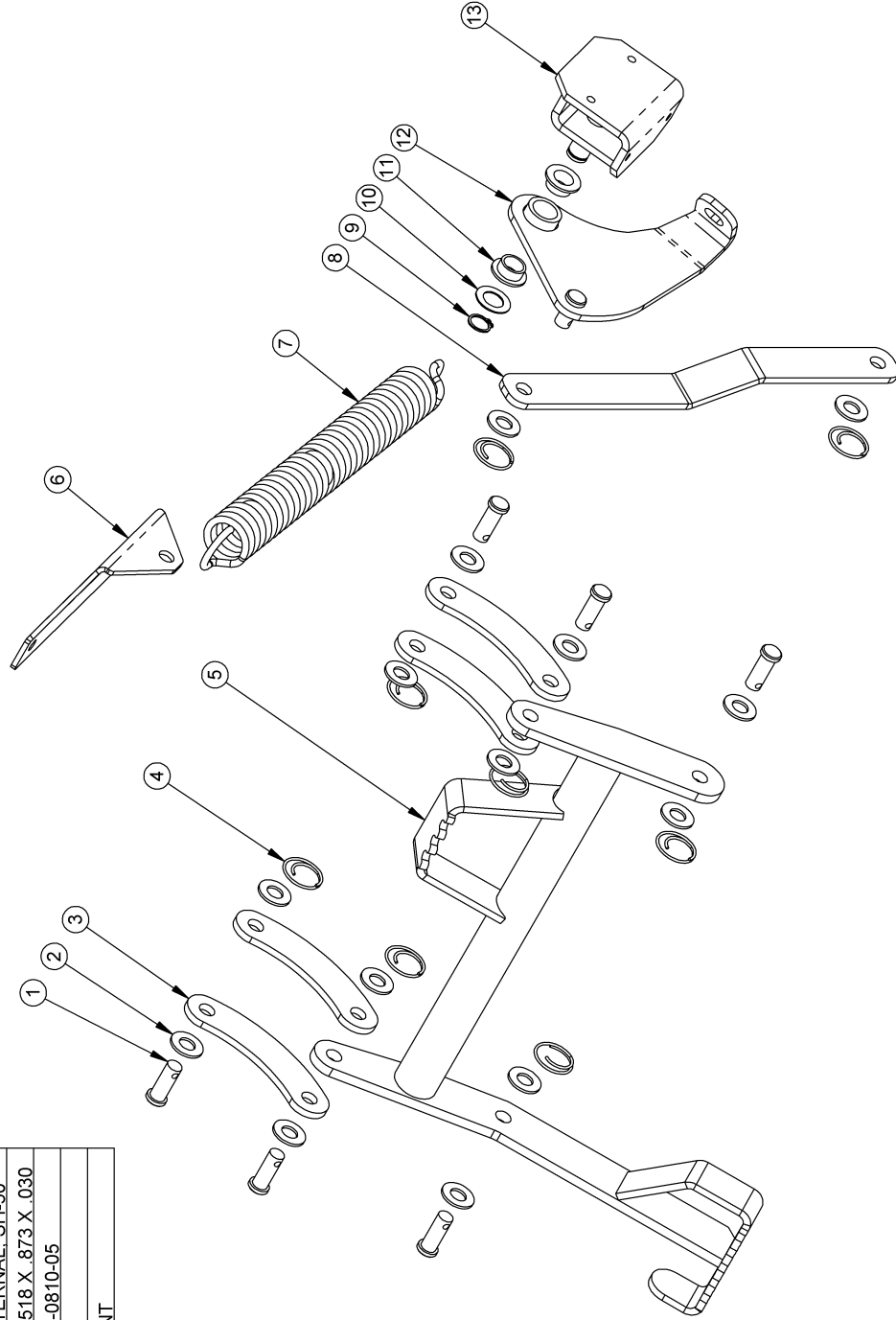
PRODUCT LINE: 1324/1624/1824 DATE: 1/10/08

SCALE: 1:2.4 DWG# 00448

SHEET 1 OF 1

BARRETO

REF. QTY.	PART NO.	DESCRIPTION
1	6	03275 CLEVIS PIN, 3/8 X 1 ZINC
2	14	05101 WASHER, 3/8 SAE ZINC
3	4	01349 LOCK LINK
4	8	05039-7 CIRCLE COTTER, CC-7
5	1	01343 LOCK LEVER
6	1	01365 RAISE SPRING MOUNT
7	1	10515 SPRING, CENTURY 5523
8	1	01367 RAISE LINK
9	1	05506 SNAP RING, 1/2" EXTERNAL, SH-50
10	1	10113 THRUST WASHER, .518 X .873 X .030
11	2	10100 BUSHING, IGUS MFI-0810-05
12	1	01366 RAISE LEVER
13	1	01368 RAISE LEVER MOUNT



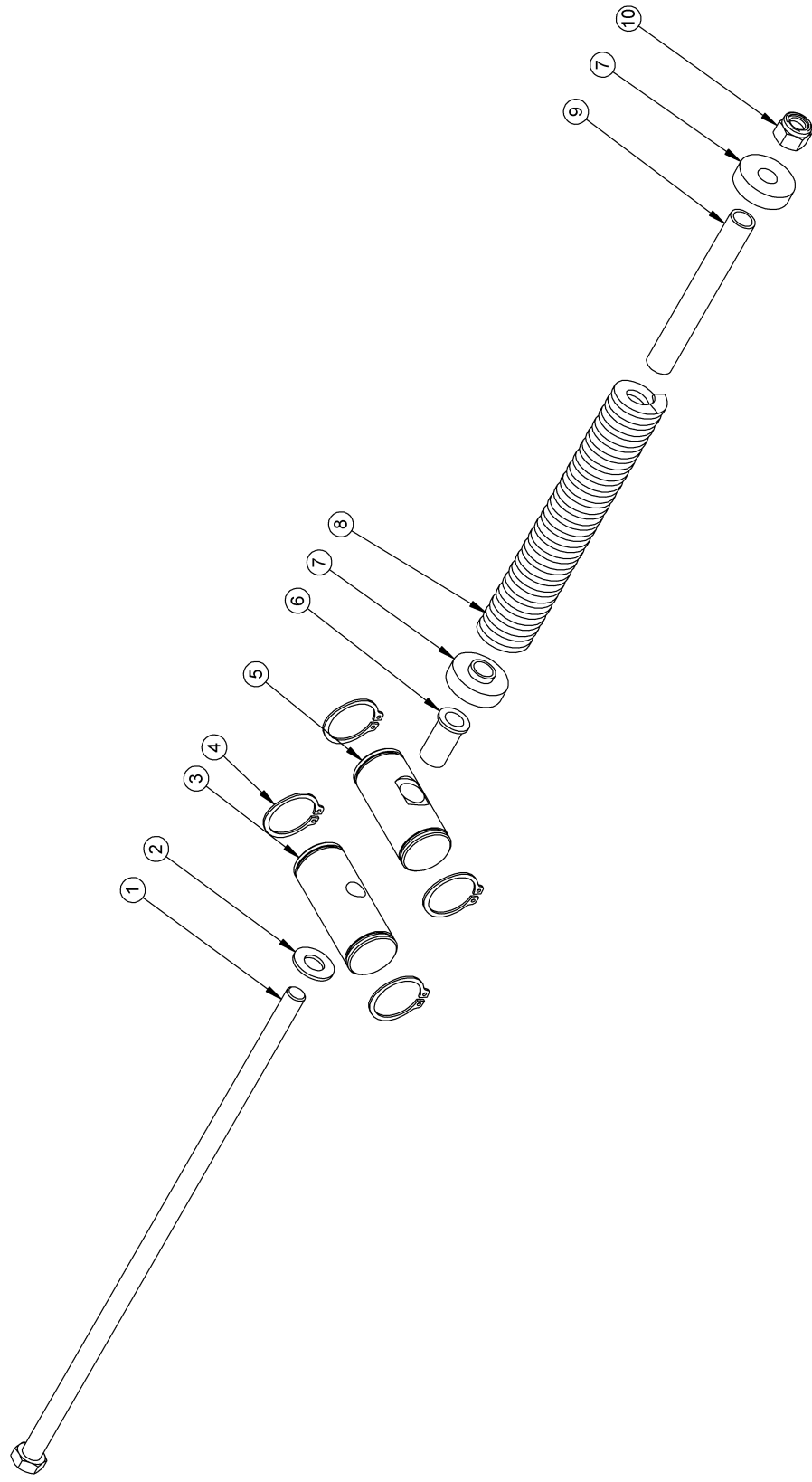
TITLE: 4WD LIFT LINKAGE

PRODUCT LINE: 1324/1624/1824 DATE: 1/10/08

SCALE: 1:4 DWG# 00449
SHEET 1 OF 1

BARRETO

REF. QTY.	PART NO.	DESCRIPTION
1	05330	HH CAP SCREW, 3/8-16 NC X 12 G5 ZINC
2	05103	WASHER, 3/8 A325 HARDENED ZINC
3	02250	UPPER SPRING PIVOT
4	05010	SNAP RING, 1" EXTERNAL
5	02247	LOWER SPRING PIVOT
6	10510	BUSHING, IGUS MFI-0608-16
7	02246	SPRING CAP
8	03273	DIE SPRING, MHP-514, 7 X 1-1/4
9	02248	STOP TUBE
10	05073	NUT, NYLOCK, 3/8-16 NC ZINC

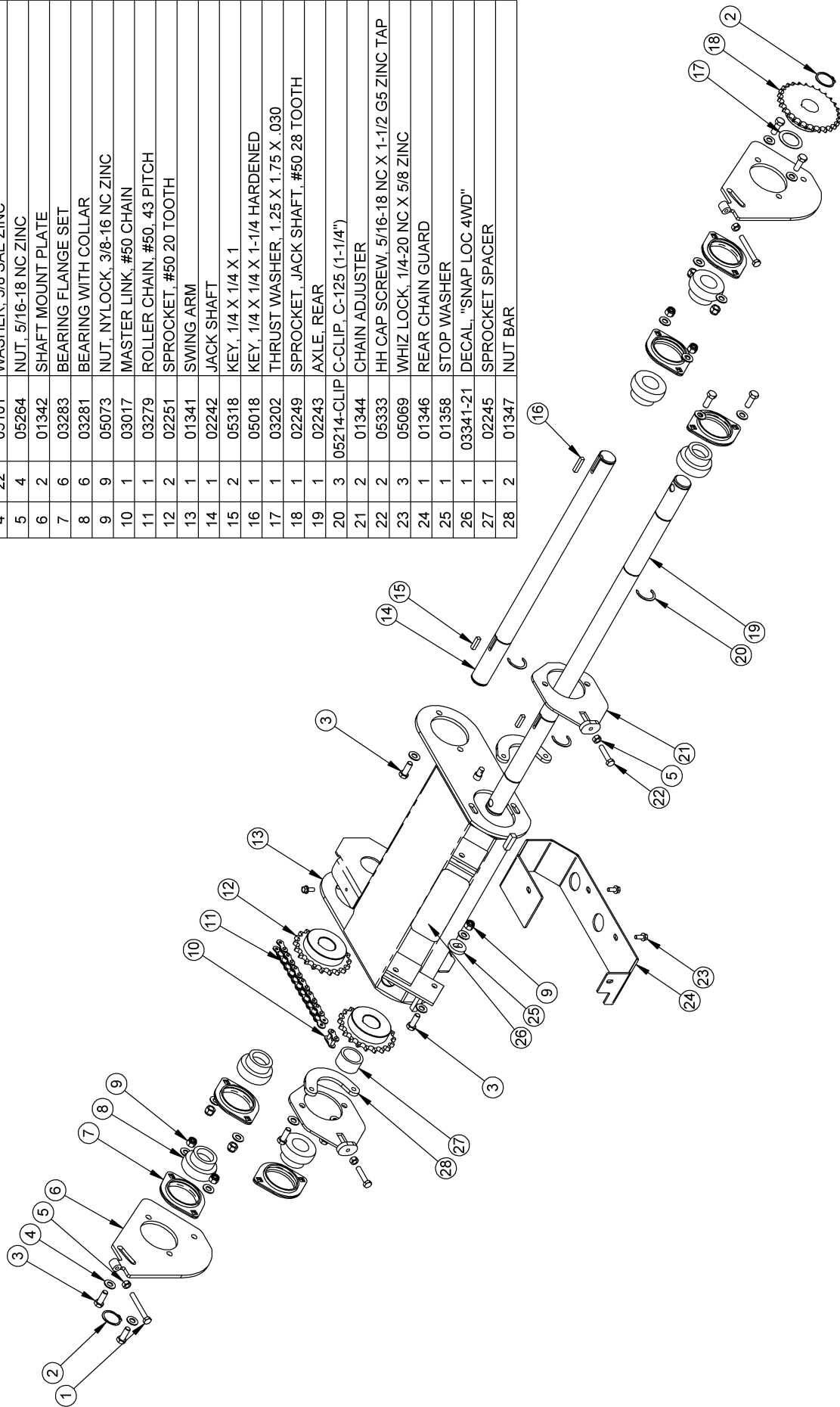


TITLE: 4WD SNAP LOC

PRODUCT LINE: 1324/1624/1824 DATE: 1/10/08
 SCALE: 1:3 DWG# 00450
 SHEET 1 OF 1



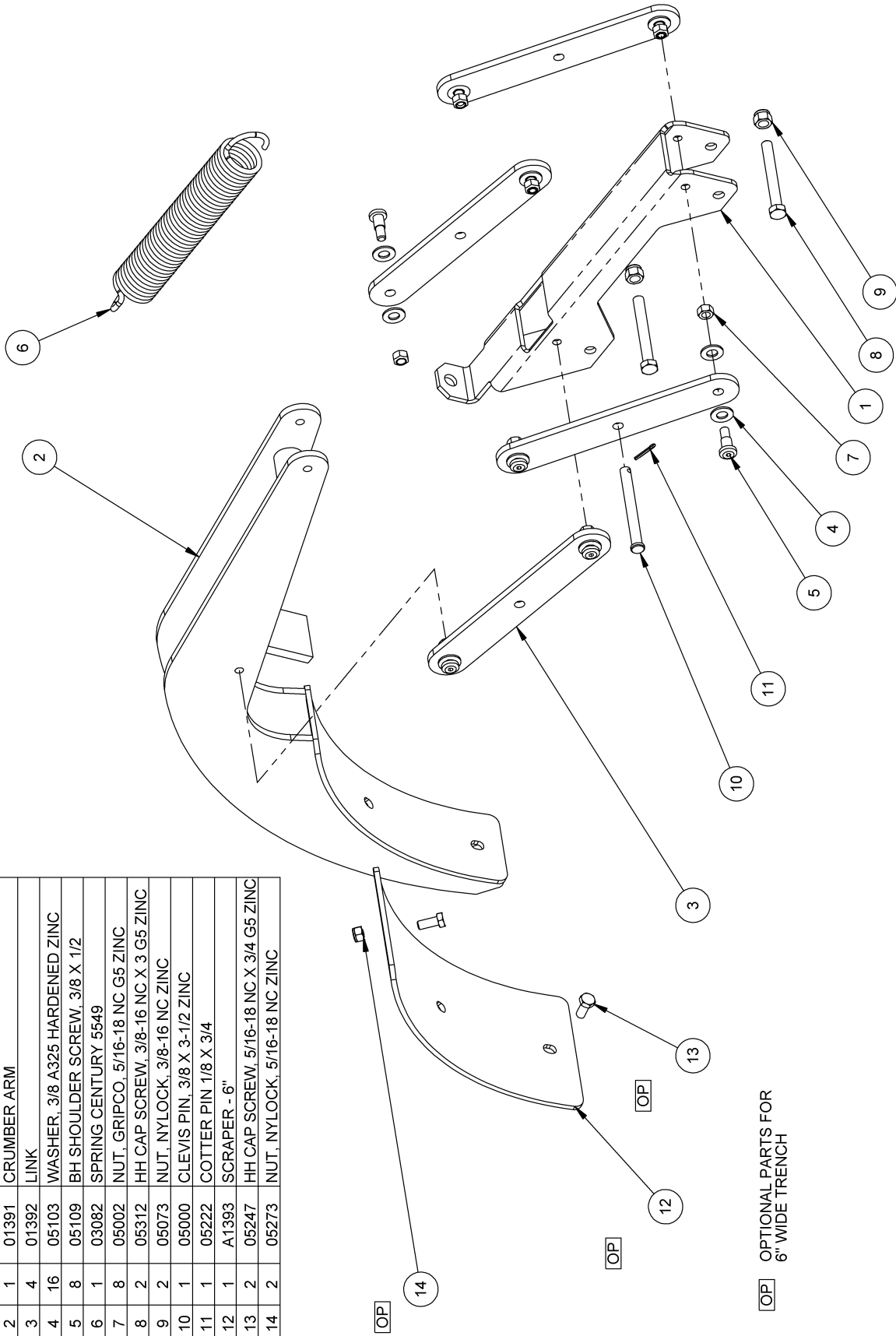
REF	QTY.	PART NO.	DESCRIPTION
1	2	05255	HH CAP SCREW, 5/16-18 NC X 2-1/2 G5 ZINC TAP
2	2	05214	SNAP RING, 1-1/4" EXTERNAL, SH-125
3	13	05059	HH CAP SCREW, 3/8-16 NC X 1 G5 ZINC
4	22	05101	WASHER, 3/8 SAE ZINC
5	4	05264	NUT, 5/16-18 NC ZINC
6	2	01342	SHAFT MOUNT PLATE
7	6	03283	BEARING FLANGE SET
8	6	03281	BEARING WITH COLLAR
9	9	05073	NUT, NYLOCK, 3/8-16 NC ZINC
10	1	03017	MASTER LINK, #50 CHAIN
11	1	03279	ROLLER CHAIN, #50, 43 PITCH
12	2	02251	SPROCKET, #50 20 TOOTH
13	1	01341	SWING ARM
14	1	02242	JACK SHAFT
15	2	05318	KEY, 1/4 X 1/4 X 1
16	1	05018	KEY, 1/4 X 1/4 X 1-1/4 HARDENED
17	1	03202	THRUST WASHER, 1.25 X 1.75 X .030
18	1	02249	SPROCKET, JACK SHAFT, #50 28 TOOTH
19	1	02243	AXLE, REAR
20	3	05214-CLIP	C-CLIP, C-125 (1-1/4")
21	2	01344	CHAIN ADJUSTER
22	2	05333	HH CAP SCREW, 5/16-18 NC X 1-1/2 G5 ZINC TAP
23	3	05069	WHIZ LOCK, 1/4-20 NC X 5/8 ZINC
24	1	01346	REAR CHAIN GUARD
25	1	01358	STOP WASHER
26	1	03341-21	DECAL, "SNAP LOC 4WD"
27	1	02245	SPROCKET SPACER
28	2	01347	NUT BAR



BARRETO

TITLE: 4WD SWING ARM
 PRODUCT LINE: 1324/1624/1824 DATE: 1/10/08
 SCALE: 1:9.4 DWG# 00451
 SHEET 1 OF 1

REF. QTY.	PART NO.	DESCRIPTION
1	01394	CRUMBER MOUNT
2	01391	CRUMBER ARM
3	01392	LINK
4	05103	WASHER, 3/8 A325 HARDENED ZINC
5	05109	BH SHOULDER SCREW, 3/8 X 1/2
6	03082	SPRING CENTURY 5549
7	05002	NUT, GRIPCO, 5/16-18 NC G5 ZINC
8	05312	HH CAP SCREW, 3/8-16 NC X 3 G5 ZINC
9	05073	NUT, NYLOCK, 3/8-16 NC ZINC
10	05000	CLEVIS PIN, 3/8 X 3-1/2 ZINC
11	05222	COTTER PIN 1/8 X 3/4
12	A1393	SCRAPER - 6"
13	05247	HH CAP SCREW, 5/16-18 NC X 3/4 G5 ZINC
14	05273	NUT, NYLOCK, 5/16-18 NC ZINC



[OP] OPTIONAL PARTS FOR
6" WIDE TRENCH

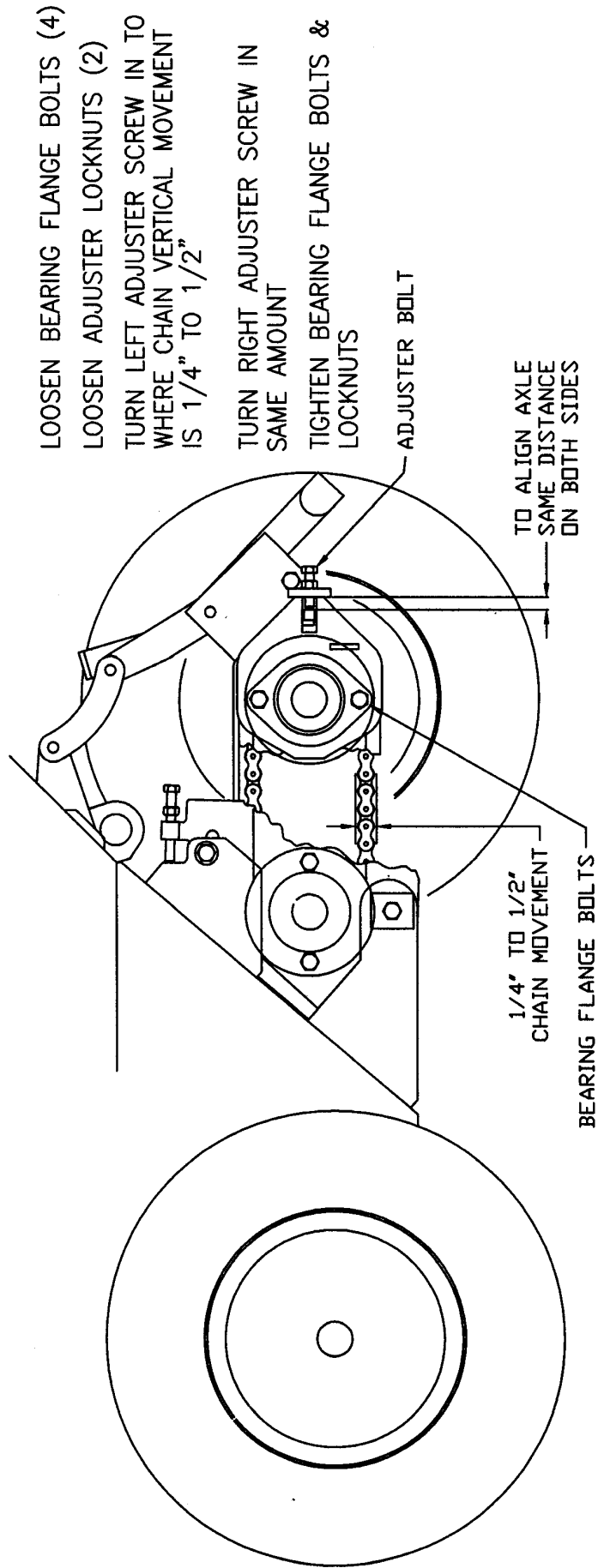
TITLE: CRUMBER ASSEMBLY

PRODUCT LINE: TRENCHER 1324 / 1624 DATE: 3/06

SCALE: 1:5

SHEET 1 OF 1 DWG# A1390

BARRETO



LOOSEN BEARING FLANGE BOLTS (4)

LOOSEN ADJUSTER LOCKNUTS (2)

TURN LEFT ADJUSTER SCREW IN TO WHERE CHAIN VERTICAL MOVEMENT IS 1/4" TO 1/2"

TURN RIGHT ADJUSTER SCREW IN SAME AMOUNT

TIGHTEN BEARING FLANGE BOLTS & LOCKNUTS

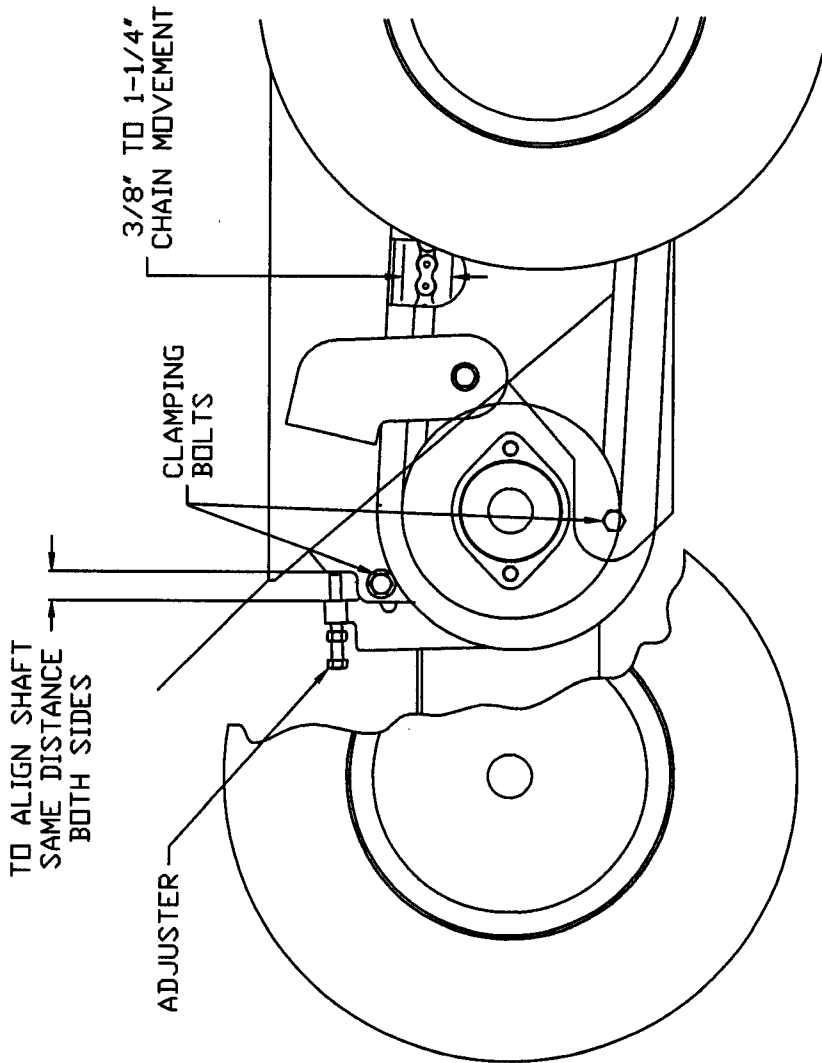
ADJUSTER BOLT

TO ALIGN AXLE SAME DISTANCE ON BOTH SIDES

1/4" TO 1/2" CHAIN MOVEMENT

BEARING FLANGE BOLTS

AXLE CHAIN ADJUSTMENT



LOOSEN ACCESS COVER BOLT
& RAISE COVER

LOOSEN CLAMPING BOLTS (4)
FROM INSIDE OF SHAFT MOUNTS

LOOSEN RIGHT LOCKNUT & TURN
ADJUSTER TO GET 3/8" TO 1-1/4"
VERTICAL CHAIN MOVEMENT

TURN LEFT ADJUSTER IN SAME
AMOUNT TO ALIGN SHAFT

TIGHTEN CLAMPING BOLTS &
LOCKNUTS AND COVER BOLT

DRIVE CHAIN ADJUSTMENT



BARRETO E4X6TBT TILT BED TRAILER

The Barreto Tilt Bed Trailer, Model Number E4X6TBT, has three receivers to attach any of the following options, **to be used one at a time**:

- 00287 WHEEL LOCK (to transport the Barreto Model 912 trencher)
- 00288 WHEEL LOCK (to transport a Barreto Model 1318 or 1324 or 1624 or 1824 trencher)
- 00289 TILLER BUMPER PURCHASE (to transport a Barreto Model 916 or 918 or 1320 or 1620 tiller)

Each of the above is designed to aid in holding a single piece of Barreto equipment in place while in transit.

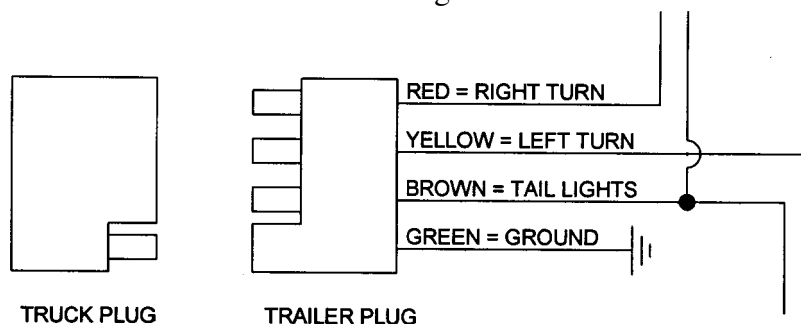
Although the trailer is versatile, Barreto Manufacturing, Inc. accepts no liability for injury or damage of any kind related to use of the Barreto Tilt Bed Trailer.

Be sure to read and observe the safety instructions for proper use of the Barreto Tilt Bed Trailer. If there are any questions regarding proper use, please contact Barreto Manufacturing, Inc. or an authorized Barreto Dealer.

The VIN is located on the upper bed frame, on the left side and near the front.

WIRING THE TRAILER

Four pin connectors are typical for the three lighting functions (tail, turn, and brake) plus one pin for the ground wire. Vehicle manufacturers have not standardized wiring colors. We recommend that a circuit tester be used on the tow vehicle wiring to locate the correct wire for each function. The wire that supplies 12 volt DC when switched on with the head lights in the tow vehicle is for the tail lights.



SAFETY INSTRUCTIONS / CHECK LIST BARRETO E4X6TBT TILT BED TRAILER

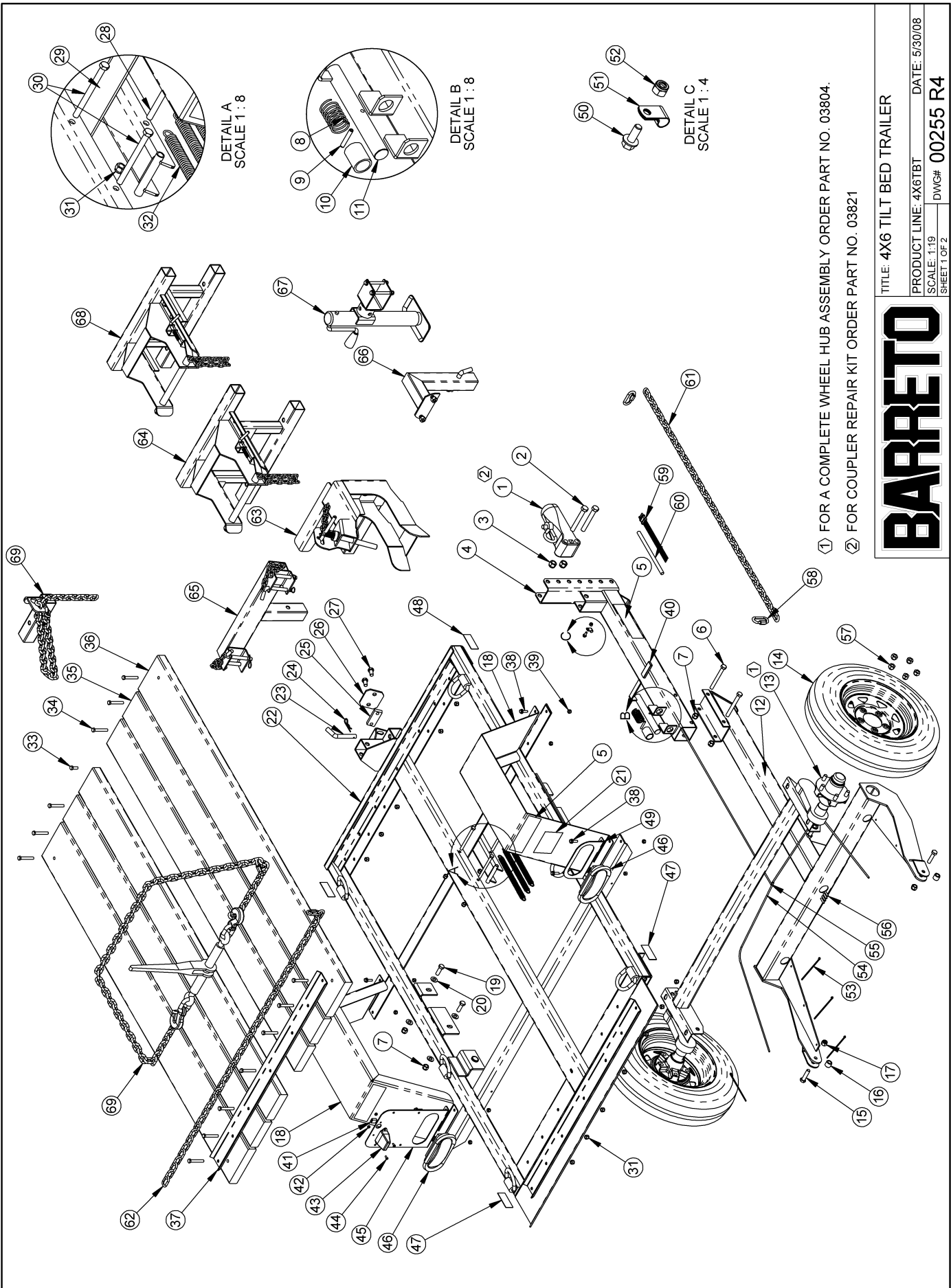
Be sure to obey all traffic laws and rules of the road while towing the Barreto Tilt Bed Trailer. Never exceed 45 miles per hour while towing the trailer. The towing vehicle should be in legal operating condition. If local law requires trailer lights, be sure they are in good repair and are in proper working condition.

Refer to the following check list before towing:

- Towing vehicle should have a 2" ball. Be sure it is in good repair and securely fastened to the vehicle.
- Securely fasten the hitch to the ball by tightening the hitch nut.
- Thread the safety chain through the loop in the hitch nut handle to prevent it from vibrating loose while towing.
- Attach the safety chain to the towing vehicle in such a way that it cannot come off accidentally.
- Check the hitch-to-ball connection after driving a few blocks and re-tighten if necessary.
- When using the 00287 WHEEL LOCK to transport the Barreto Model 912 trencher, insure that the spring-loaded pin is holding the trencher front wheel securely.
- When using the 00288 WHEEL LOCK to transport a Barreto Model 1318 or 1324 or 1624 or 1824 trencher insure that the wheel lock pin is in place behind the trencher front wheel. The wheel lock pin handle should be behind the lip on the side plate (near where the chain is fastened) and under the lock pin keeper.
- When using the 00289 TILLER BUMPER PURCHASE to transport a Barreto Model 916 or 918 or 1320 or 1620 tiller, both bumper lock pins must be placed behind the tiller bumper with a hair spring cotter through each pin. The two bolts that fasten the bumper lock pin chains prevent the Barreto tillers from shifting from side to side, and should be in good condition.
- Strap Barreto equipment to the trailer D-rings for highway, long distance, or rough road towing.

Always exercise extreme caution and allow extra clearance while towing a trailer.

DRIVE SAFELY!



① FOR A COMPLETE WHEEL HUB ASSEMBLY ORDER PART NO. 03804.
 ② FOR COUPLER REPAIR KIT ORDER PART NO. 03821

TITLE: 4X6 TILT BED TRAILER
 PRODUCT LINE: 4X6TBT
 SCALE: 1:19
 SHEET 1 OF 2
 DWG# 00255 R4
 DATE: 5/30/08



ITEMS BALLOON REF 38 THROUGH 62 ARE BOXED FOR SHIPMENT.

REF. QTY.	PART NO.	DESCRIPTION	REF. QTY.	PART NO.	DESCRIPTION
1	03820	COUPLER, CROFT ADJUSTABLE	47	10631	RED REFLECTOR, 1-3/8 X 3-1/8
2	05095	HH CAP SCREW, 5/8-11 NC X 4-1/2 G5 ZINC	48	10630	AMBER REFLECTOR, 1-3/8 X 3-1/8
3	05099	NUT, NYLOCK, 5/8-11 NC ZINC	49	10613	MOUNTING BRACKET, TAIL LIGHT
4	11337	TONGUE & LATCH MOUNT	50	05069	WHIZ LOCK, 1/4-20 NC X 5/8 ZINC
5	03040-11	DECAL, "BARRETO", 2-3/16 X 7-3/8	51	11238	CABLE CLAMP, RICHCO SPN-5
6	05094	HH CAP SCREW, 1/2-13 NC X 4-1/2 G5 ZINC	52	05096	NUT, NYLOCK, 1/4-20 NC ZINC
7	05098	NUT, NYLOCK, 1/2-13 NC ZINC	53	03035	TIE WRAP, 1/8 X 6
8	10592	SPRING	54	11358	WIRE CABLE, 4X 14 GA STRANDED, 4-1/2' LONG
9	05334	ROLL PIN (SLOTTED SPRING), 1/4 X 1-1/2 ZINC	55	11357	WIRE CABLE, 4X 14 GA STRANDED, 8' LONG
10	10580	SPACER, LATCH PIN	56	05343	BUTT SPLICE
11	10579	LATCH PIN	57	05042	NUT, LUG, 1/2-20 NF
12	10572	LOWER BED FRAME	58	03711	QUICK LINK, 5/16
13	03801	AXLE, INCLUDES WHEEL HUBS	59	03264	PLUG, FLAT 4 MALE
14	03814	TIRE & RIM, 5.30-12, 5 HOLE ON 4.5 BC	60	11606	HEAT SHRINK TUBE, 1/2 X 9
15	05251	HH CAP SCREW, 1/2-20 NF X 2 G5 ZINC	61	08301-1	SAFETY CHAIN, 5/16", 39 LINKS
16	10585	BUSHING	62	08300	TIE-DOWN CHAIN, 1/4", 40 LINKS, WITH QUICK LINK
17	05075	NUT, NYLOCK, 1/2-20 NF ZINC	63	00287	OPTIONAL WHEEL LOCK, 912
18	11013	FENDER	64	00288	OPTIONAL WHEEL LOCK, 1318/1324/1624/1824
19	05300-01	HH CAP SCREW, 1/2-13 NC X 1-1/2 G5 ZINC	65	00289	OPTIONAL BUMPER PURCHASE, TILLERS
20	05102	WASHER, 1/2 SAE ZINC HARDENED	66	00300	OPTIONAL SPARE TIRE MOUNT
21	03040-14	DECAL, "45 MPH"	67	00339	OPTIONAL SWIVEL JACK & MOUNTING BRACKET
22	11012	UPPER BED FRAME	68	00462	OPTIONAL ADJUSTABLE WHEEL LOCK, 1318/1324/1624/1824
23	10593	BENT ARM PIN, 5/8 X 3 WITH HOLE, ZINC	69	00340	OPTIONAL TIE-DOWN KIT, 1824TK
24	05142	HAIR SPRING COTTER #8			
25	10625	STRIKER MOUNTING PLATE			
26	10624	STRIKER PLATE			
27	05067	HH CAP SCREW, 1/2-13 NC X 1 G5 ZINC			
28	10598	HH CAP SCREW, 3/8-16 NC X 3-1/4 G5 ZINC			
29	11014	LIFT ROLLER			
30	10599	HH CAP SCREW, 3/8-16 NC X 4-1/2 G5 ZINC			
31	05073	NUT, NYLOCK, 3/8-16 NC ZINC			
32	03220	SPRING			
33	05059	HH CAP SCREW, 3/8-16 NC X 1 G5 ZINC			
34	05249	HH CAP SCREW, 3/8-16 NC X 2-1/2 G5 ZINC			
35	10595	WOOD DECKING, 2 X 6 X 71-5/8			
36	10597	WOOD DECKING, 2 X 8 X 71-5/8			
37	10573-15	TRACTION PLATE			
38	05144	WHIZ-LOCK, 5/16-18 NC X 1 ZINC			
39	05273	NUT, NYLOCK, 5/16-18 NC ZINC			
40	03018	GRIP, 1/8 X 3/4 X 2-3/4			
41	03806	QUICK-SPLICE			
42	05345	NUT, NYLOCK, 10-24 NC ZINC			
43	10628	LICENSE PLATE LIGHT			
44	05233	SCREW #10-24 X 1/2 PPH			
45	10609	MOUNTING BRACKET, TAIL LIGHT & LICENSE			
46	10612	TAIL LAMP, PETERSON M421KR			

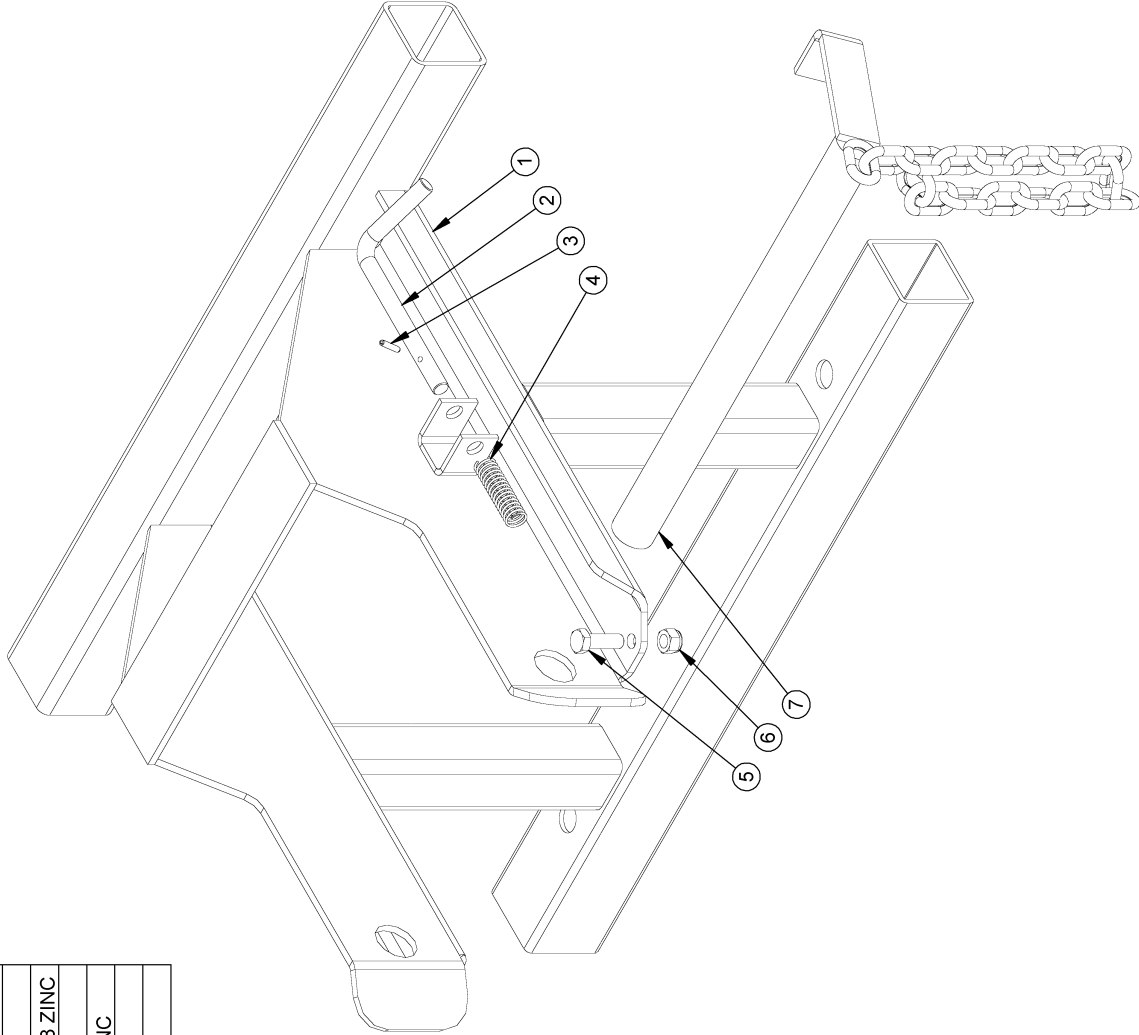


TITLE: 4X6 TILT BED TRAILER

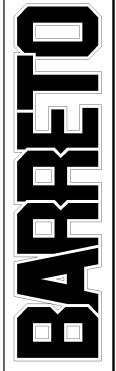
PRODUCT LINE: 4X6TBT
 SCALE: 1:19
 SHEET 2 OF 2

DATE: 5/30/08
 DWG# 00255 R4

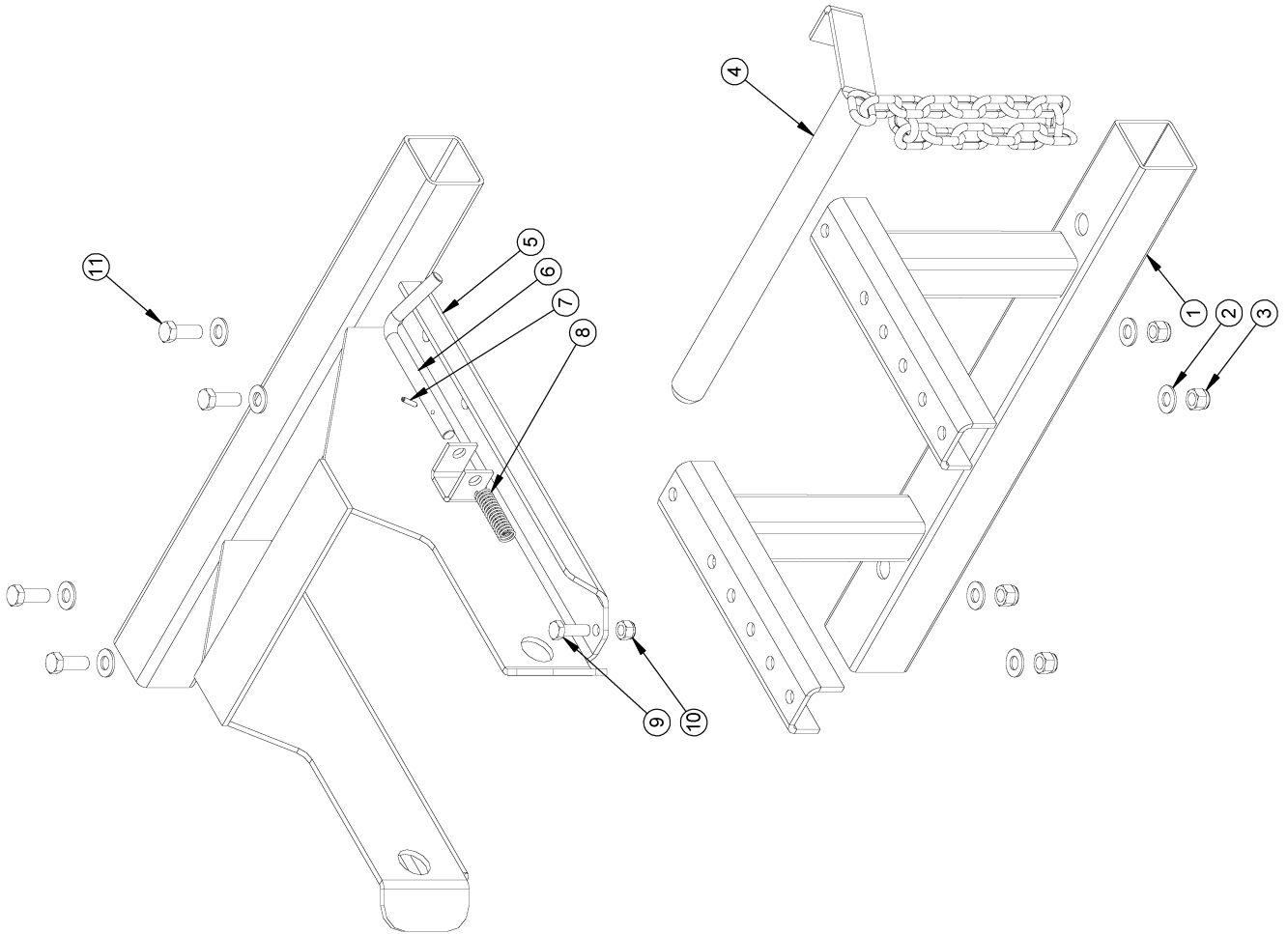
REF. QTY.	PART NO.	DESCRIPTION
1	10563	WHEEL LOCK
2	08215	LOCK PIN KEEPER
3	03812	ROLL PIN (SLOTTED SPRING), 1/8 X 5/8 ZINC
4	03810	SPRING
5	05315	HH CAP SCREW, 5/16-18 NC X 1 G5 ZINC
6	05273	NUT, NYLOCK, 5/16-18 NC
7	08208	WHEEL LOCK PIN



TITLE: WHEEL LOCK,
 1318/1324/1624/1824 TRENCHERS
 PRODUCT LINE: 4X6TBT DATE: 3/22/06
 SCALE: 1:4
 SHEET 1 OF 1 DWG# 00288



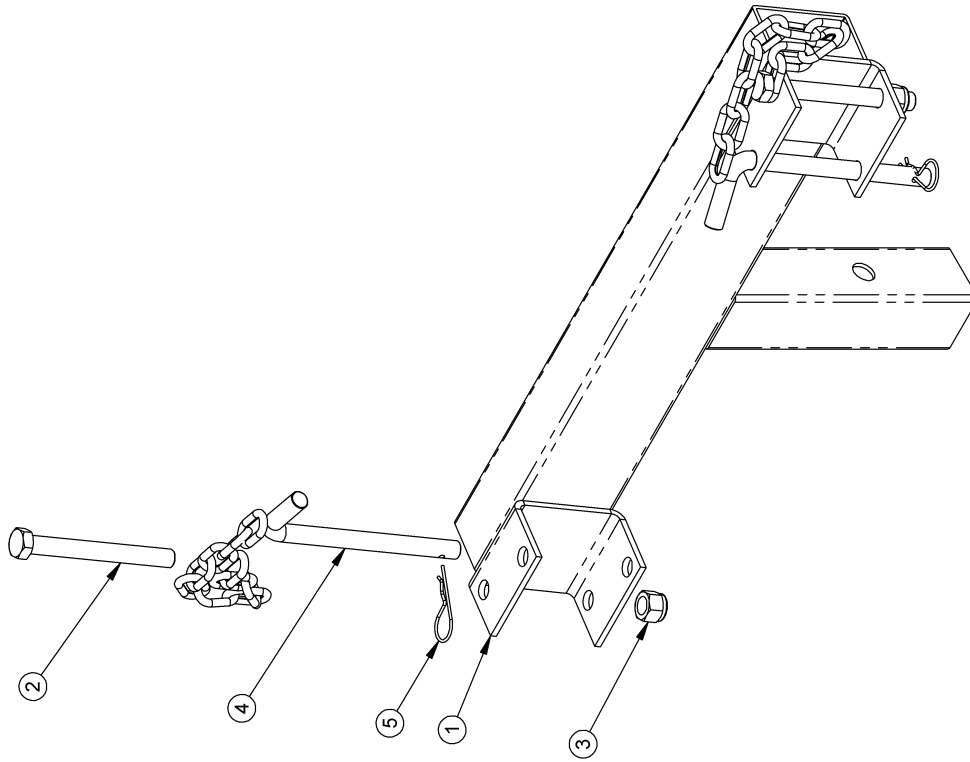
REF.	QTY.	PART NO.	DESCRIPTION
1	1	11607	WHEEL LOCK, LOWER
2	8	05101	WASHER, 3/8 SAE ZINC
3	4	05073	NUT, NYLOCK, 3/8-16 NC ZINC
4	1	08208	WHEEL LOCK PIN
5	1	11608	WHEEL LOCK, UPPER
6	1	08215	LOCK PIN KEEPER
7	1	03812	ROLL PIN (SLOTTED SPRING), 1/8 X 5/8 ZINC
8	1	03810	SPRING
9	1	05315	HH CAP SCREW, 5/16-18 NC X 1 G5 ZINC
10	1	05273	NUT, NYLOCK, 5/16-18 NC ZINC
11	4	05059	HH CAP SCREW, 3/8-16 NC X 1 G5 ZINC



TITLE: ADJUSTABLE WHEEL LOCK,
1318/1324/1624/1824 TRENCHERS
PRODUCT LINE: 4X6TBT DATE: 5/6/08
SCALE: 1:5 SHEET 1 OF 1 DWG# 00462



REF. QTY.	PART NO.	DESCRIPTION
1	10604	TILLER BUMPER PURCHASE
2	05094	HH CAP SCREW, 1/2-13 NC X 4-1/2 G5 ZINC
3	05098	NUT, NYLOCK, 1/2-13 NC
4	08015	BUMPER LOCK PIN
5	05032	HAIR SPRING COTTER #6

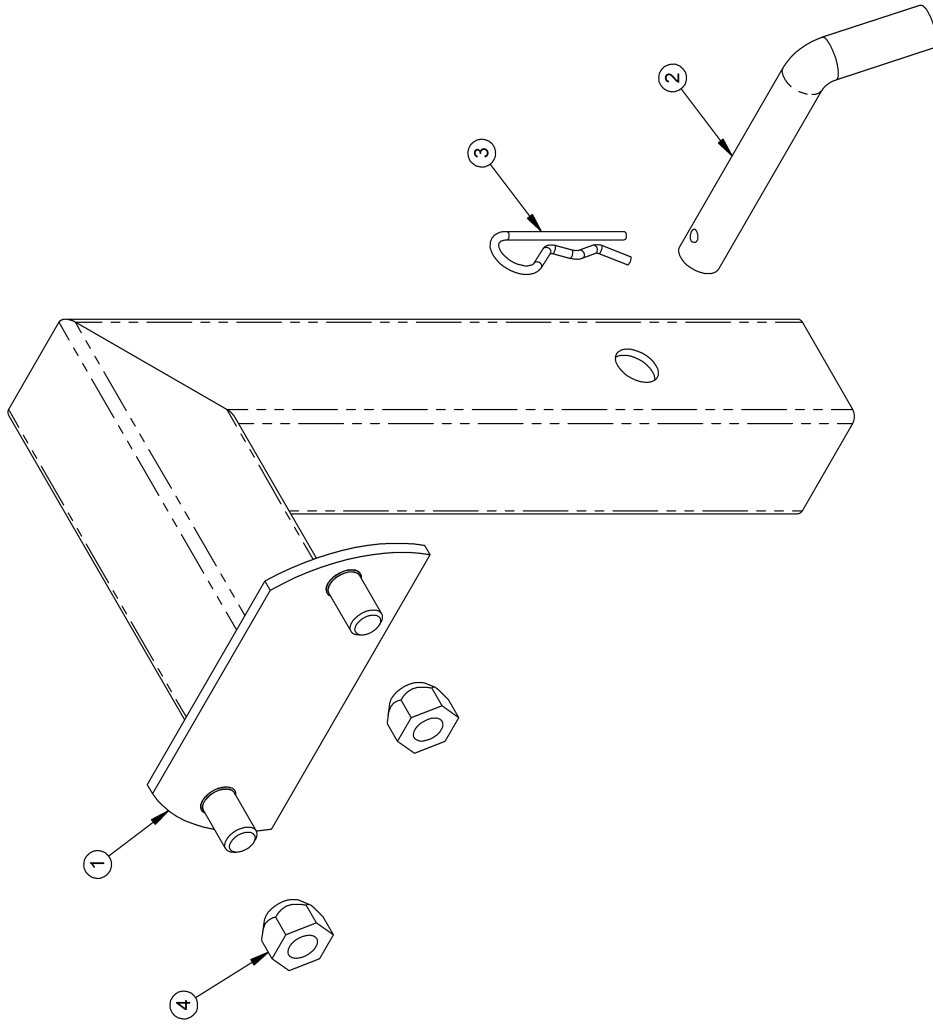


NOTES:
 1. USAGE: TO SECURE A MODEL 916, 918, 1320,
 OR 1620 TILLER TO THE 4X6 TILT BED TRAILER.

BARRETO

TITLE: TILLER BUMPER PURCHASE
 PRODUCT LINE: 4X6TBT DATE: 6/16/05
 SCALE: 1:4.8 DWG# 00289
 SHEET 1 OF 1

REF. QTY.	PART NO.	DESCRIPTION
1	10690	SPARE TIRE MOUNT
2	10593	BENT ARM PIN, 5/8 X 3 WITH HOLE, ZINC
3	05142	HAIR SPRING COTTER #8
4	05042	NUT, LUG, 1/2-20 NF X 13/16 HEX



TITLE: SPARE TIRE MOUNT

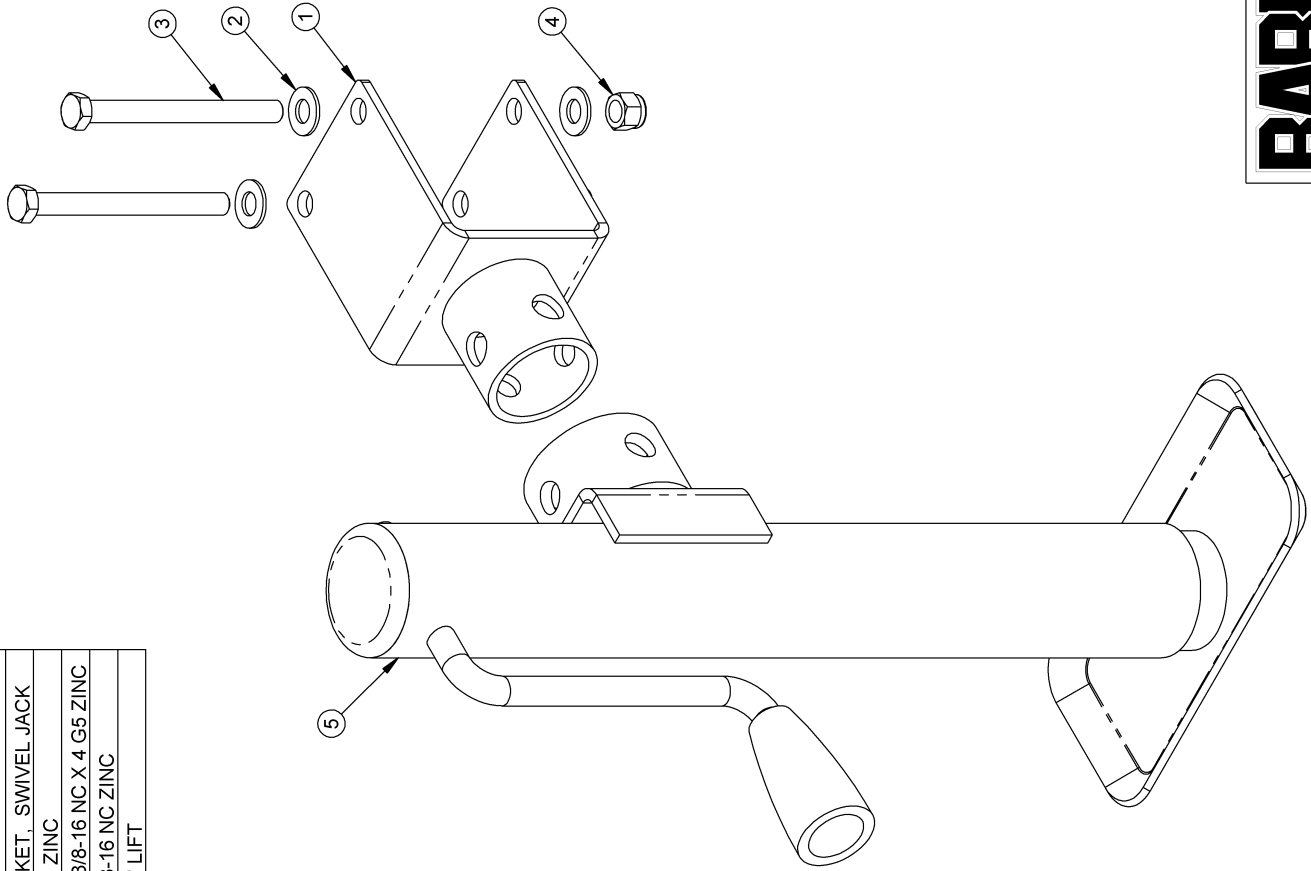
PRODUCT LINE: 4x6TBT DATE: 5/31/05

SCALE: 1:2.5 DWG# 00300

SHEET 1 OF 1

BARRETO

REF. QTY.	PART NO.	DESCRIPTION
1	10903	MOUNTING BRACKET, SWIVEL JACK
2	05101	WASHER, 3/8 SAE ZINC
3	10757	HH CAP SCREW, 3/8-16 NC X 4 G5 ZINC
4	05073	NUT, NYLOCK, 3/8-16 NC ZINC
5	08216	SWIVEL JACK, 10" LIFT

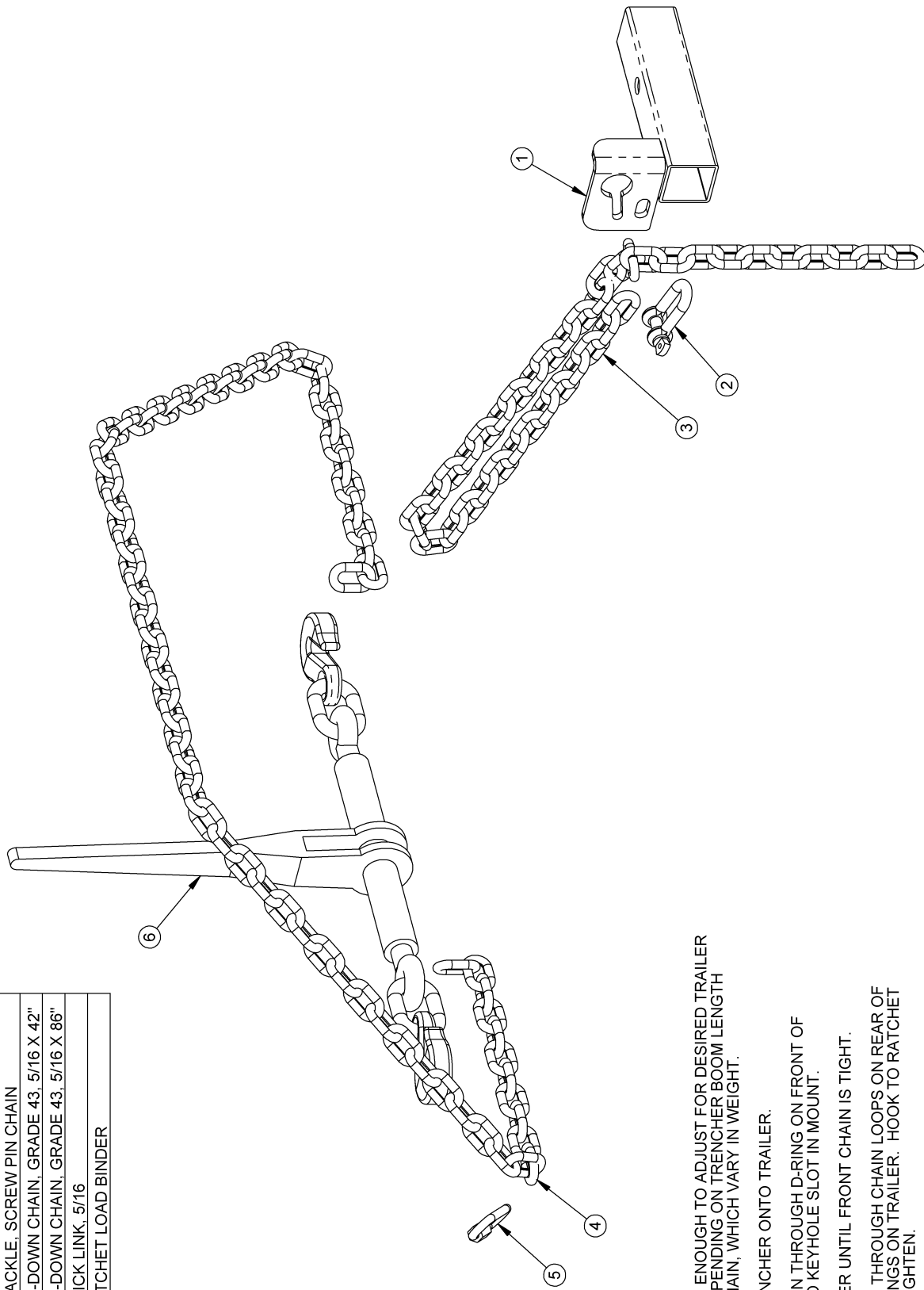


NOTES:
 USAGE: 4X6TBT OR ANY 3X3 TRAILER TONGUE

BARRETO

TITLE: SWIVEL JACK & MOUNTING BRACKET, 3X3 TONGUE
 PRODUCT LINE: 4X6TBT DATE: 8/23/07
 SCALE: 1:3 SHEET 1 OF 1 DWG# 00339

REF. QTY.	PART NO.	DESCRIPTION
1	11574	CHAIN MOUNT
2	03827	SHACKLE, SCREW PIN CHAIN
3	03828	TIE-DOWN CHAIN, GRADE 43, 5/16 X 42"
4	03829	TIE-DOWN CHAIN, GRADE 43, 5/16 X 86"
5	03711	QUICK LINK, 5/16
6	03822	RATCHET LOAD BINDER



NOTES:

1. CHAINS ARE LONG ENOUGH TO ADJUST FOR DESIRED TRAILER TONGUE WEIGHT DEPENDING ON TRENCHER BOOM LENGTH AND TYPE OF DIG CHAIN, WHICH VARY IN WEIGHT.
2. DRIVE TRACK TRENCHER ONTO TRAILER.
3. LOOP FRONT CHAIN THROUGH D-RING ON FRONT OF TRENCHER AND INTO KEYHOLE SLOT IN MOUNT.
4. BACK UP TRENCHER UNTIL FRONT CHAIN IS TIGHT.
5. LOOP REAR CHAIN THROUGH CHAIN LOOPS ON REAR OF TRENCHER AND D-RINGS ON TRAILER. HOOK TO RATCHET LOAD BINDER AND TIGHTEN.
6. THE QUICK LINK IS PROVIDED TO PREVENT LOSING THE CHAIN WHEN NOT IN USE. ATTACH IT BETWEEN CHAIN LINKS NEXT TO ONE OF THE TRAILER D-RINGS. NEVER APPLY THE TIE-DOWN LOAD TO IT.

TITLE: TIE-DOWN KIT, 1824TK

PRODUCT LINE: 4X6TBT

DATE: 5/30/08

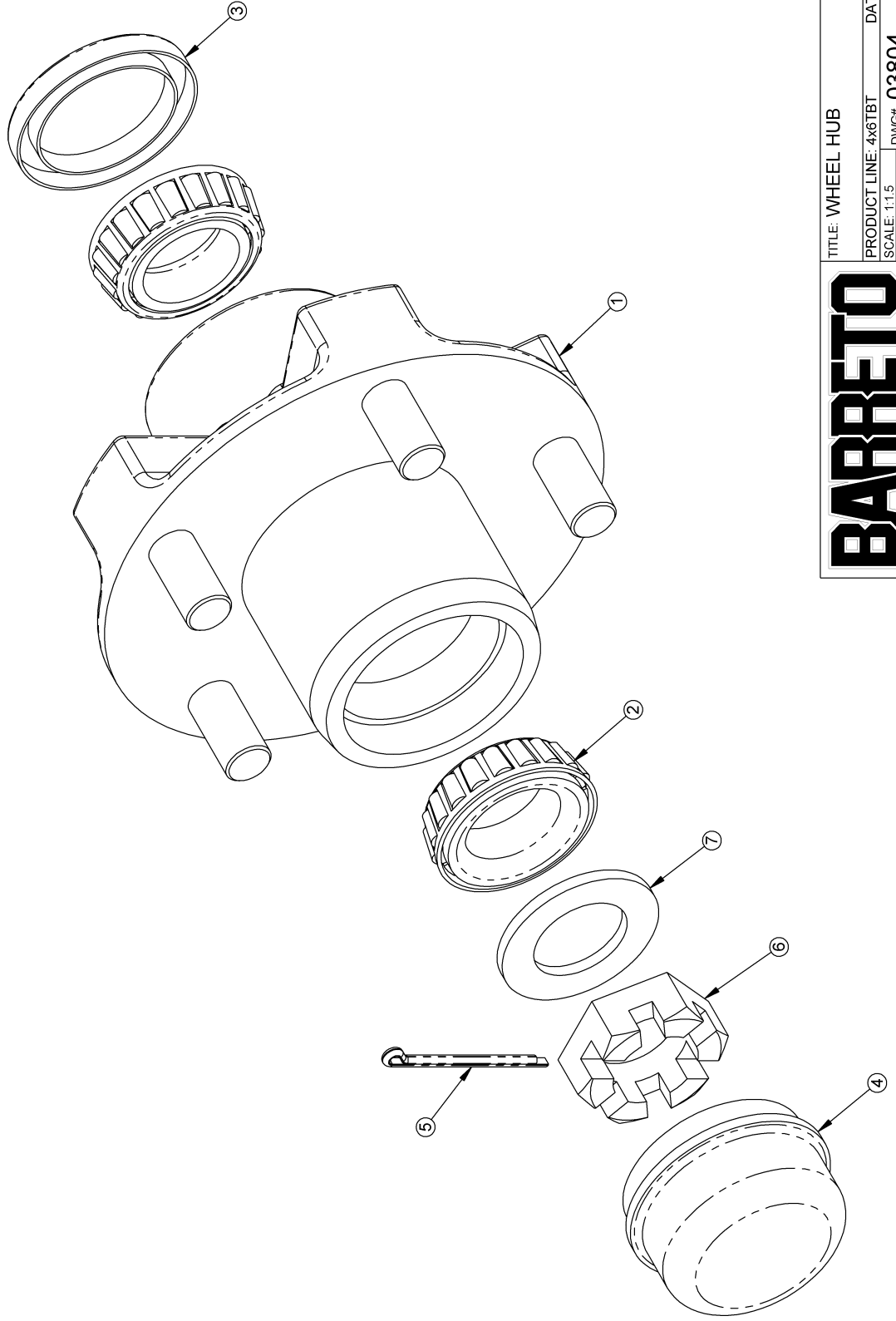
SCALE: 1:5.5

SHEET 1 OF 1

DWG# 00340

BARRETO

REF. QTY.	PART NO.	DESCRIPTION
1	03804-01	HUB - ORDER COMPLETE WHEEL HUB 03804
2	03804-02	BEARING
3	03804-03	SEAL
4	03804-04	GREASE CAP
5	03804-05	COTTER PIN 1/8 X 1-3/4
6	03804-06	NUT, 1-12 UNF CASTLE
7	03804-07	WASHER, 1 X 1-3/4 X 1/8 ZINC



TITLE: WHEEL HUB

PRODUCT LINE: 4x6TBT DATE: 8/23/07

SCALE: 1:1.5 DWG# 03804

SHEET 1 OF 1

