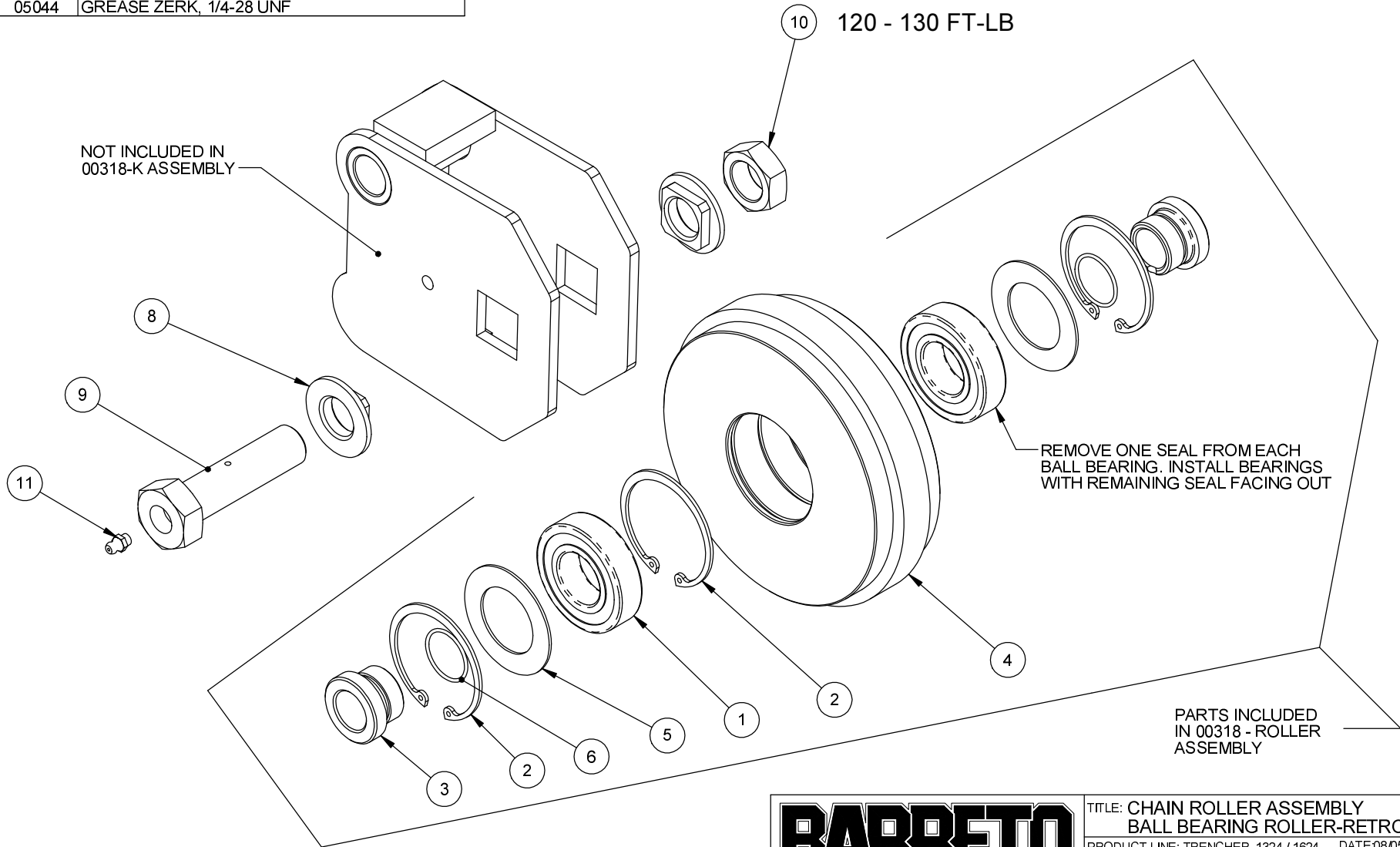
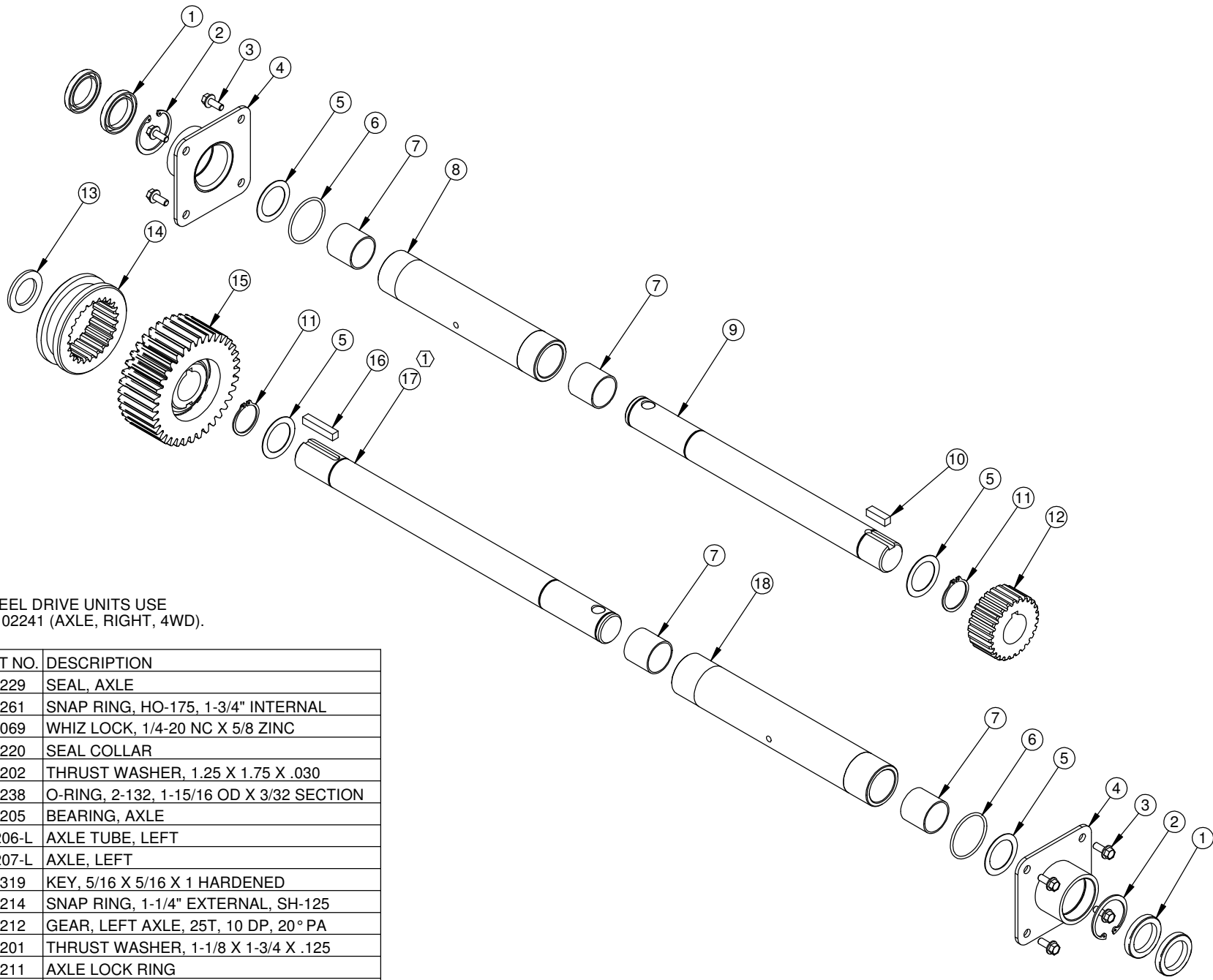


REF.	QTY.	PART NO.	DESCRIPTION
1	2	03280	BALL BEARING, SKF 6206
2	3	10742	SNAP RING, HO-244, 2-7/16 INTERNAL ZINC
3	2	10743	SPACER
4	1	02621-B	CHAIN ROLLER, BALL BRG
5	2	10745	THRUST WASHER, 1.501 X 2.434 X .060 ZINC
6	2	10858	O-RING, 2-023, 1-13/16 OD X 1/16 SECTION
8	2	10857	ROLLER AXLE LOCATOR, RETROFIT
9	1	10848-M	BOOM ROLLER AXLE, RETROFIT
10	1	05597	JAM NUT, GRIPCO 7/8 - 9
11	1	05044	GREASE ZERK, 1/4-28 UNF



BARRETO

TITLE: CHAIN ROLLER ASSEMBLY
 BALL BEARING ROLLER-RETROFIT
 PRODUCT LINE: TRENCHER, 1324 / 1624 DATE:08/05
 SCALE: 1:3
 SHEET 1 OF 1 DWG# 00318-K



① FOUR WHEEL DRIVE UNITS USE
PART NO. 02241 (AXLE, RIGHT, 4WD).

REF.	QTY.	PART NO.	DESCRIPTION
1	4	03229	SEAL, AXLE
2	2	03261	SNAP RING, HO-175, 1-3/4" INTERNAL
3	8	05069	WHIZ LOCK, 1/4-20 NC X 5/8 ZINC
4	2	02220	SEAL COLLAR
5	4	03202	THRUST WASHER, 1.25 X 1.75 X .030
6	2	03238	O-RING, 2-132, 1-15/16 OD X 3/32 SECTION
7	4	03205	BEARING, AXLE
8	1	02206-L	AXLE TUBE, LEFT
9	1	02207-L	AXLE, LEFT
10	1	05319	KEY, 5/16 X 5/16 X 1 HARDENED
11	2	05214	SNAP RING, 1-1/4" EXTERNAL, SH-125
12	1	02212	GEAR, LEFT AXLE, 25T, 10 DP, 20° PA
13	1	03201	THRUST WASHER, 1-1/8 X 1-3/4 X .125
14	1	02211	AXLE LOCK RING
15	1	02208	GEAR ASSEMBLY, WHEEL DRIVE
16	1	05207	KEY, 5/16 X 5/16 X 1-5/8
17	1	02207-R	AXLE, RIGHT
18	1	02206-R	AXLE TUBE, RIGHT

BARRETO

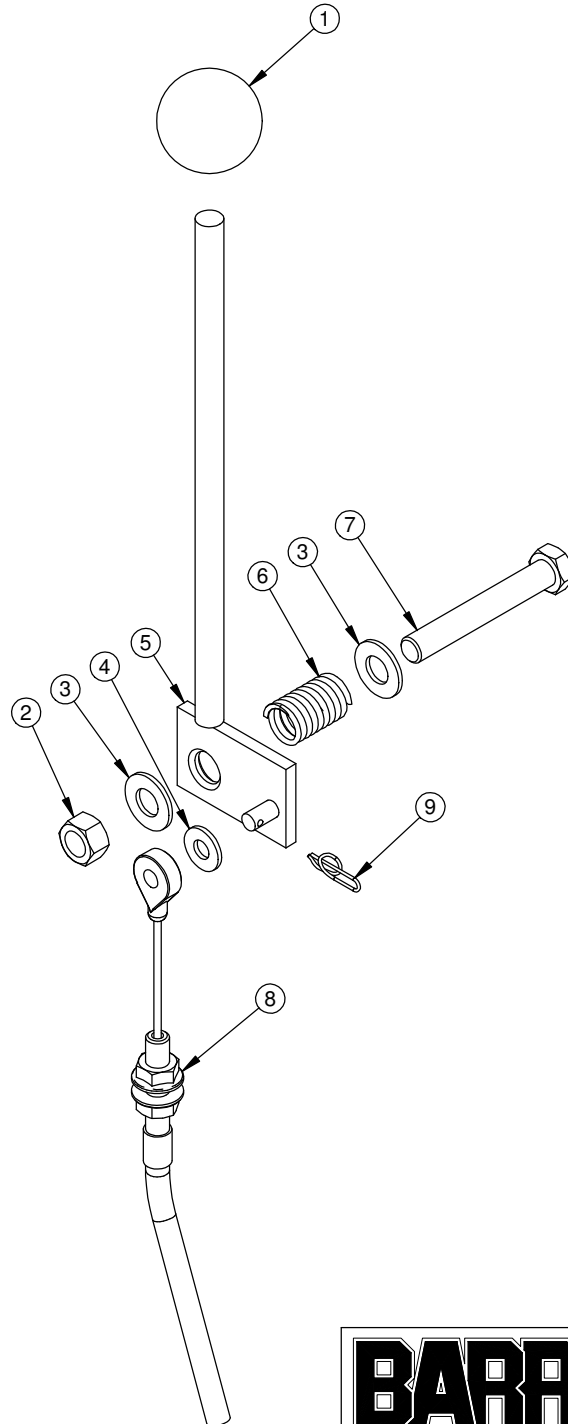
TITLE: AXLES

PRODUCT LINE: 1324/1624/1824 DATE: 8/8/07

SCALE: 1:5.4 DWG# 00379

SHEET 1 OF 1

REF.	QTY.	PART NO.	DESCRIPTION
1	1	03507	KNOB, 3/8-NC
2	1	05269	NUT, 3/8-16 NC GRB ZINC
3	2	05101	WASHER, 3/8 SAE ZINC
4	1	05081	WASHER, 1/4 SAE ZINC
5	1	01521	AXLE LOCK CONTROL
6	1	03066	SPRING, CENTURY S774
7	1	05249	HH CAP SCREW, 3/8-16 NC X 2-1/2 G5 ZINC
8	1	03514	CABLE, 40"
9	1	05038	RUE RING COTTER #8



BARRETO

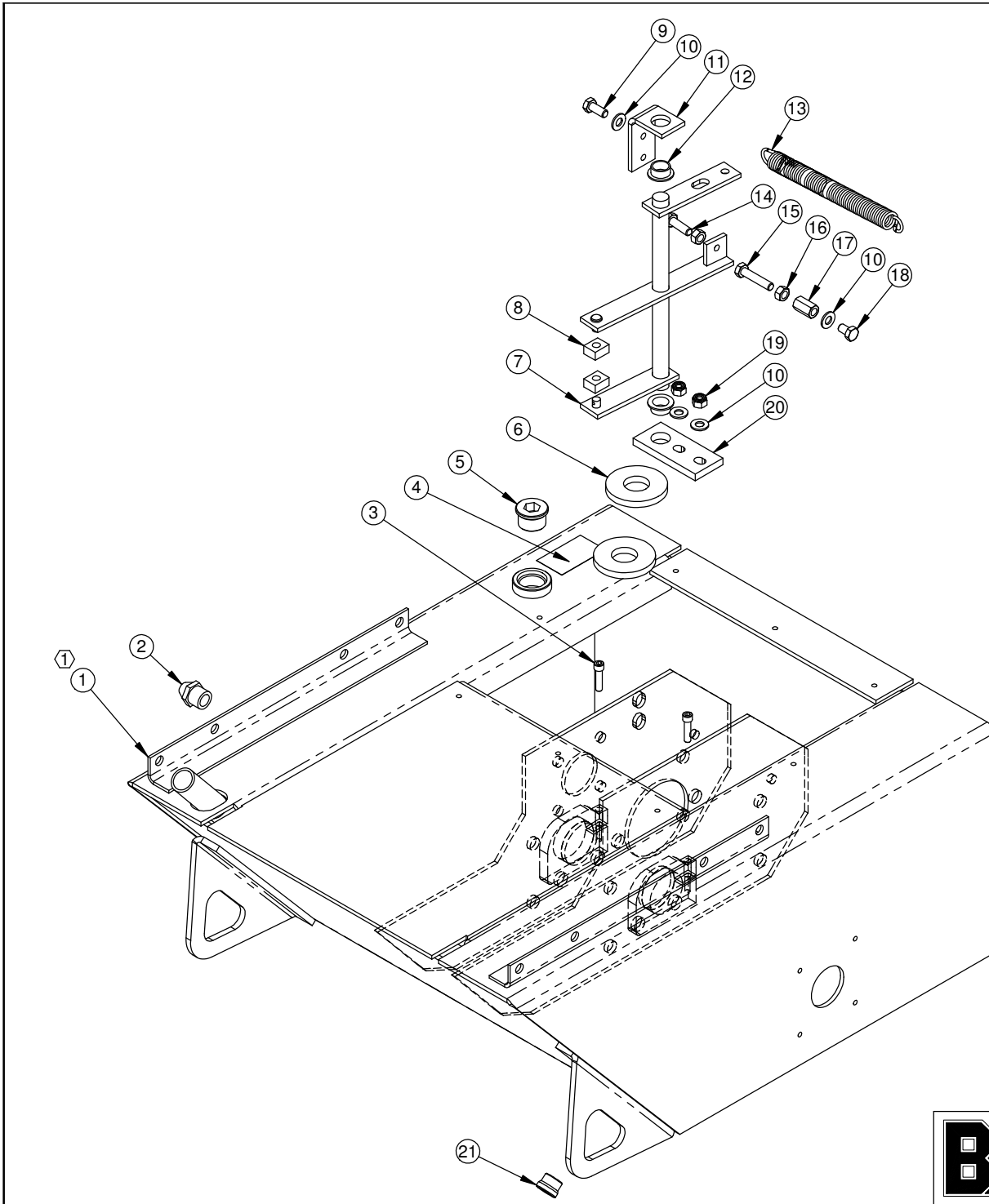
TITLE: AXLE LOCK CONTROL

PRODUCT LINE: 1324/1624/1824 DATE: 6/12/07

SCALE: 1:2.5

DWG# 00380

SHEET 1 OF 1



REF.	QTY.	PART NO.	DESCRIPTION
1	1	01200	LOWER BODY
2	1	03503	SIGHT GAUGE
3	2	05116	SH CAP SCREW, 1/4-20 NC X 1 PLAIN
4	1	03040-06	DECAL, "HYDRAULIC OIL ONLY"
5	1	10526	FITTING, 6409-12 PLUG
6	2	03520	MAGNET
7	1	01204	LOCK FORK
8	2	02214	SLIDER
9	1	05247	HH CAP SCREW, 5/16-18 NC X 3/4 G5 ZINC
10	4	05068	WASHER, 5/16 SAE ZINC
11	1	01206	LOCK FORK BRACKET
12	2	03060	BUSHING, IGUS MFI-1012-06
13	1	03220	SPRING, CENTURY 5586, 3/4 X 7-1/4
14	1	05248	HH CAP SCREW, 5/16-18 NC X 1 G5 PLAIN
15	1	05333	HH CAP SCREW, 5/16-18 NC X 1-1/2 G5 ZINC TAP
16	2	05264	NUT, 5/16-18 NC ZINC
17	1	05274	NUT, EXTENDED, 5/16-18 NC X 7/8 ZINC
18	1	05304	HH CAP SCREW, 5/16-18 NC X 1/2 G5 ZINC
19	2	05273	NUT, NYLOCK, 5/16-18 NC ZINC
20	1	01205	LOCK FORK BASE
21	1	10361	FITTING, 6409-8 PLUG

① FOUR WHEEL DRIVE UNITS USE PART NO. 01200-4WD (LOWER BODY, 4WD).

BARRETO

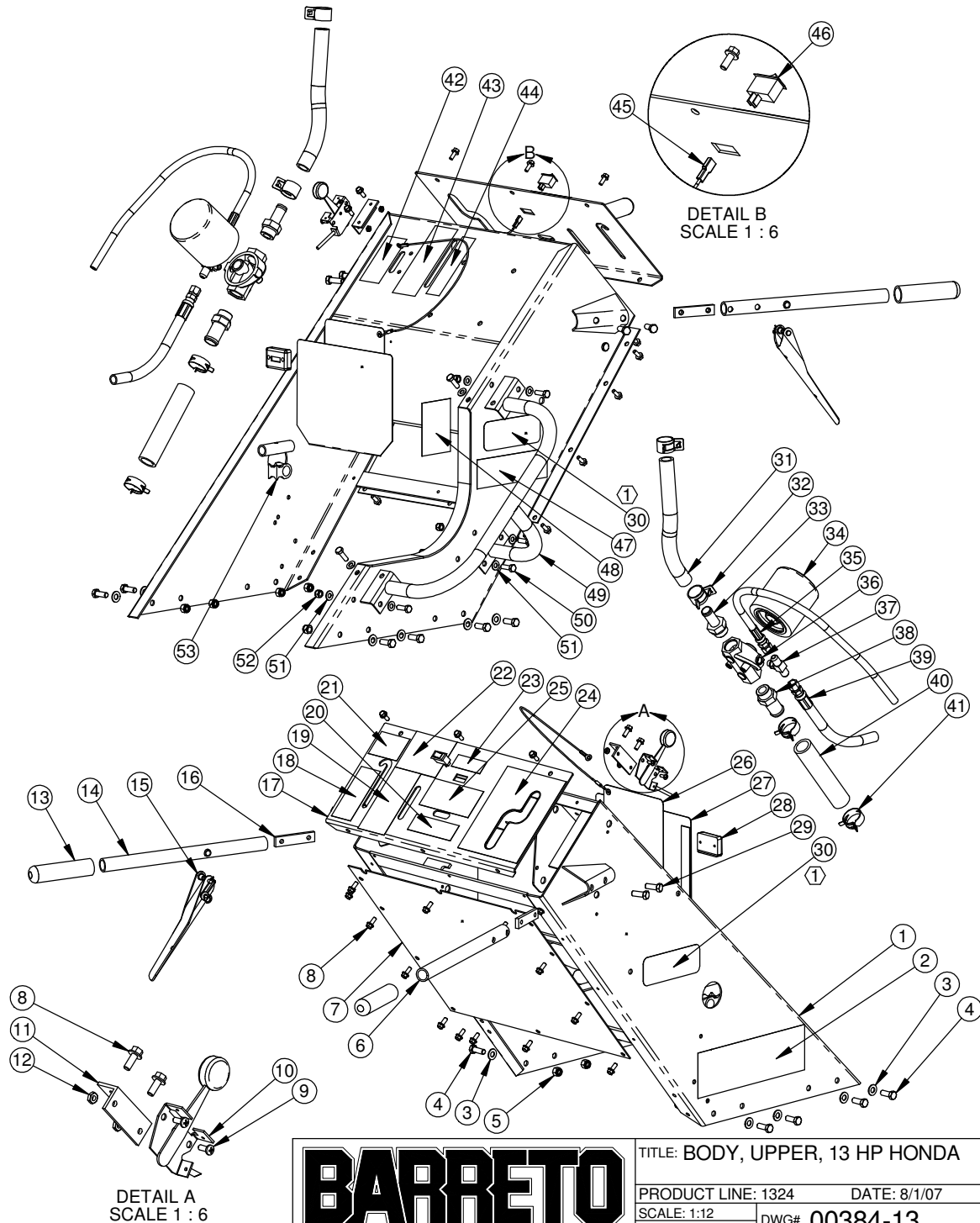
TITLE: BODY, LOWER

PRODUCT LINE: 1324/1624/1824 DATE: 8/7/07

SCALE: 1:6
SHEET 1 OF 1

DWG# 00383

REF.	QTY.	PART NO.	DESCRIPTION
1	1	01400-H	UPRIGHT BODY TOP, 13 HP HONDA
2	1	03040-02	DECAL, "BARRETO", 3-1/2 X 11-1/4
3	8	05101	WASHER, 3/8 SAE ZINC
4	8	05056	HH CAP SCREW, 3/8-24 NF X 1 G5 ZINC
5	8	05072	NUT, NYLOCK, 3/8-24 NF ZINC
6	1	01402-R+	HANDLE BAR, RH
7	1	01401	BACK COVER
8	19	05069	WHIZ LOCK, 1/4-20 NC X 5/8 ZINC
9	2	05233	SCREW #10-24 X 1/2 PPH
10	1	03515	THROTTLE CABLE
11	1	01522	THROTTLE BRACKET
12	2	05265	NUT, #10-24 NC
13	2	03032-01	GRIP, 1 X 5 (P/N 03032 IS A PAIR)
14	1	01402-L+	HANDLEBAR, LEFT
15	1	01503K	CLUTCH LEVER KIT
16	2	01403	HANDLE BAR SLUG
17	1	01500	CONTROL PANEL
18	1	03341-08	DECAL, "AXLE LOCK/UNLOCK"
19	1	03341-12	DECAL, "DIGGING BOOM, UP-DOWN"
20	1	03341-15	DECAL, DIGGING CHAIN PICTURE ON/OFF
21	1	03341-24	DECAL, "WARNING - NO PARKING BRAKE"
22	1	03341-04	DECAL, "CAUTION - TO AVOID INJURY"
23	1	03341-07	DECAL, "IGNITION OFF/ON"
24	1	03341-11	DECAL, "GROUND SPEED"
25	1	03341-09	DECAL, "DIGGING CHAIN ON/OFF"
26	1	03341-06COMP	INSTRUCTION SHEET, COMPLETE
27	1	01630	INSTRUCTION HOLDER, COMPLETE
28	1	03009	HOUR METER - COMPLETE KIT
29	4	05059	HH CAP SCREW, 3/8-16 NC X 1 G5 ZINC
30	2	03341-21	DECAL, "SNAP LOC 4WD"
31	1	04542	HOSE, VALVE TO FILTER
32	2	05008	CLAMP, 1" HOSE, CTB-29
33	1	04219	FITTING, 4604-12-12
34	1	03951	FILTER, HYDRAULIC OIL, WITH BY-PASS
35	1	04558 REF	HOSE, CASE DRAIN
36	1	04212-OR-TL	OIL FILTER MOUNT
37	1	10408	FITTING, 6803-6-6-4
38	1	04217	FITTING, 4604-16-12
39	1	04543 REF	HOSE, HYDROSTAT TO FILTER
40	1	04541	HOSE, 1 X 6-1/2, RETURN TO TANK
41	2	05225	CLAMP, 1-1/2" HOSE, CTB-35 ST
42	1	03341-13	DECAL, "ENGINE" FAST/SLOW
43	1	03341-16	DECAL, "CHAIN" FWD/N/REV PICTURE
44	1	03341-10	DECAL, DIG CHAIN "FWD/N/REV"
45	1	11365	IGNITION WIRE, 35-1/2", 13 & 18 HP HONDA
46	1	06420	ROCKER SWITCH, IGNITION OFF/ON
47	1	03040-11	DECAL, "BARRETO", 2-3/16 X 7-3/8
48	1	03341-19	DECAL, CHOKE, FUEL
49	1	01412	ENGINE GUARD, 1324
50	6	05315	HH CAP SCREW, 5/16-18 NC X 1 G5 ZINC
51	12	05068	WASHER, 5/16 SAE ZINC
52	6	05273	NUT, NYLOCK, 5/16-18 NC ZINC
53	1	06423	STARTER GROMMET WITH HARDWARE



① ONLY FOR FOUR WHEEL DRIVE UNITS.

DETAIL A
SCALE 1 : 6

BARRETO

TITLE: BODY, UPPER, 13 HP HONDA

PRODUCT LINE: 1324 DATE: 8/1/07

SCALE: 1:12
SHEET 1 OF 1

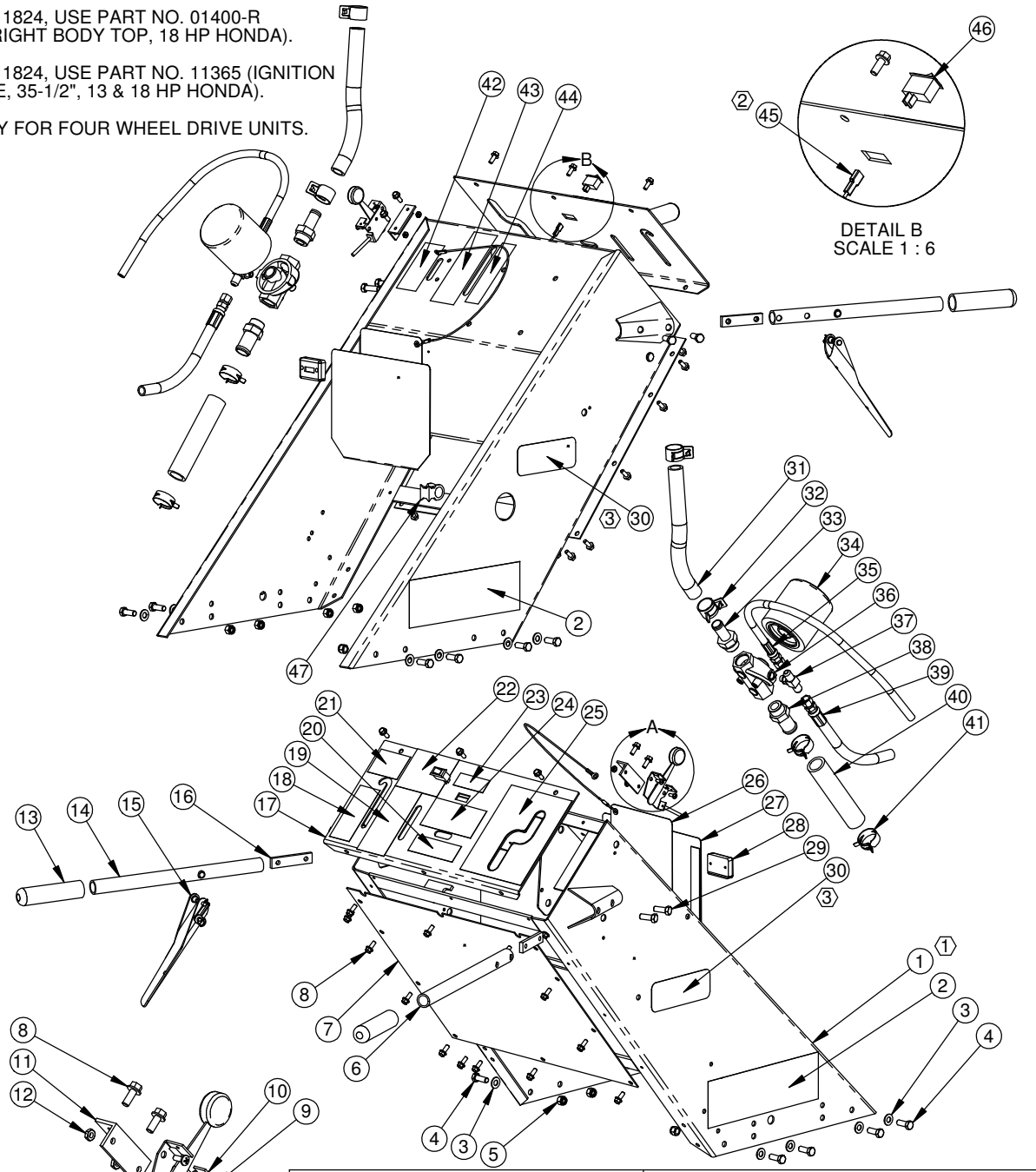
DWG# 00384-13

REF.	QTY.	PART NO.	DESCRIPTION
1	1	01400	UPRIGHT BODY TOP, 16 HP BRIGGS
2	2	03040-02	DECAL, "BARRETO", 3-1/2 X 11-1/4
3	8	05101	WASHER, 3/8 SAE ZINC
4	8	05056	HH CAP SCREW, 3/8-24 NF X 1 G5 ZINC
5	8	05072	NUT, NYLOCK, 3/8-24 NF ZINC
6	1	01402-R+	HANDLE BAR, RH
7	1	01401	BACK COVER
8	19	05069	WHIZ LOCK, 1/4-20 NC X 5/8 ZINC
9	2	05233	SCREW #10-24 X 1/2 PPH
10	1	03515	THROTTLE CABLE
11	1	01522	THROTTLE BRACKET
12	2	05265	NUT, #10-24 NC
13	2	03032-01	GRIP, 1 X 5 (P/N 03032 IS A PAIR)
14	1	01402-L+	HANDLEBAR, LEFT
15	1	01503K	CLUTCH LEVER KIT
16	2	01403	HANDLE BAR SLUG
17	1	01500	CONTROL PANEL
18	1	03341-08	DECAL, "AXLE LOCK/UNLOCK"
19	1	03341-12	DECAL, "DIGGING BOOM, UP-DOWN"
20	1	03341-15	DECAL, DIGGING CHAIN PICTURE ON/OFF
21	1	03341-24	DECAL, "WARNING - NO PARKING BRAKE"
22	1	03341-04	DECAL, "CAUTION - TO AVOID INJURY"
23	1	03341-07	DECAL, "IGNITION OFF/ON"
24	1	03341-09	DECAL, "DIGGING CHAIN ON/OFF"
25	1	03341-11	DECAL, "GROUND SPEED"
26	1	03341-06COMP	INSTRUCTION SHEET, COMPLETE
27	1	01630	INSTRUCTION HOLDER, COMPLETE
28	1	03009	HOUR METER - COMPLETE KIT
29	4	05059	HH CAP SCREW, 3/8-16 NC X 1 G5 ZINC
30	2	03341-21	DECAL, "SNAP LOC 4WD"
31	1	04542	HOSE, VALVE TO FILTER
32	2	05008	CLAMP, 1" HOSE, CTB-29
33	1	04219	FITTING, 4604-12-12
34	1	03951	FILTER, HYDRAULIC OIL, WITH BY-PASS
35	1	04558 REF	HOSE, CASE DRAIN
36	1	04212-OR-TL	OIL FILTER MOUNT
37	1	10408	FITTING, 6803-6-6-4
38	1	04217	FITTING, 4604-16-12
39	1	04543 REF	HOSE, HYDROSTAT TO FILTER
40	1	04541	HOSE, 1 X 6-1/2, RETURN TO TANK
41	2	05225	CLAMP, 1-1/2" HOSE, CTB-35 ST
42	1	03341-13	DECAL, "ENGINE" FAST/SLOW
43	1	03341-16	DECAL, "CHAIN" FWD/N/REV PICTURE
44	1	03341-10	DECAL, DIG CHAIN "FWD/N/REV"
45	1	11366	IGNITION WIRE, 35-1/2", 16 HP B&S
46	1	06420	ROCKER SWITCH, IGNITION OFF/ON
47	1	06423	STARTER GROMMET WITH HARDWARE

① FOR 1824, USE PART NO. 01400-R (UPRIGHT BODY TOP, 18 HP HONDA).

② FOR 1824, USE PART NO. 11365 (IGNITION WIRE, 35-1/2", 13 & 18 HP HONDA).

③ ONLY FOR FOUR WHEEL DRIVE UNITS.



DETAIL A
SCALE 1 : 6

DETAIL B
SCALE 1 : 6

BARRETO

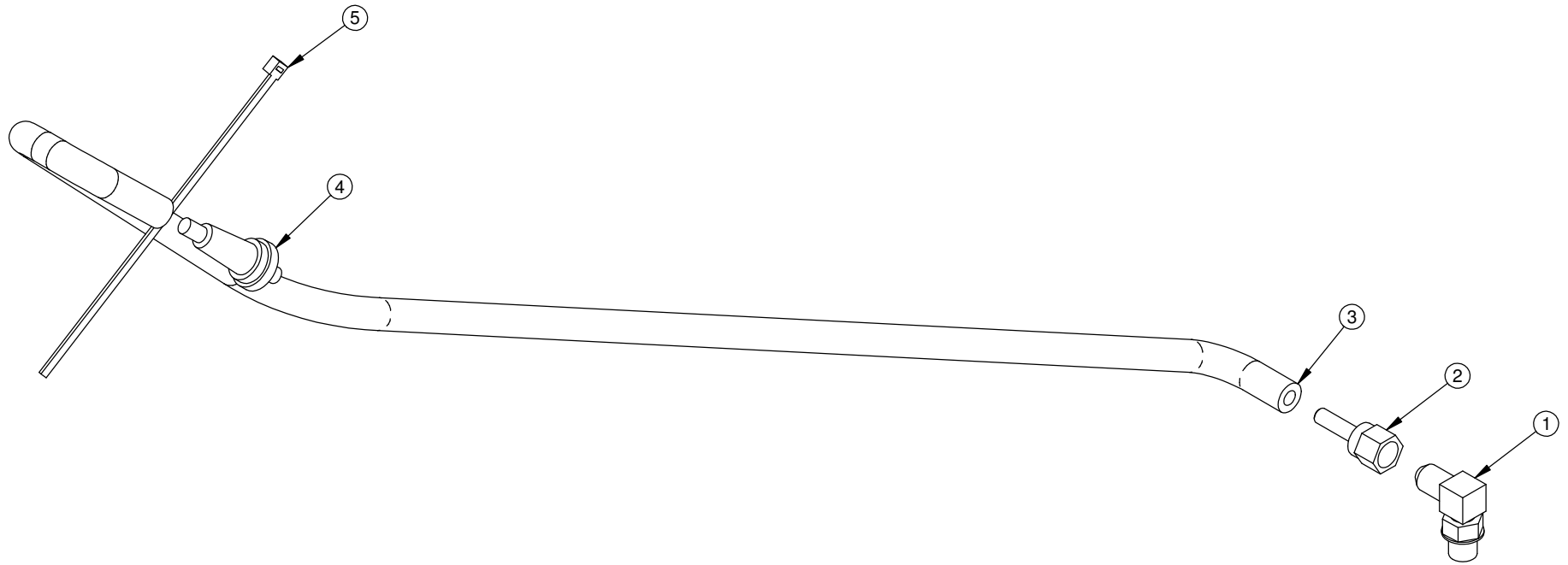
TITLE: BODY, UPPER, 16 & 18 HP

PRODUCT LINE: 1624 & 1824 DATE: 8/1/07

SCALE: 1:12
SHEET 1 OF 1

DWG# 00384-16&18

REF.	QTY.	PART NO.	DESCRIPTION
1	1	04555	FITTING, 6801-4-4
2	1	04214	FITTING, JS-4-4, HOSE BARB 1/4 X 1/4 SWIVEL
3	1	11364	HOSE, 1/4 INCH GASOLINE, 4L5, 44" LONG
4	1	04516	BREATHER, FILTER SNAPPER 1435
5	1	03035	TIE WRAP, 1/8 X 6



BARRETO

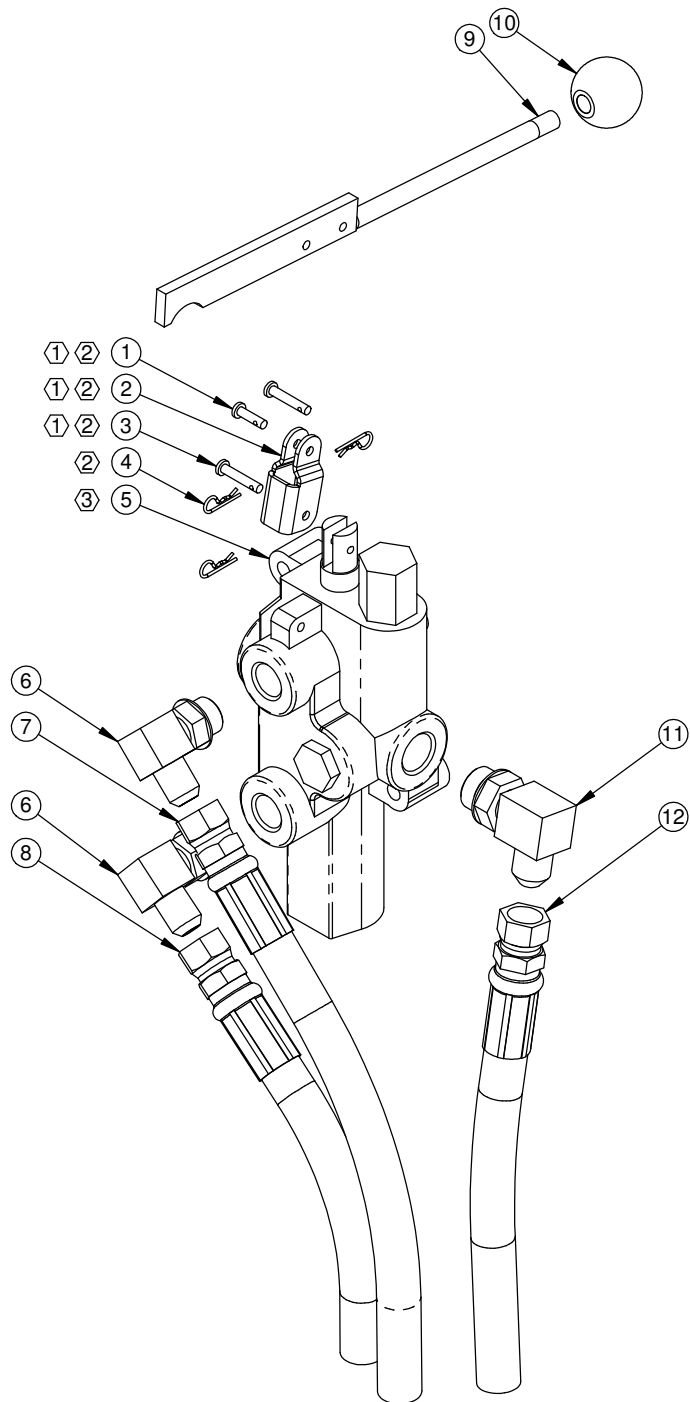
TITLE: BREATHER HOSE

PRODUCT LINE: 1324/1624/1824 DATE: 6/12/07

SCALE: 1:2.5

DWG# 00385

SHEET 1 OF 1



REF.	QTY.	PART NO.	DESCRIPTION
1	1	03509-01	CLEVIS PIN, 3/16 X 7/16
2	1	03509-04	BRACKET
3	2	03509-02	CLEVIS PIN, 3/16 X 3/4
4	3	05310	HAIR SPRING COTTER #2
5	1	04513-D	VALVE RD-2508-M4, 13 & 16 HP
6	2	04554	FITTING, 6801-8-8
7	1	04549-01	HOSE, M-VALVE PORT A TO DIG CHAIN MOTOR UPPER PORT
8	1	04550-01	HOSE, M-VALVE PORT B TO DIG CHAIN MOTOR LOWER PORT
9	1	01520	LEVER, CHAIN VALVE
10	1	03507	KNOB, 3/8-NC
11	1	04211	FITTING, 6801-8-10
12	1	04551-01 REF	HOSE, PUMP TO VALVES

NOTES:

- ① ITEMS INDICATED COME WITH VALVE, PART NUMBER 04513-D (VALVE, RD-2508-M4).
- ② ITEMS INDICATED MAY BE ORDERED AS A KIT, PART NUMBER 03509 (VALVE PIN KIT).
- ③ FOR 1824, USE PART NO. 04509 (VALVE, RD-4100-M4, 18 HP).

BARRETO

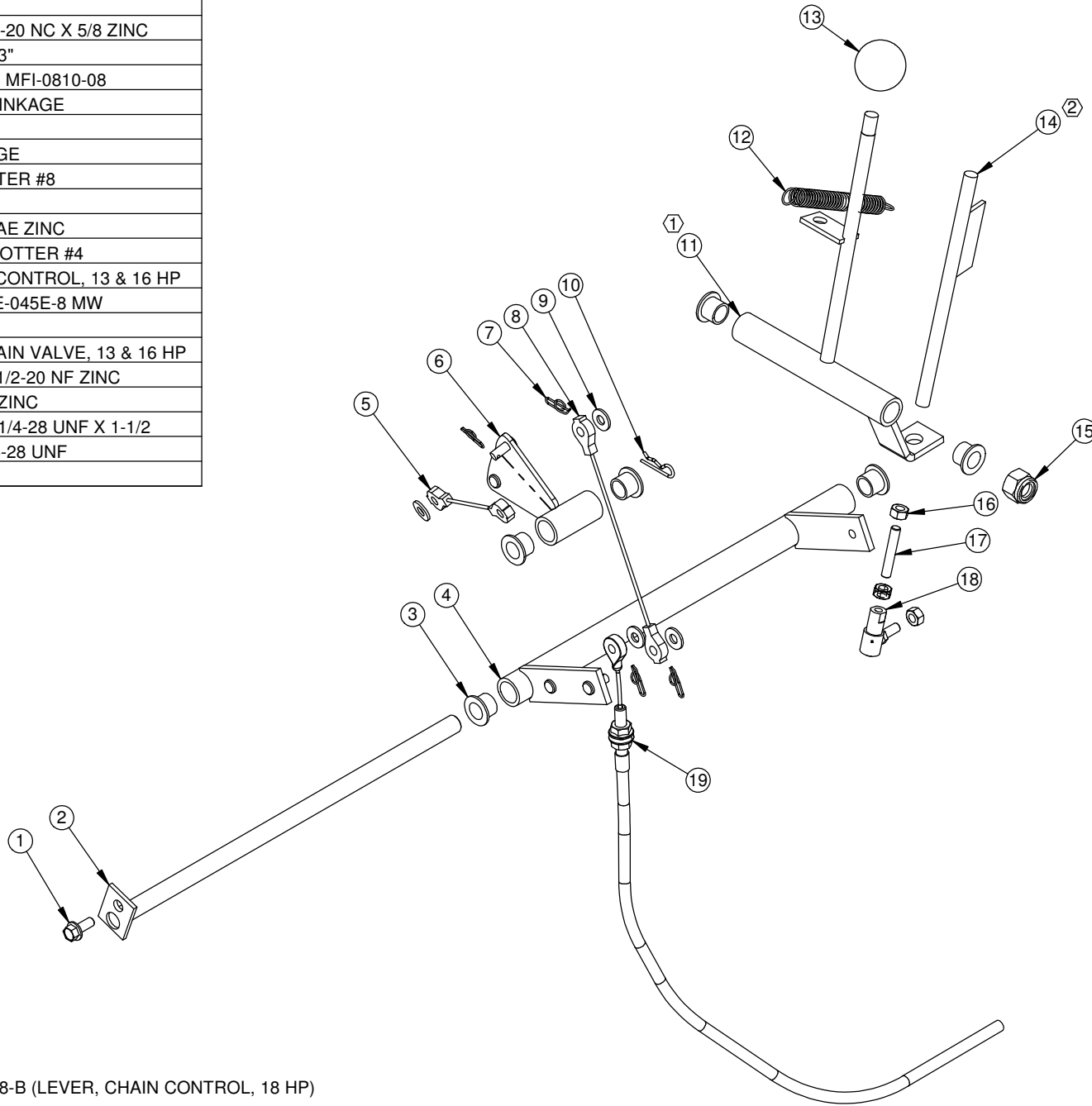
TITLE: CHAIN VALVE & CONTROL

PRODUCT LINE: 1324/1624/1824 DATE: 6/12/07

SCALE: 1:3.7
SHEET 1 OF 1

DWG# 00386

REF.	QTY.	PART NO.	DESCRIPTION
1	1	05069	WHIZ LOCK, 1/4-20 NC X 5/8 ZINC
2	1	01513-13	LINKAGE PIN, 13"
3	6	03501	BUSHING, IGUS MFI-0810-08
4	1	01516	CHAIN VALVE LINKAGE
5	1	03505	CABLE, 4-1/2"
6	1	01502	CLUTCH LINKAGE
7	4	05038	RUE RING COTTER #8
8	1	03506	CABLE, 6-1/2"
9	4	05081	WASHER, 1/4 SAE ZINC
10	1	03065	HAIR SPRING COTTER #4
11	1	01518	LEVER, CHAIN CONTROL, 13 & 16 HP
12	1	03224	SPRING, LEE LE-045E-8 MW
13	1	03507	KNOB, 3/8-NC
14	1	01517	PUSH ROD, CHAIN VALVE, 13 & 16 HP
15	1	05075	NUT, NYLOCK, 1/2-20 NF ZINC
16	3	05267	NUT, 1/4-28 NF ZINC
17	1	05503	LINKAGE ROD, 1/4-28 UNF X 1-1/2
18	1	03511	BALL JOINT, 1/4-28 UNF
19	1	03045	CABLE



① FOR 1824, USE PART NO. 01518-B (LEVER, CHAIN CONTROL, 18 HP)

② FOR 1824, USE PART NO. 01517-B (PUSH ROD, CHAIN VALVE, 18 HP)

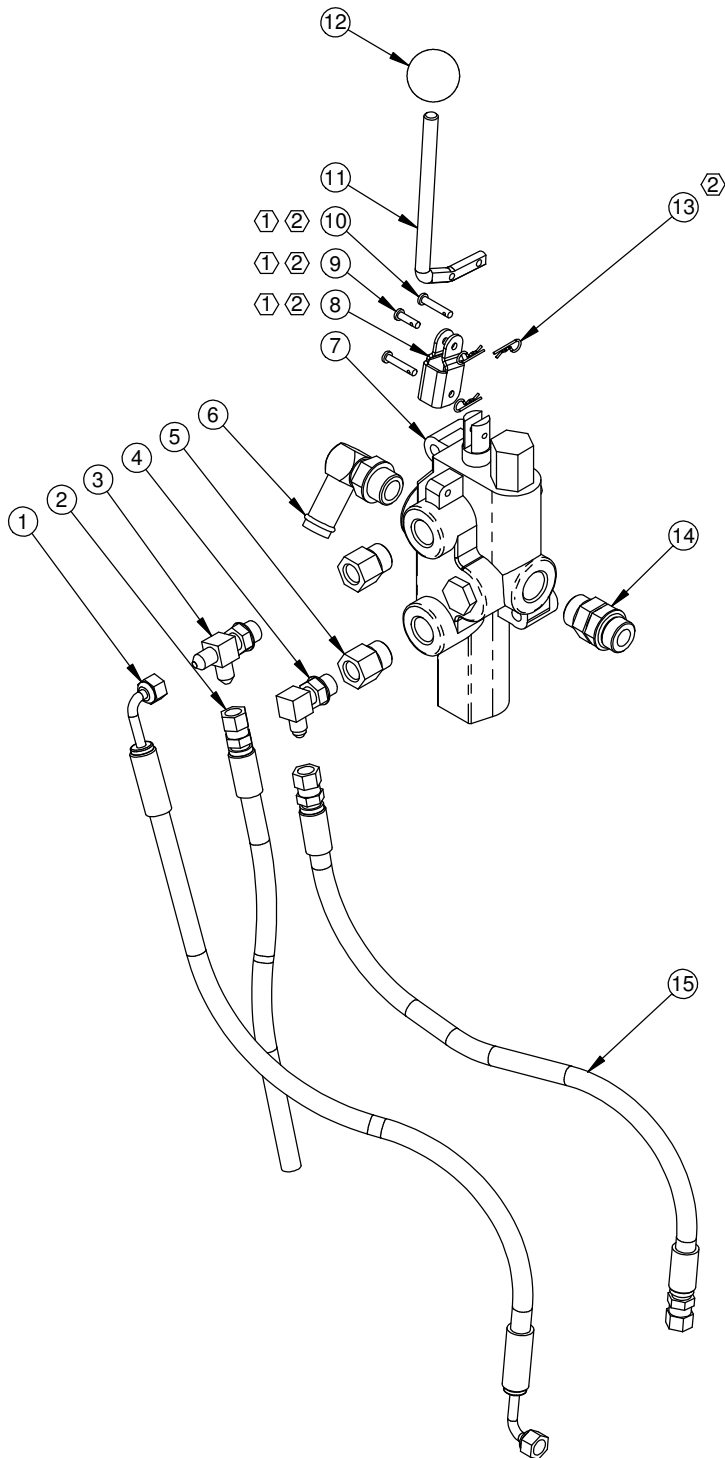
BARRETO

TITLE: CHAIN VALVE LINKAGE

PRODUCT LINE: 1324/1624/1824 DATE: 8/20/07

SCALE: 1:4.3
SHEET 1 OF 1

DWG# 00387



REF.	QTY.	PART NO.	DESCRIPTION
1	1	10494	HOSE, T-VALVE PORT A TO CB-VALVE 3
2	1	04552-01 REF	HOSE, 1/4 X 43 SINGLE BRAID
3	1	04564	FITTING, 6804-4-6-4
4	1	04527-01	FITTING, 6801-4-6
5	2	04529	FITTING, 6410-8-6
6	1	04523	FITTING, 4601-12-10
7	1	04512	VALVE RD-2508-T4
8	1	03509-04	BRACKET
9	1	03509-01	CLEVIS PIN, 3/16 X 7/16
10	2	03509-02	CLEVIS PIN, 3/16 X 3/4
11	1	01523	CYLINDER LEVER
12	1	03507	KNOB, 3/8-NC
13	3	05310	HAIR SPRING COTTER #2
14	1	04521	FITTING, 6407-10-10
15	1	10495	HOSE, T-VALVE PORT B TO CB-VALVE 2

NOTES:

- ① ITEMS INDICATED COME WITH VALVE, PART NUMBER 04512 (VALVE, RD-2508-T4).
- ② ITEMS INDICATED MAY BE ORDERED AS A KIT, PART NUMBER 03509 (VALVE PIN KIT).

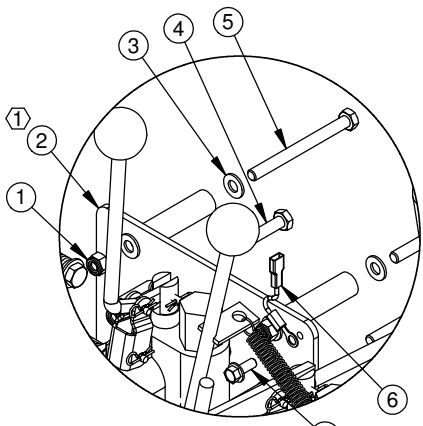
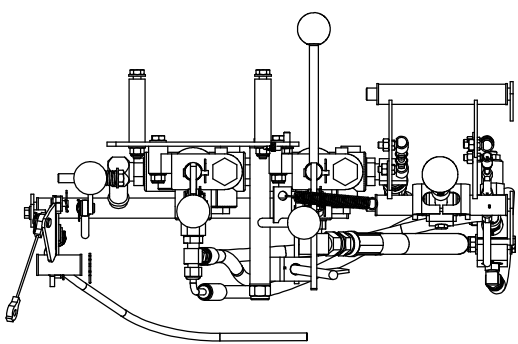
BARRETO

TITLE: CYLINDER VALVE & CONTROL

PRODUCT LINE: 1324/1624/1824 DATE: 8/7/07

SCALE: 1:5
SHEET 1 OF 1

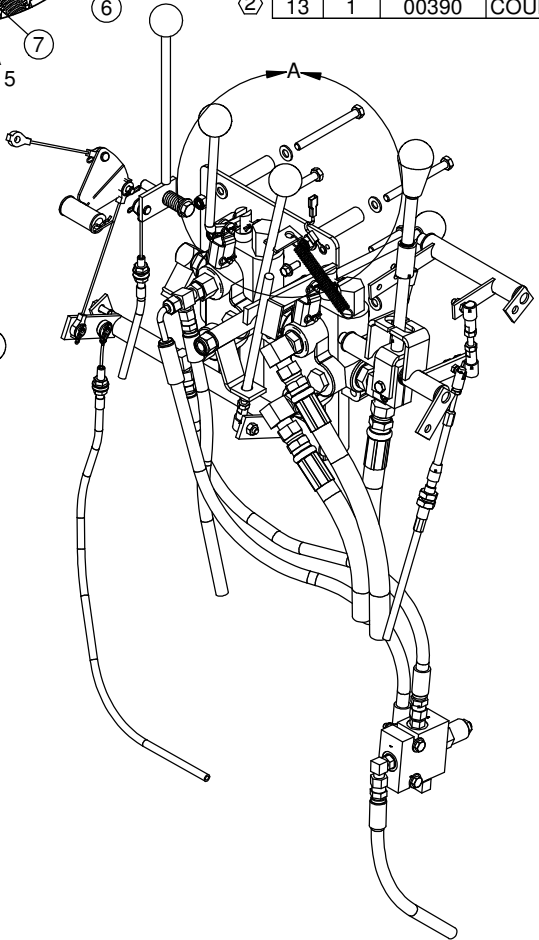
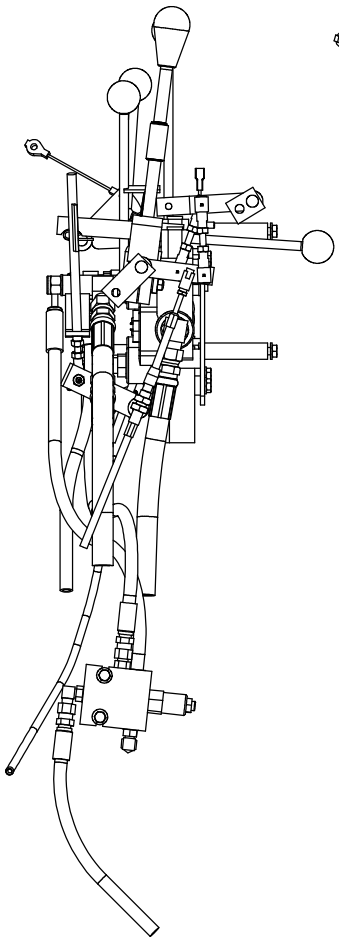
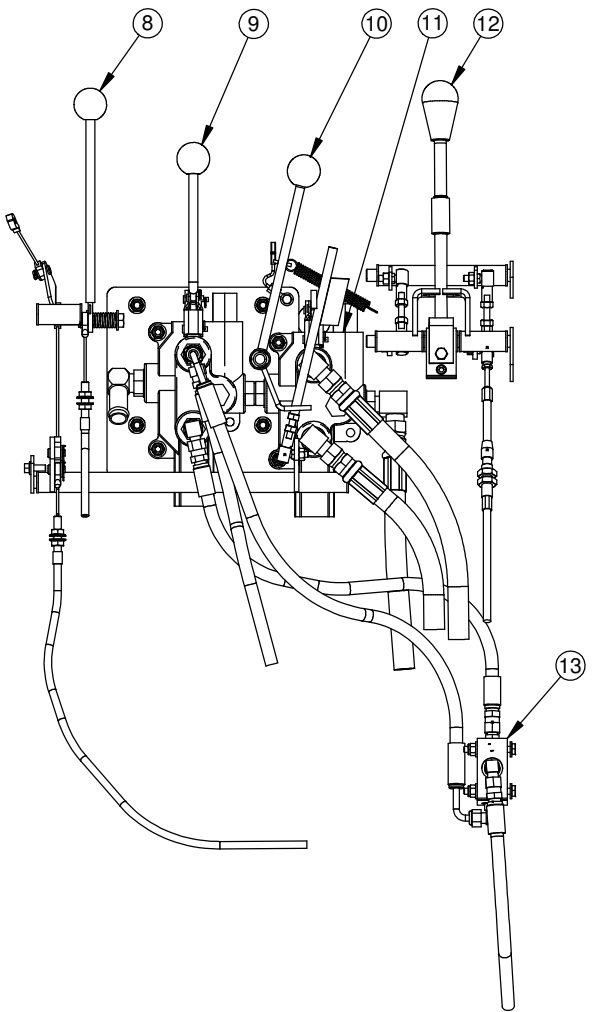
DWG# 00388



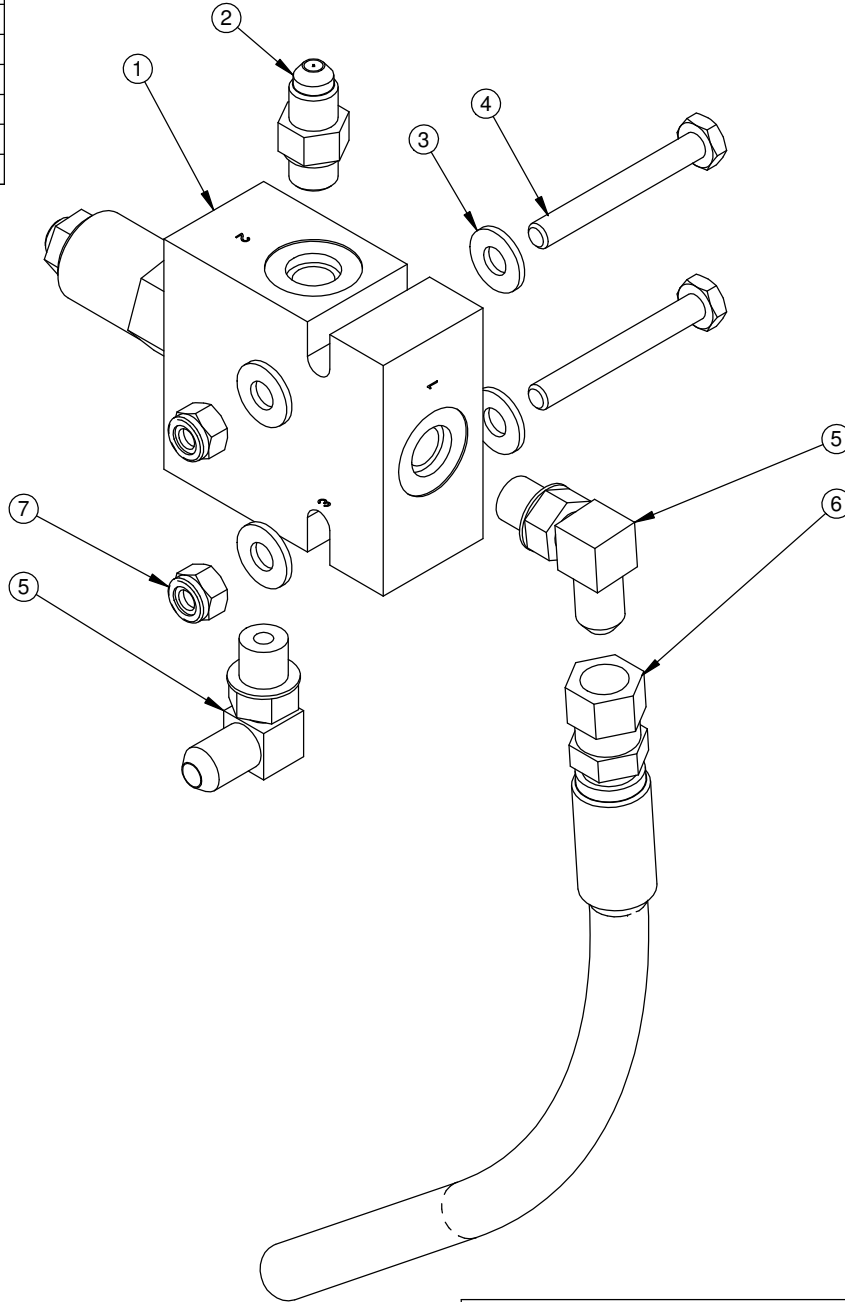
DETAIL A
SCALE 1 : 5

REF.	QTY.	PART NO.	DESCRIPTION	
1	8	05273	NUT, NYLOCK, 5/16-18 NC ZINC	
2	1	01501	CONTROL VALVE MOUNT	
3	16	05068	WASHER, 5/16 SAE ZINC	
4	4	05054	HH CAP SCREW, 5/16-18 NC X 1-3/4 G5 ZINC	
5	4	05246	HH CAP SCREW, 5/16-18 NC X 3-1/2 G5 ZINC	
6	1	11368	GROUND WIRE, IGNITION SWITCH	
7	1	05069	WHIZ LOCK, 1/4-20 NC X 5/8 ZINC	
②	8	1	00380	AXLE LOCK CONTROL
②	9	1	00388	CYLINDER VALVE & CONTROL
②	10	1	00387	CHAIN VALVE LINKAGE
②	11	1	00386	CHAIN VALVE & CONTROL
②	12	1	00407	SPEED CONTROL
②	13	1	00390	COUNTER BALANCE VALVE

- ① FOR 1824, USE PART NO. 01501-H (CONTROL VALVE MOUNT, 18 HP)
- ② REFERENCE DWG# SHOWN FOR INDIVIDUAL PARTS



REF.	QTY.	PART NO.	DESCRIPTION
1	1	04508-R	C-BALANCE VALVE, SINGLE
2	1	04560	FITTING, 6400-4-4
3	4	05081	WASHER, 1/4 SAE ZINC
4	2	05591	HH CAP SCREW, 1/4-20 NC X 2 G5 ZINC
5	2	04555	FITTING, 6801-4-4
6	1	04552-01 REF	HOSE, 1/4 X 43 SINGLE BRAID
7	2	05096	NUT, NYLOCK, 1/4-20 NC ZINC



BARRETO

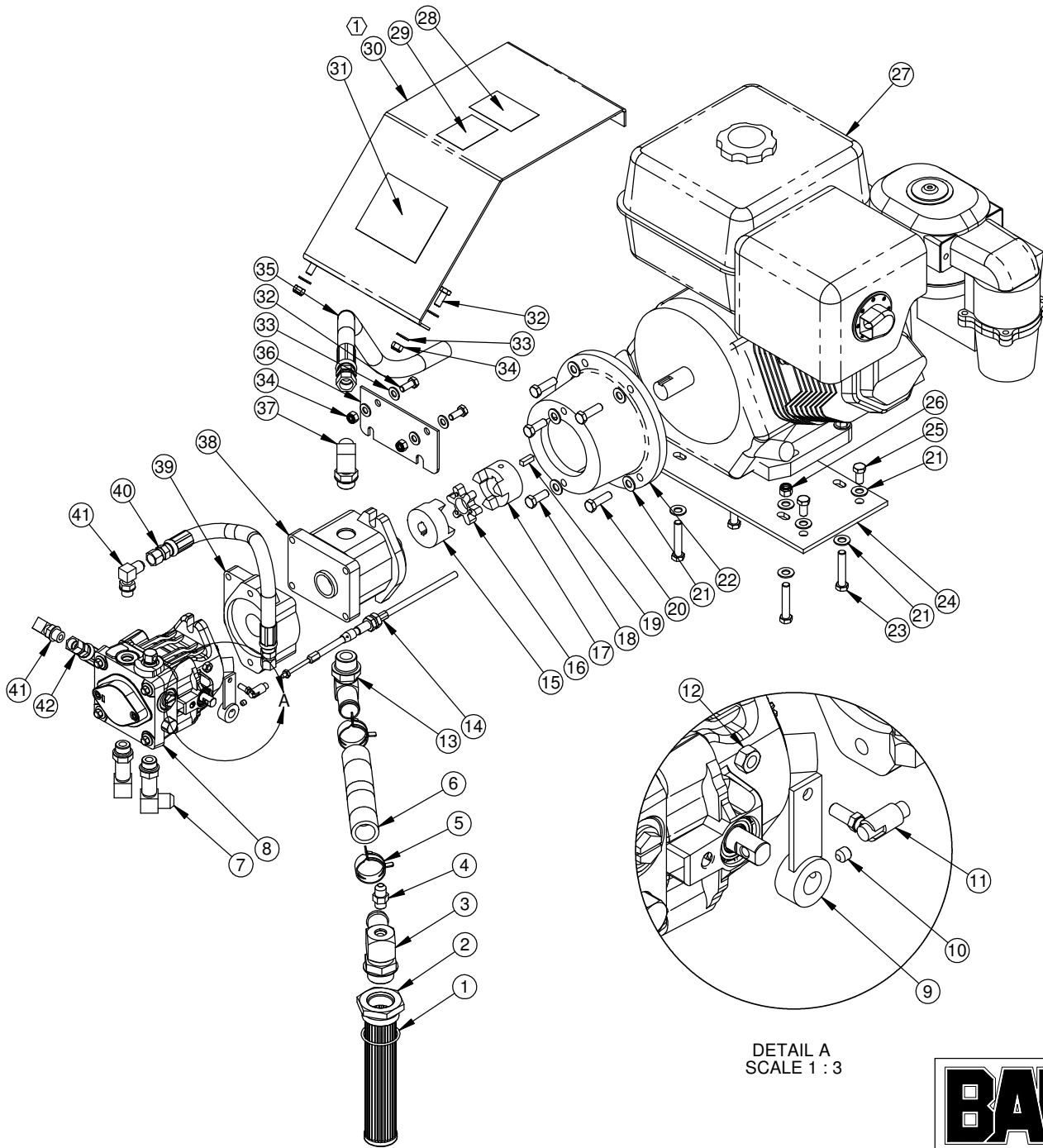
TITLE: COUNTER BALANCE VALVE

PRODUCT LINE: 1324/1624/1824 DATE: 6/26/07

SCALE: 1:1.7

DWG# 00390

SHEET 1 OF 1

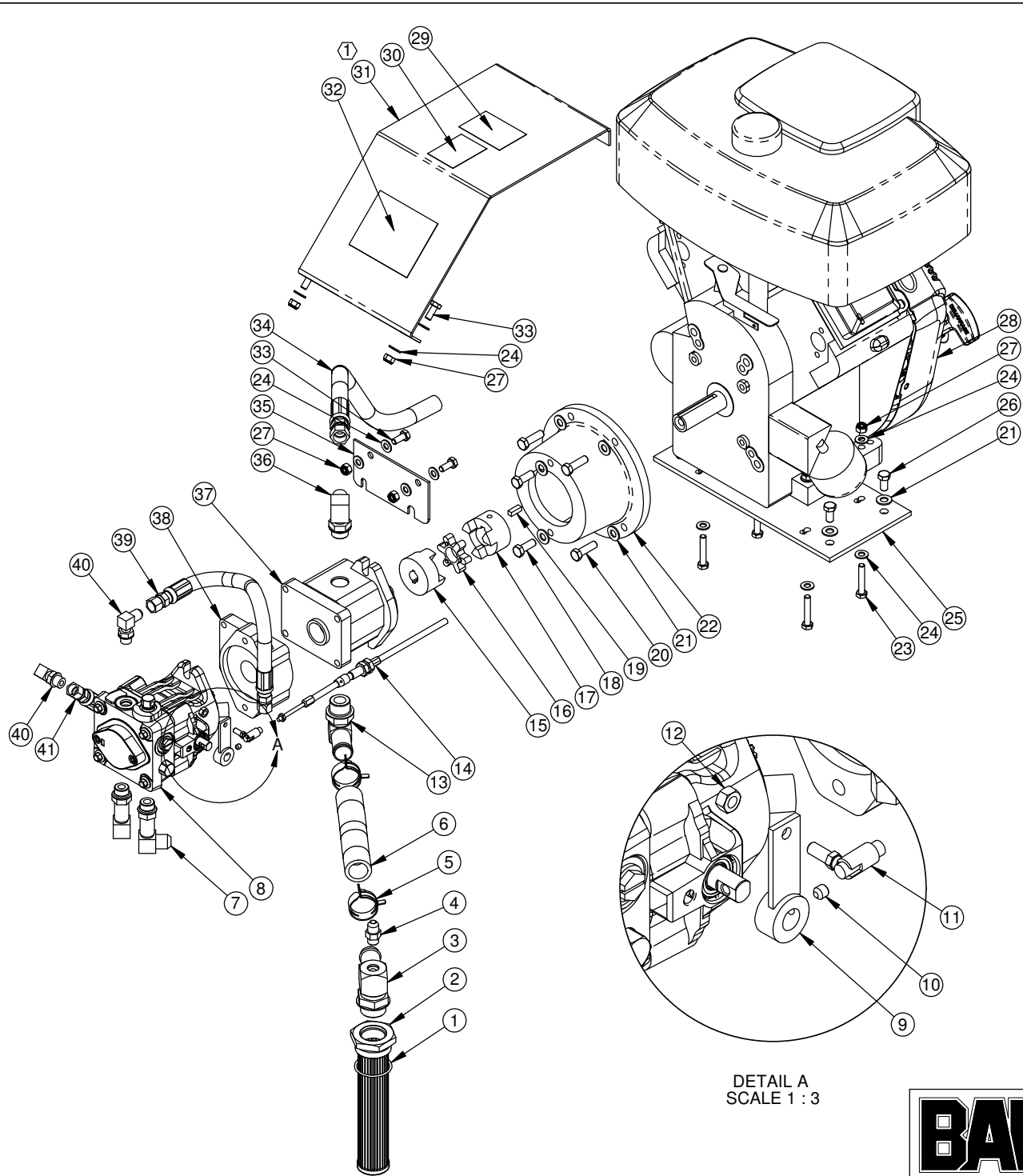


DETAIL A
SCALE 1 : 3

REF.	QTY.	PART NO.	DESCRIPTION
1	1	03292	O-RING, 3-924N90, -24 FITTINGS
2	1	10636	SUMP SCREEN, #24 EXT #16 INT O-RING
3	1	10680	FITTING, 4601-16-16-TAP
4	1	10401	FITTING, 6400-6-6
5	2	05225	CLAMP, 1-1/2" HOSE, CTB-35 ST
6	1	11363	HOSE, PUMP INTAKE
7	2	04533	FITTING, 6801-8-8-LL
8	1	04506	PUMP, PG-10 HYDROSTATIC
9	1	01216	LEVER, HYDRO PUMP
10	1	05020	SET SCREW, 1/4-20 UNC X 1/4
11	1	03510	BALL JOINT, 1/4-28 NF, 10-32, DETACHABLE
12	1	05267	NUT, 1/4-28 NF ZINC
13	1	04530	FITTING, 4601-16-12
14	1	03516 REF	CABLE, WHEEL SPEED
15	1	03021	JAW COUPLER, PUMP, 5/8" BORE
16	1	03022	SPIDER, RUBBER
17	1	03023	JAW COUPLER, 1" BORE L095
18	2	05059	HH CAP SCREW, 3/8-16 NC X 1 G5 ZINC
19	1	05014	KEY, 1/4 X 1/4 X 3/4
20	4	05091	HH CAP SCREW, 3/8-16 NC X 1-1/4 G5 ZINC
21	18	05101	WASHER, 3/8 SAE ZINC
22	1	02016	PUMP ADAPTER
23	4	05262	HH CAP SCREW, 3/8-16 NC X 2 G5 ZINC
24	1	01218-H	ENGINE MOUNT PLATE, HONDA 13 & 18 HP
25	4	05057	HH CAP SCREW, 3/8-16 NC X 3/4 G5 ZINC
26	4	05073	NUT, NYLOCK, 3/8-16 NC ZINC
27	1	07007	ENGINE, 13 HP HONDA GX390 CYCLONE AIR
28	1	03341-24	DECAL, "WARNING - NO PARKING BRAKE"
29	1	03040-01	DECAL, "MADE IN USA"
30	1	01217	PUMP SHIELD, STANDARD 1324 & 1624
31	1	03341-04	DECAL, "CAUTION - TO AVOID INJURY"
32	4	05247	HH CAP SCREW, 5/16-18 NC X 3/4 G5 ZINC
33	8	05068	WASHER, 5/16 SAE ZINC
34	4	05273	NUT, NYLOCK, 5/16-18 NC ZINC
35	1	04551-01	HOSE, PUMP TO VALVES
36	1	01215	SHIELD MOUNT
37	1	04211	FITTING, 6801-8-10
38	1	04507	PUMP SNP2-8.5-HSTAT
39	1	04504	ADAPTER WITH O-RINGS & HARDWARE
40	1	04545-01	HOSE, HYDROSTAT SUMP
41	2	04538	FITTING, 6801-6-6
42	1	04543	HOSE, HYDROSTAT TO FILTER

① FOR 1324 BIG WHEEL USE PART NO. 01217-BW.

<h1 style="margin: 0;">BARRETO</h1>	TITLE: ENGINE & PUMPS, 13 HP HONDA	
	PRODUCT LINE: 1324	DATE: 6/26/07
	SCALE: 1:8	DWG# 00393-13
	SHEET 1 OF 1	



DETAIL A
SCALE 1 : 3

REF.	QTY.	PART NO.	DESCRIPTION
1	1	03292	O-RING, 3-924N90, -24 FITTINGS
2	1	10636	SUMP SCREEN, #24 EXT #16 INT O-RING
3	1	10680	FITTING, 4601-16-16-TAP
4	1	10401	FITTING, 6400-6-6
5	2	05225	CLAMP, 1-1/2" HOSE, CTB-35 ST
6	1	11363	HOSE, PUMP INTAKE
7	2	04533	FITTING, 6801-8-8-LL
8	1	04506	PUMP, PG-10 HYDROSTATIC
9	1	01216	LEVER, HYDRO PUMP
10	1	05020	SET SCREW, 1/4-20 UNC X 1/4
11	1	03510	BALL JOINT, 1/4-28 NF, 10-32, DETACHABLE
12	1	05267	NUT, 1/4-28 NF ZINC
13	1	04530	FITTING, 4601-16-12
14	1	03516 REF	CABLE, WHEEL SPEED
15	1	03021	JAW COUPLER, PUMP, 5/8" BORE
16	1	03022	SPIDER, RUBBER
17	1	03023	JAW COUPLER, 1" BORE L095
18	2	05059	HH CAP SCREW, 3/8-16 NC X 1 G5 ZINC
19	1	05014	KEY, 1/4 X 1/4 X 3/4
20	4	05091	HH CAP SCREW, 3/8-16 NC X 1-1/4 G5 ZINC
21	10	05101	WASHER, 3/8 SAE ZINC
22	1	02016	PUMP ADAPTER
23	4	05054	HH CAP SCREW, 5/16-18 NC X 1-3/4 G5 ZINC
24	16	05068	WASHER, 5/16 SAE ZINC
25	1	01218	ENGINE MOUNT PLATE, BRIGGS
26	4	05057	HH CAP SCREW, 3/8-16 NC X 3/4 G5 ZINC
27	8	05273	NUT, NYLOCK, 5/16-18 NC ZINC
28	1	07001	ENGINE, 16 HP B&S
29	1	03341-24	DECAL, "WARNING - NO PARKING BRAKE"
30	1	03040-01	DECAL, "MADE IN USA"
31	1	01217	PUMP SHIELD, STANDARD 1324 & 1624
32	1	03341-04	DECAL, "CAUTION - TO AVOID INJURY"
33	4	05247	HH CAP SCREW, 5/16-18 NC X 3/4 G5 ZINC
34	1	04551-01	HOSE, PUMP TO VALVES
35	1	01215	SHIELD MOUNT
36	1	04211	FITTING, 6801-8-10
37	1	04503	PUMP SNP2-11-HSTAT
38	1	04504	ADAPTER WITH O-RINGS & HARDWARE
39	1	04545-01	HOSE, HYDROSTAT SUMP
40	2	04538	FITTING, 6801-6-6
41	1	04543	HOSE, HYDROSTAT TO FILTER

① FOR BIG WHEEL MODEL, USE PART NO. 01217-BW

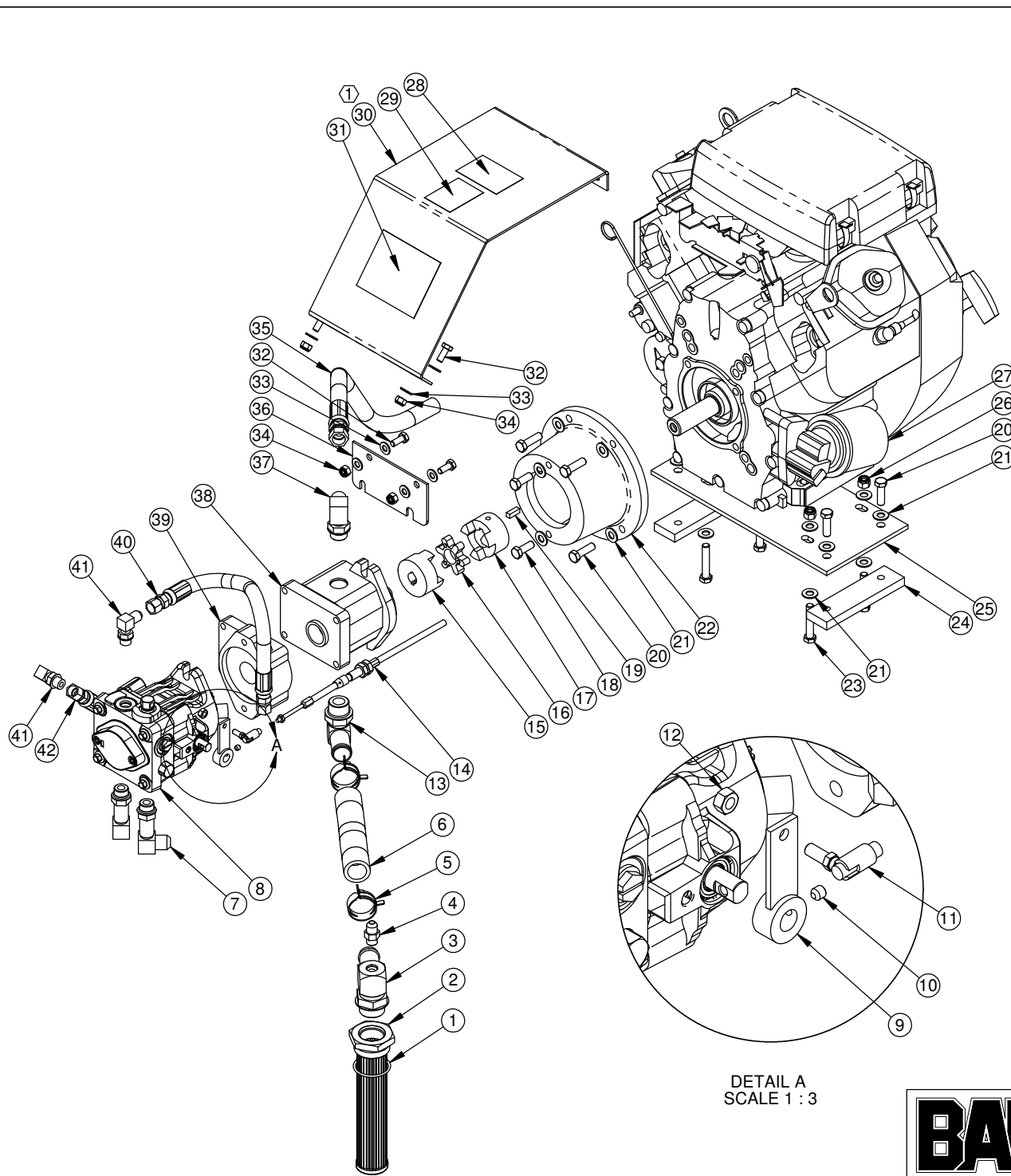
BARRETO

TITLE: ENGINE & PUMPS, 16 HP B&S

PRODUCT LINE: 1624 DATE: 6/19/07

SCALE: 1:8 DWG# 00393-16

SHEET 1 OF 1

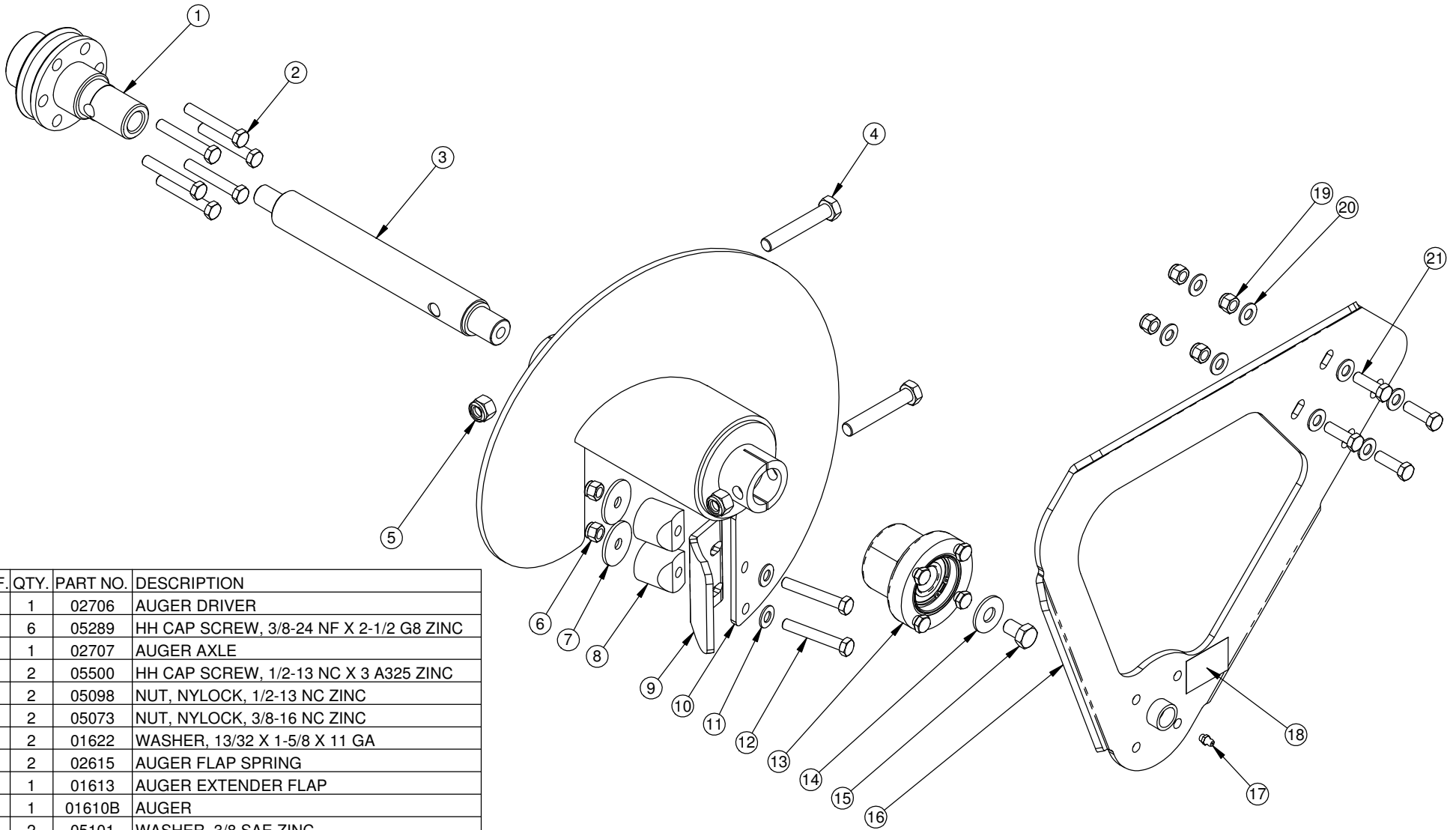


DETAIL A
SCALE 1 : 3

REF.	QTY.	PART NO.	DESCRIPTION
1	1	03292	O-RING, 3-924N90, -24 FITTINGS
2	1	10636	SUMP SCREEN, #24 EXT #16 INT O-RING
3	1	10680	FITTING, 4601-16-16-TAP
4	1	10401	FITTING, 6400-6-6
5	2	05225	CLAMP, 1-1/2" HOSE, CTB-35 ST
6	1	11363	HOSE, PUMP INTAKE
7	2	04533	FITTING, 6801-8-8-LL
8	1	04506	PUMP, PG-10 HYDROSTATIC
9	1	01216	LEVER, HYDRO PUMP
10	1	05020	SET SCREW, 1/4-20 UNC X 1/4
11	1	03510	BALL JOINT, 1/4-28 NF, 10-32, DETACHABLE
12	1	05267	NUT, 1/4-28 NF ZINC
13	1	04530	FITTING, 4601-16-12
14	1	03516 REF	CABLE, WHEEL SPEED
15	1	03021	JAW COUPLER, PUMP, 5/8" BORE
16	1	03022	SPIDER, RUBBER
17	1	03023	JAW COUPLER, 1" BORE L095
18	2	05059	HH CAP SCREW, 3/8-16 NC X 1 G5 ZINC
19	1	05014	KEY, 1/4 X 1/4 X 3/4
20	8	05091	HH CAP SCREW, 3/8-16 NC X 1-1/4 G5 ZINC
21	18	05101	WASHER, 3/8 SAE ZINC
22	1	02016	PUMP ADAPTER
23	4	05262	HH CAP SCREW, 3/8-16 NC X 2 G5 ZINC
24	2	01219	ENGINE SPACER, 18 HP HONDA
25	1	01218-H	ENGINE MOUNT PLATE, HONDA 13 & 18 HP
26	4	05073	NUT, NYLOCK, 3/8-16 NC ZINC
27	1	07010	ENGINE, 18 HP HONDA GX610
28	1	03341-24	DECAL, "WARNING - NO PARKING BRAKE"
29	1	03040-01	DECAL, "MADE IN USA"
30	1	01217-H	PUMP SHIELD, 18 HP HONDA
31	1	03341-04	DECAL, "CAUTION - TO AVOID INJURY"
32	4	05247	HH CAP SCREW, 5/16-18 NC X 3/4 G5 ZINC
33	8	05068	WASHER, 5/16 SAE ZINC
34	4	05273	NUT, NYLOCK, 5/16-18 NC ZINC
35	1	04551-01	HOSE, PUMP TO VALVES
36	1	01215	SHIELD MOUNT
37	1	04211	FITTING, 6801-8-10
38	1	04503	PUMP SNP2-11-HSTAT
39	1	04504	ADAPTER WITH O-RINGS & HARDWARE
40	1	04545-01	HOSE, HYDROSTAT SUMP
41	2	04538	FITTING, 6801-6-6
42	1	04543	HOSE, HYDROSTAT TO FILTER

① FOR 1824 BIG WHEEL USE PART NO. 01217-HBW.

	TITLE: ENGINE & PUMPS, 18 HP HONDA	
	PRODUCT LINE: 1824	DATE: 8/7/07
	SCALE: 1:8	DWG# 00393-18
	SHEET 1 OF 1	



REF.	QTY.	PART NO.	DESCRIPTION
1	1	02706	AUGER DRIVER
2	6	05289	HH CAP SCREW, 3/8-24 NF X 2-1/2 G8 ZINC
3	1	02707	AUGER AXLE
4	2	05500	HH CAP SCREW, 1/2-13 NC X 3 A325 ZINC
5	2	05098	NUT, NYLOCK, 1/2-13 NC ZINC
6	2	05073	NUT, NYLOCK, 3/8-16 NC ZINC
7	2	01622	WASHER, 13/32 X 1-5/8 X 11 GA
8	2	02615	AUGER FLAP SPRING
9	1	01613	AUGER EXTENDER FLAP
10	1	01610B	AUGER
11	2	05101	WASHER, 3/8 SAE ZINC
12	2	05249	HH CAP SCREW, 3/8-16 NC X 2-1/2 G5 ZINC
13	1	10144	OUTBOARD BEARING ASSEMBLY
14	1	05201	WASHER, 1/2 USS ZINC
15	1	05060	HH CAP SCREW, 1/2-13 NC X 3/4 G5 ZINC
16	1	10143L	AUGER SUPPORT, LH 4 HOLE
17	1	05044	GREASE ZERK, 1/4-28 UNF
18	1	03040-04	DECAL, "GREASE DAILY"
19	4	05072	NUT, NYLOCK, 3/8-24 NF ZINC
20	8	05103	WASHER, 3/8 A325 HARDENED ZINC
21	4	05292	HH CAP SCREW, 3/8-24 NF X 1-1/4 G5 ZINC

BARRETO

TITLE: FRONT END, AUGER

PRODUCT LINE: 1324/1624/1824 DATE: 8/1/07

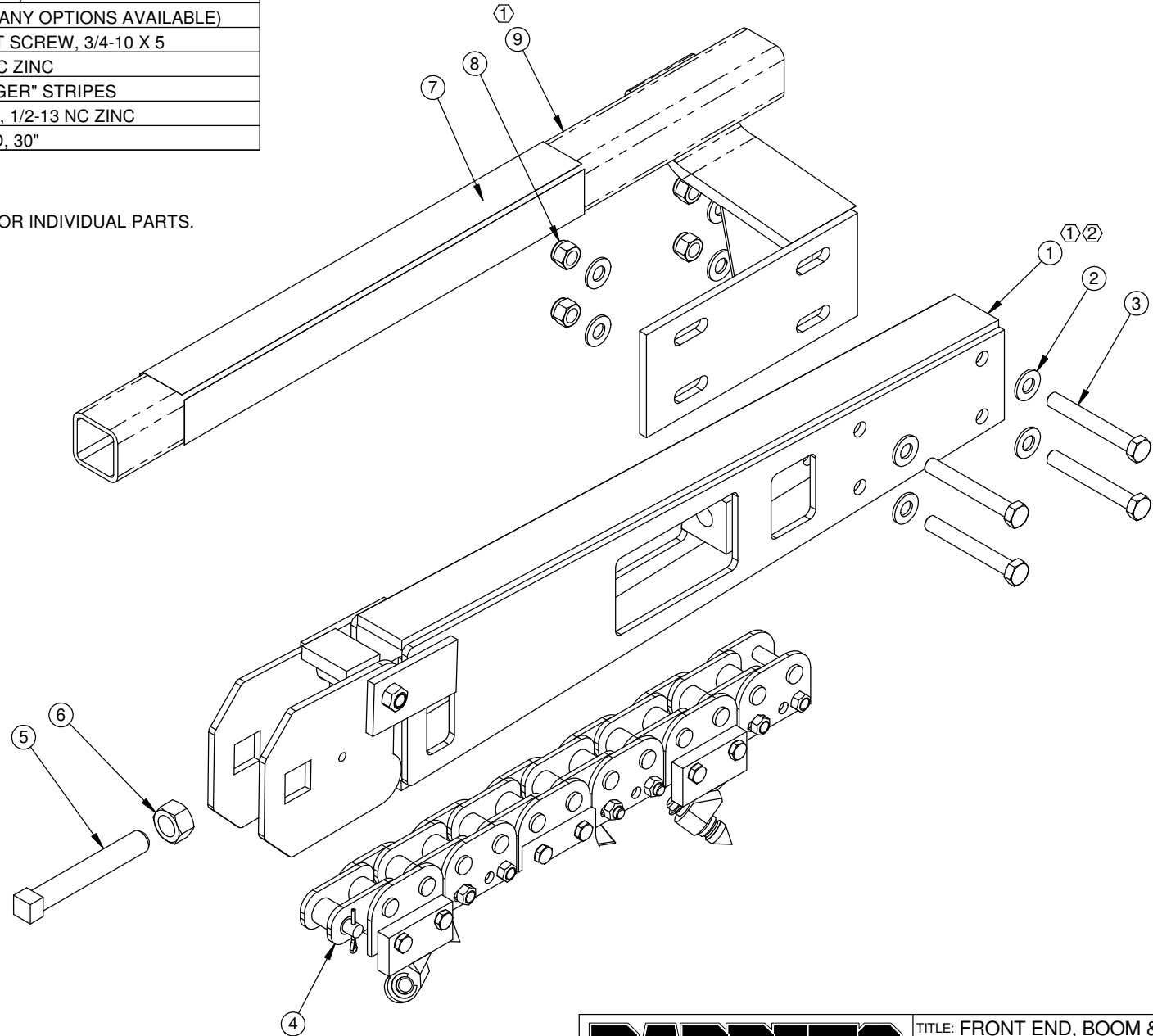
SCALE: 1:5
SHEET 1 OF 1

DWG# 00395

REF.	QTY.	PART NO.	DESCRIPTION
1	1	10268-30-ASSY	CUSHION BOOM ASSY, 30"
2	8	05102	WASHER, 1/2 SAE ZINC HARDENED
3	4	05253	HH CAP SCREW, 1/2-13 NC X 3-3/4 G5 ZINC
4	1	DIG CHAIN	DIG CHAIN (MANY OPTIONS AVAILABLE)
5	1	05230	SQ. HEAD SET SCREW, 3/4-10 X 5
6	1	05231	NUT, 3/4-10 NC ZINC
7	3	03341-02	DECAL, "DANGER" STRIPES
8	4	05098	NUT, NYLOCK, 1/2-13 NC ZINC
9	1	01607-30	BOOM GUARD, 30"

① VARIOUS LENGTHS AVAILABLE.

② REFERENCE DWG# 10268-30-ASSY FOR INDIVIDUAL PARTS.



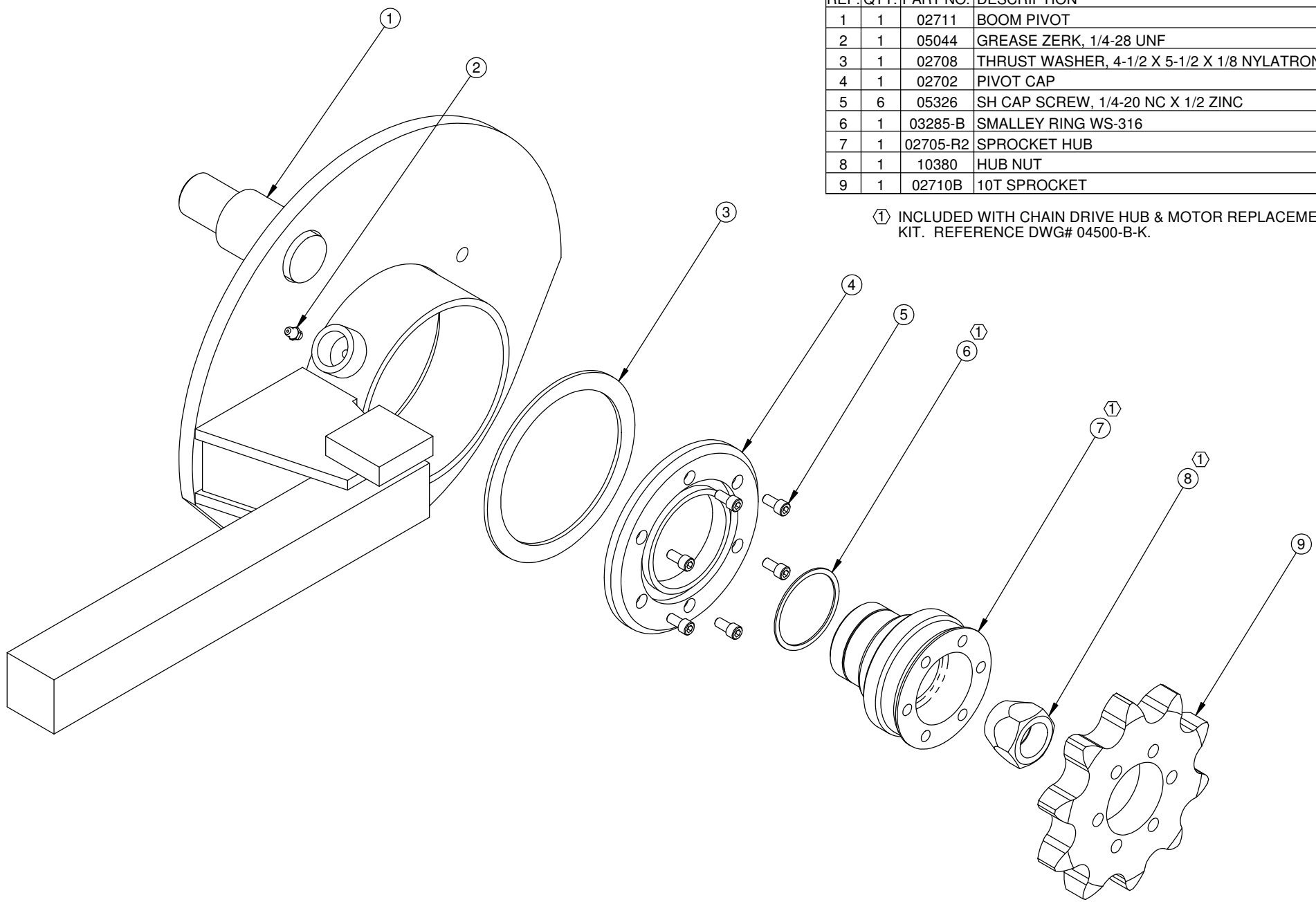
BARRETO

TITLE: FRONT END, BOOM & DIG CHAIN

PRODUCT LINE: 1324/1624/1824 DATE: 8/13/07

SCALE: 1:5
SHEET 1 OF 1

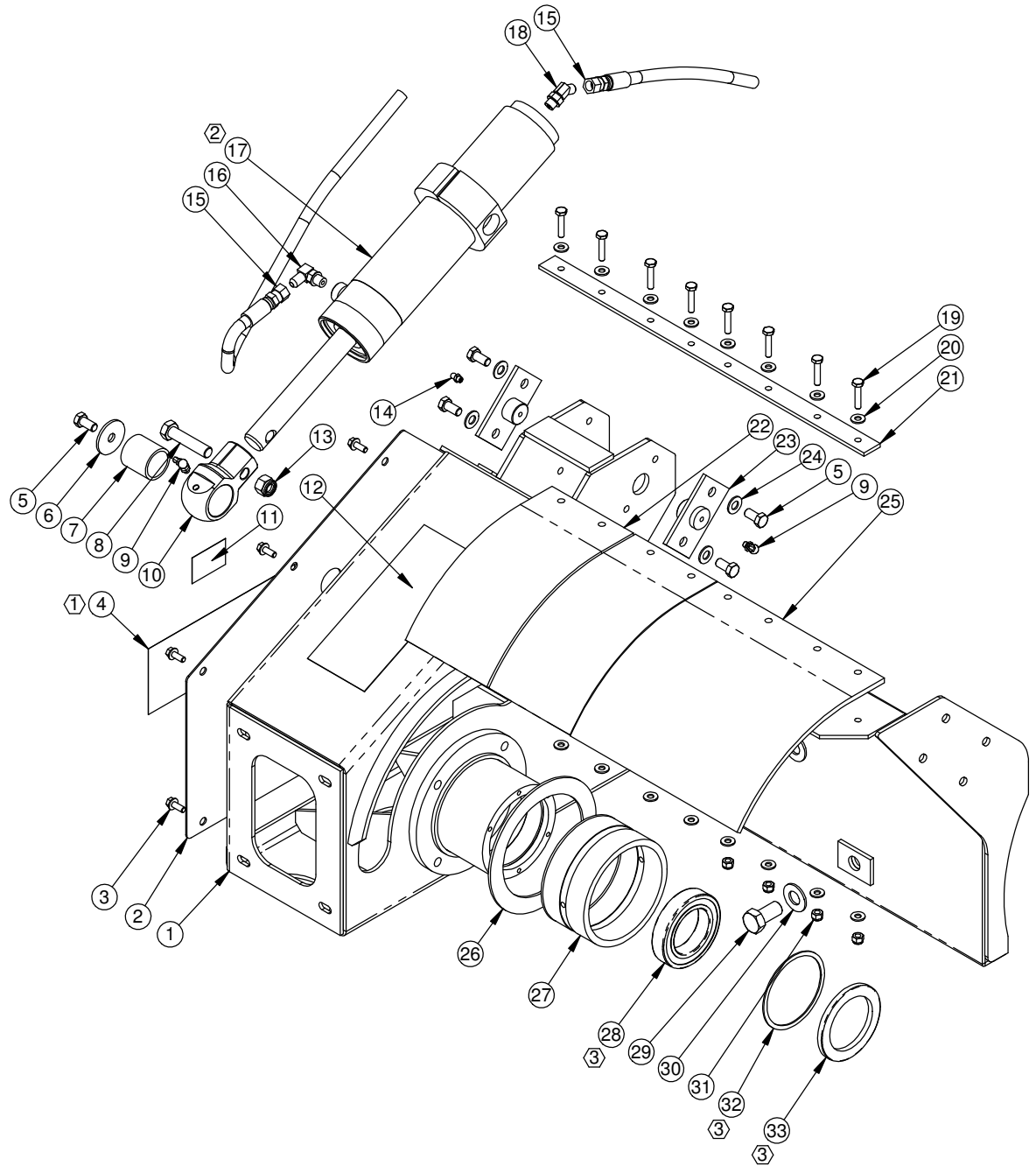
DWG# 00396



REF.	QTY.	PART NO.	DESCRIPTION
1	1	02711	BOOM PIVOT
2	1	05044	GREASE ZERK, 1/4-28 UNF
3	1	02708	THRUST WASHER, 4-1/2 X 5-1/2 X 1/8 NYLATRON
4	1	02702	PIVOT CAP
5	6	05326	SH CAP SCREW, 1/4-20 NC X 1/2 ZINC
6	1	03285-B	SMALLEY RING WS-316
7	1	02705-R2	SPROCKET HUB
8	1	10380	HUB NUT
9	1	02710B	10T SPROCKET

① INCLUDED WITH CHAIN DRIVE HUB & MOTOR REPLACEMENT KIT. REFERENCE DWG# 04500-B-K.

REF.	QTY.	PART NO.	DESCRIPTION
1	1	01750	FRAME, FRONT END
2	1	01751	COVER, 2000 MOTOR
3	7	05069	WHIZ LOCK, 1/4-20 NC X 5/8 ZINC
4	1	03341-03	DECAL, "1624-D"
5	5	05057	HH CAP SCREW, 3/8-16 NC X 3/4 G5 ZINC
6	1	01622	WASHER, 13/32 X 1-5/8 X 11 GA
7	1	03502	BUSHING, CONNEX # 150-125-150
8	1	11180	HH CAP SCREW, 1/2-13 NC X 2-1/4 G5 ZINC
9	2	05307	GREASE ZERK, 1/4-28 UNF 90°
10	1	02616	CYLINDER ROD END
11	1	03040-04	DECAL, "GREASE DAILY"
12	1	03341-05	DECAL; DANGER, CHAIN
13	1	05098	NUT, NYLOCK, 1/2-13 NC ZINC
14	1	05044	GREASE ZERK, 1/4-28 UNF
15	2	04552-01	HOSE, 1/4 X 43 SINGLE BRAID
16	1	04555	FITTING, 6801-4-4
17	1	02700-ASML	CYLINDER ASSEMBLY
18	1	04218	FITTING, 6802-4-4
19	8	05125	HH CAP SCREW, 1/4-20 NC X 1-1/4 G5 ZINC
20	16	05081	WASHER, 1/4 SAE ZINC
21	1	01640	FLAP KEEPER
22	2	03901	CHAIN FLAP
23	2	01616	CYLINDER PIN
24	4	05103	WASHER, 3/8 A325 HARDENED ZINC
25	1	03900	AUGER FLAP
26	1	02704	THRUST WASHER, 4-15/16 X 6-1/2 X 1/8 NYLATRON
27	1	02703	PIVOT BUSHING
28	1	03285-A	ROLLER BEARING, SKF NU 1011 EC
29	4	05260	HH CAP SCREW, 5/8-11 NC X 1-1/4 G5 ZINC
30	4	05272	WASHER, 5/8 SAE ZINC HARDENED
31	8	05096	NUT, NYLOCK, 1/4-20 NC ZINC
32	1	05604	SMALLEY RING WH-362
33	1	03935	SEAL

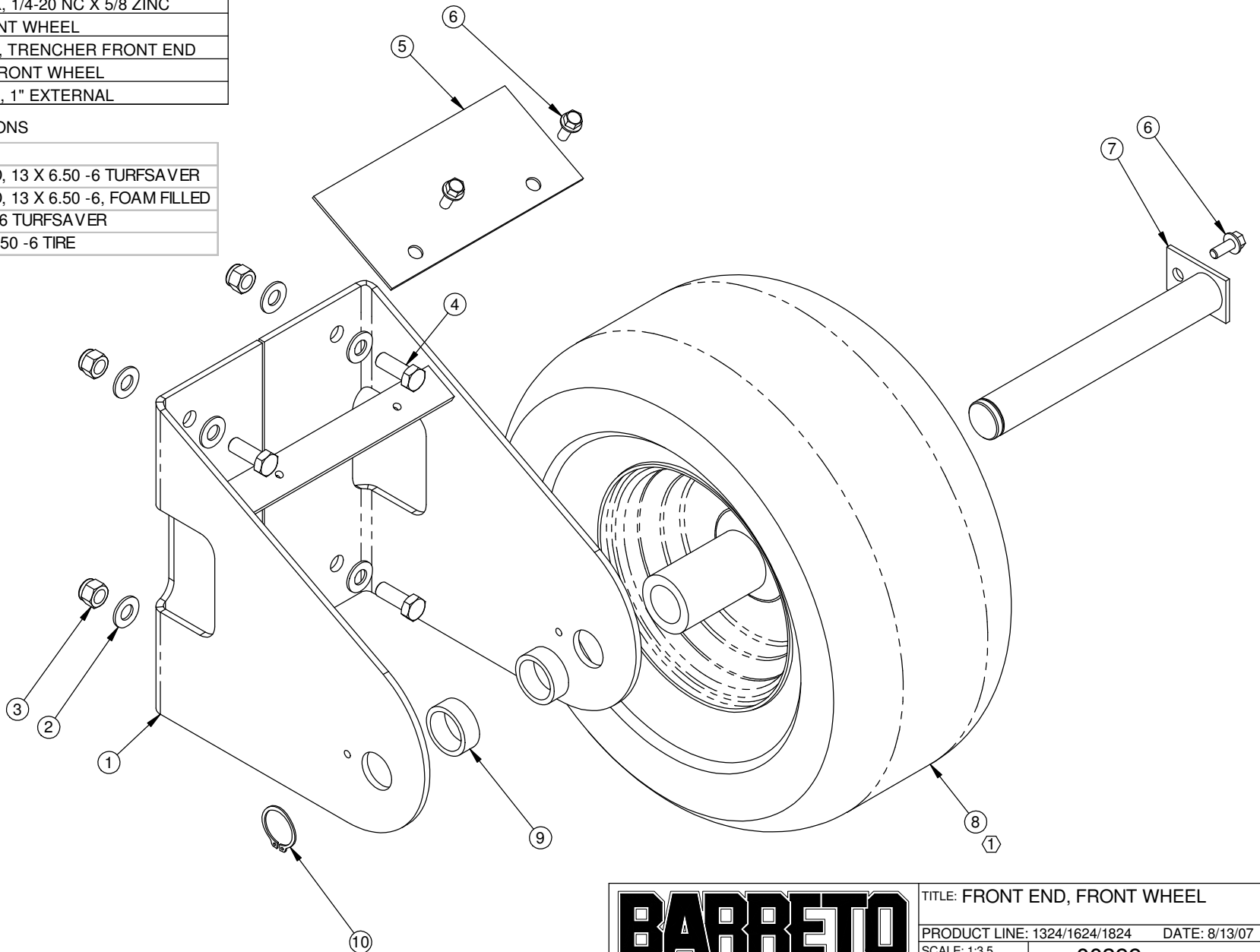


- ① FOR 1324, USE PART NO. 03341-17 (DECAL, "1324-D")
FOR 1824, USE PART NO. 03341-25 (DECAL, "1824-D")
- ② REFERENCE DWG# 02700-ASML FOR INDIVIDUAL PARTS.
- ③ INCLUDED WITH CHAIN DRIVE HUB & MOTOR REPLACEMENT KIT. REFERENCE DWG# 04500-B-K.

REF.	QTY.	PART NO.	DESCRIPTION
1	1	01601	FRONT WHEEL HOUSING
2	8	05101	WASHER, 3/8 SAE ZINC
3	4	05072	NUT, NYLOCK, 3/8-24 NF ZINC
4	4	05056	HH CAP SCREW, 3/8-24 NF X 1 G5 ZINC
5	1	01627	COVER, WHEEL HOUSING
6	3	05069	WHIZ LOCK, 1/4-20 NC X 5/8 ZINC
7	1	01602	AXLE, FRONT WHEEL
8	1	03213	TIRE & RIM, TRENCHER FRONT END
9	2	01603	SPACER, FRONT WHEEL
10	1	05010	SNAP RING, 1" EXTERNAL

① TIRE OPTIONS

PART NO.	DESCRIPTION
03213	TIRE & RIM, FRONT END, 13 X 6.50 -6 TURFSAVER
03213-F	TIRE & RIM, FRONT END, 13 X 6.50 -6, FOAM FILLED
03214	TIRE ONLY, 13 X 6.50 -6 TURFSAVER
03215	RIM ONLY, FOR 13 X 6.50 -6 TIRE



BARRETO

TITLE: FRONT END, FRONT WHEEL

PRODUCT LINE: 1324/1624/1824 DATE: 8/13/07

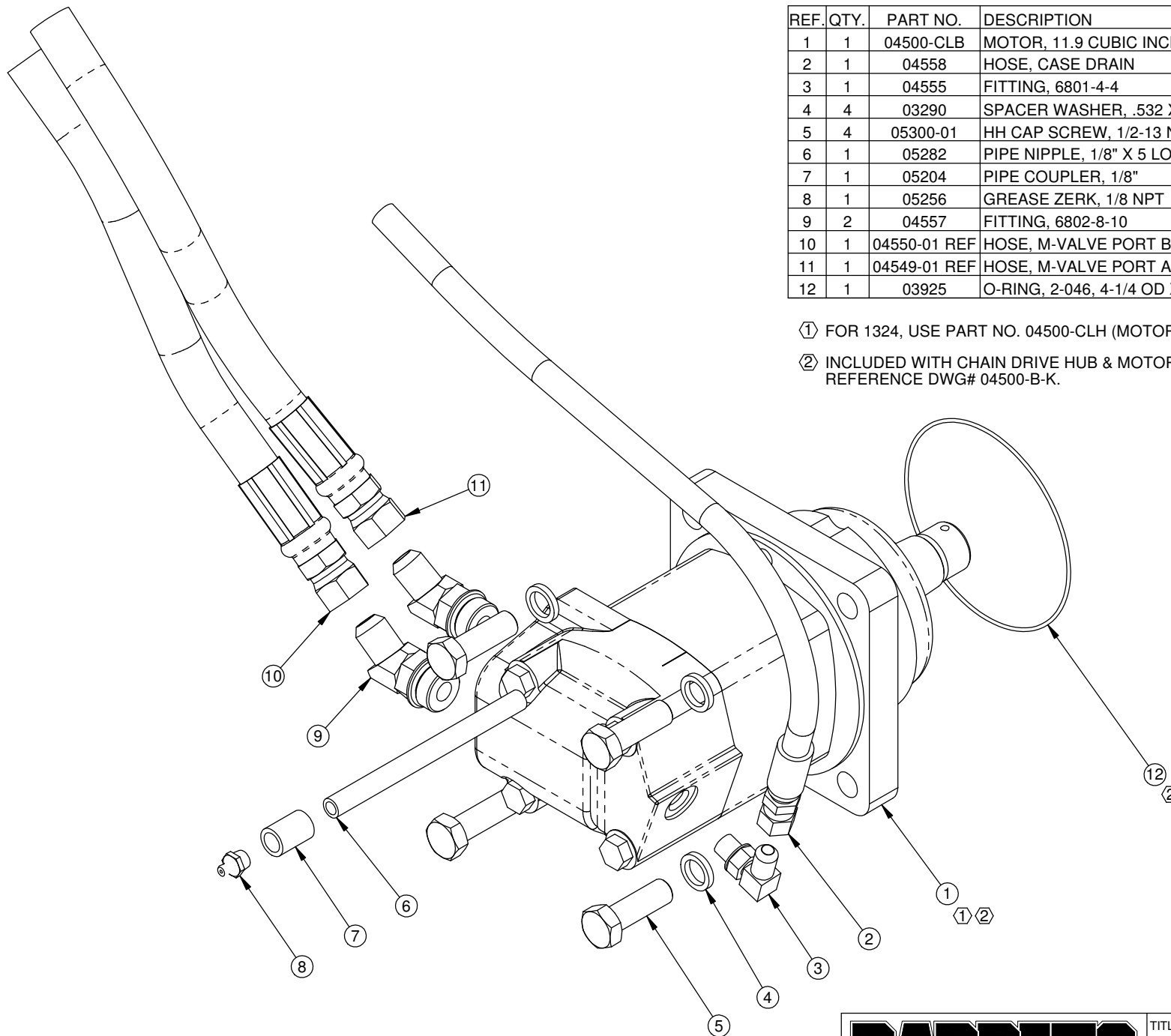
SCALE: 1:3.5
SHEET 1 OF 1

DWG# 00399

REF.	QTY.	PART NO.	DESCRIPTION
1	1	04500-CLB	MOTOR, 11.9 CUBIC INCH (1624 & 1824)
2	1	04558	HOSE, CASE DRAIN
3	1	04555	FITTING, 6801-4-4
4	4	03290	SPACER WASHER, .532 X .750 X .125
5	4	05300-01	HH CAP SCREW, 1/2-13 NC X 1-1/2 G5 ZINC
6	1	05282	PIPE NIPPLE, 1/8" X 5 LONG
7	1	05204	PIPE COUPLER, 1/8"
8	1	05256	GREASE ZERK, 1/8 NPT
9	2	04557	FITTING, 6802-8-10
10	1	04550-01 REF	HOSE, M-VALVE PORT B TO DIG CHAIN MOTOR LOWER PORT
11	1	04549-01 REF	HOSE, M-VALVE PORT A TO DIG CHAIN MOTOR UPPER PORT
12	1	03925	O-RING, 2-046, 4-1/4 OD X 1/16 SECTION

① FOR 1324, USE PART NO. 04500-CLH (MOTOR, 9.6 CUBIC INCH)

② INCLUDED WITH CHAIN DRIVE HUB & MOTOR REPLACEMENT KIT.
REFERENCE DWG# 04500-B-K.



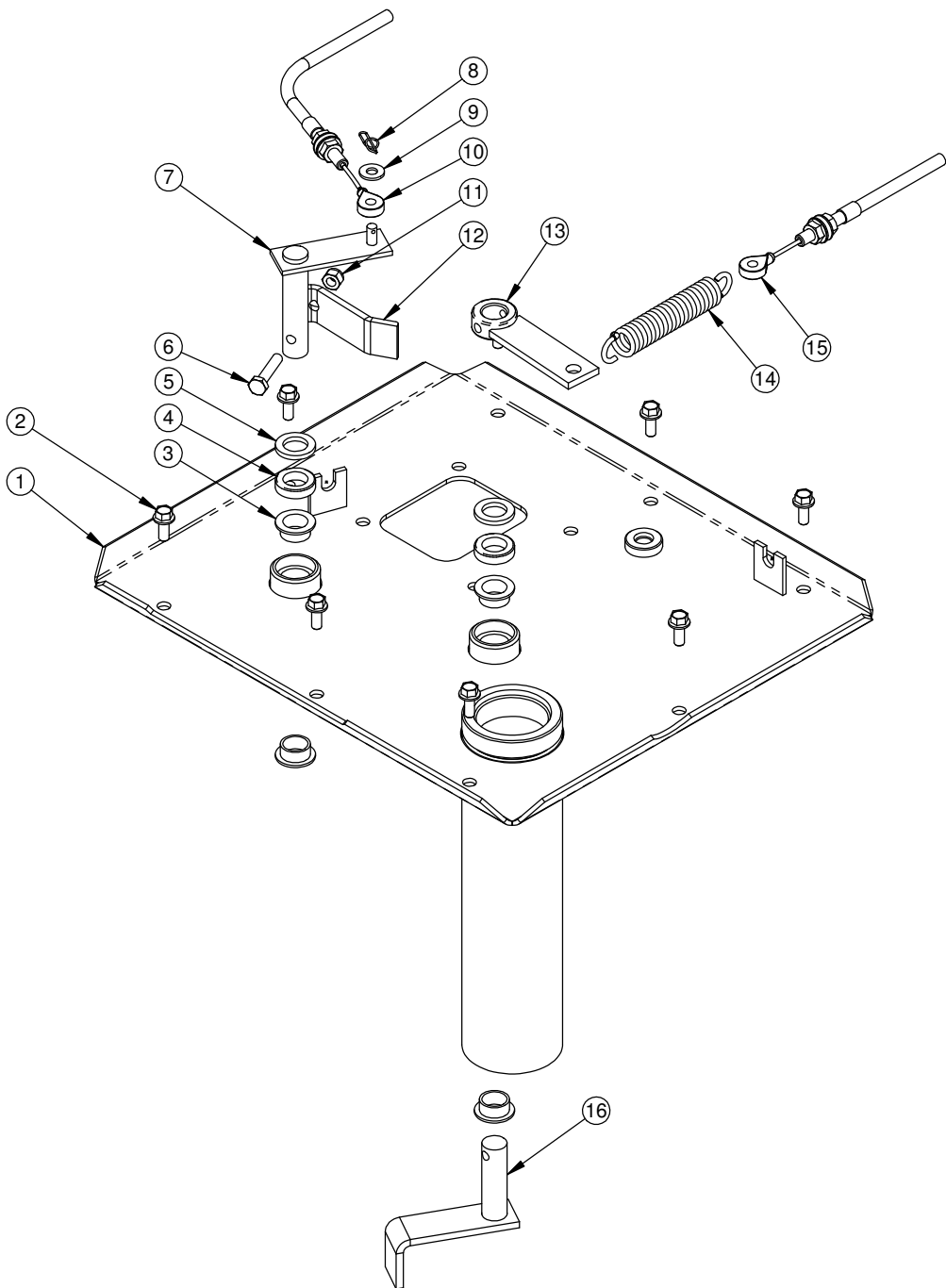
BARRETO

TITLE: FRONT END, MOTOR, 2000 SERIES

PRODUCT LINE: 1324/1624/1824 DATE: 8/14/07

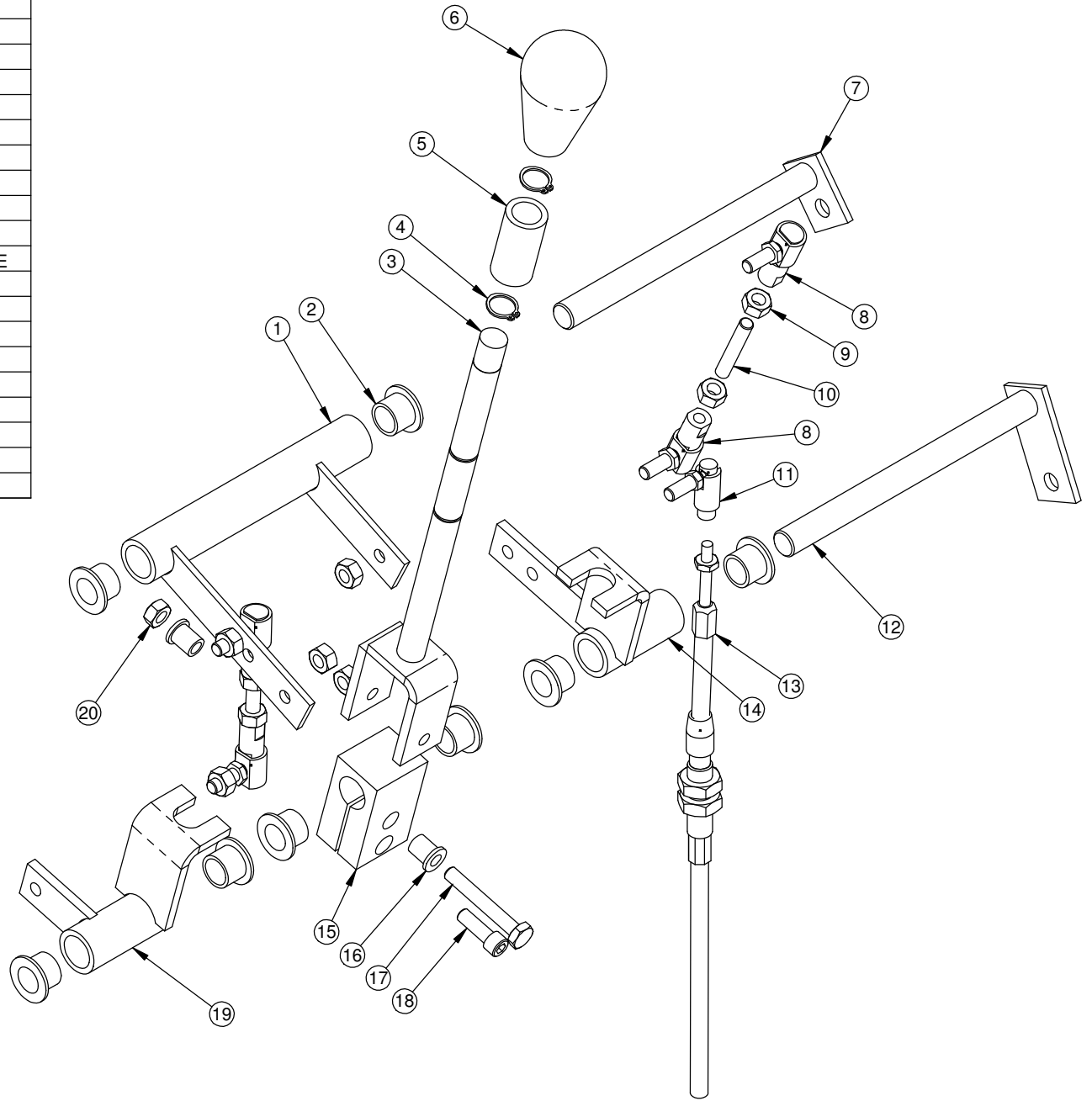
SCALE: 1:2.7
SHEET 1 OF 1

DWG# 00404



REF.	QTY.	PART NO.	DESCRIPTION
1	1	01201CT-OR	LID
2	8	05069	WHIZ LOCK, 1/4-20 NC X 5/8 ZINC
3	4	03060	BUSHING, IGUS MFI-1012-06
4	2	03020	SEAL
5	2	03061	FELT WASHER, 5/8 X 1 X 1/8
6	1	05125	HH CAP SCREW, 1/4-20 NC X 1-1/4 G5 ZINC
7	1	01210	ACTUATOR ARM
8	1	05038	RUE RING COTTER #8
9	1	05081	WASHER, 1/4 SAE ZINC
10	1	03045 REF	CABLE, ACTUATOR
11	1	05096	NUT, NYLOCK, 1/4-20 NC ZINC
12	1	01211	DUMP VALVE LEVER
13	1	01202	AXLE LOCK LEVER
14	1	03221	SPRING, CENTURY 5292, 3/4 X 4-1/16
15	1	03514 REF	CABLE, 40"
16	1	01203	AXLE LOCK SHAFT

REF.	QTY.	PART NO.	DESCRIPTION
1	1	01512	SPEED CONTROL LINKAGE
2	8	03501	BUSHING, IGUS MFI-0810-08
3	1	01510	SPEED CONTROL
4	2	05506	SNAP RING, 1/2" EXTERNAL, SH-50
5	1	02605	SPEED LEVER ROLLER
6	1	03508	SPEED KNOB
7	1	01513-6	LINKAGE PIN, 6", SHORT TAB
8	4	03511	BALL JOINT, 1/4-28 UNF
9	9	05267	NUT, 1/4-28 NF ZINC
10	2	05503	LINKAGE ROD, 1/4-28 UNF X 1-1/2
11	1	03510	BALL JOINT, 1/4-28 NF, 10-32, DETACHABLE
12	1	01514	LINKAGE PIN, LONG TAB
13	1	03516	CABLE, WHEEL SPEED
14	1	01511-R	SHIFT FORK, RIGHT
15	1	02500	CLAMP, SPEED LEVER
16	2	03029-04	BUSHING, MICRO PLASTICS 12SWS1048
17	1	05243	HH CAP SCREW, 1/4-28 NF X 1-3/4 G5 ZINC
18	1	05235	SH CAP SCREW, 1/4-28 NF X 3/4 PLAIN
19	1	01511-L	SHIFT FORK, LEFT
20	1	05266	NUT, GRIPCO, 1/4-28 NF G5 ZINC



BARRETO

TITLE: SPEED CONTROL

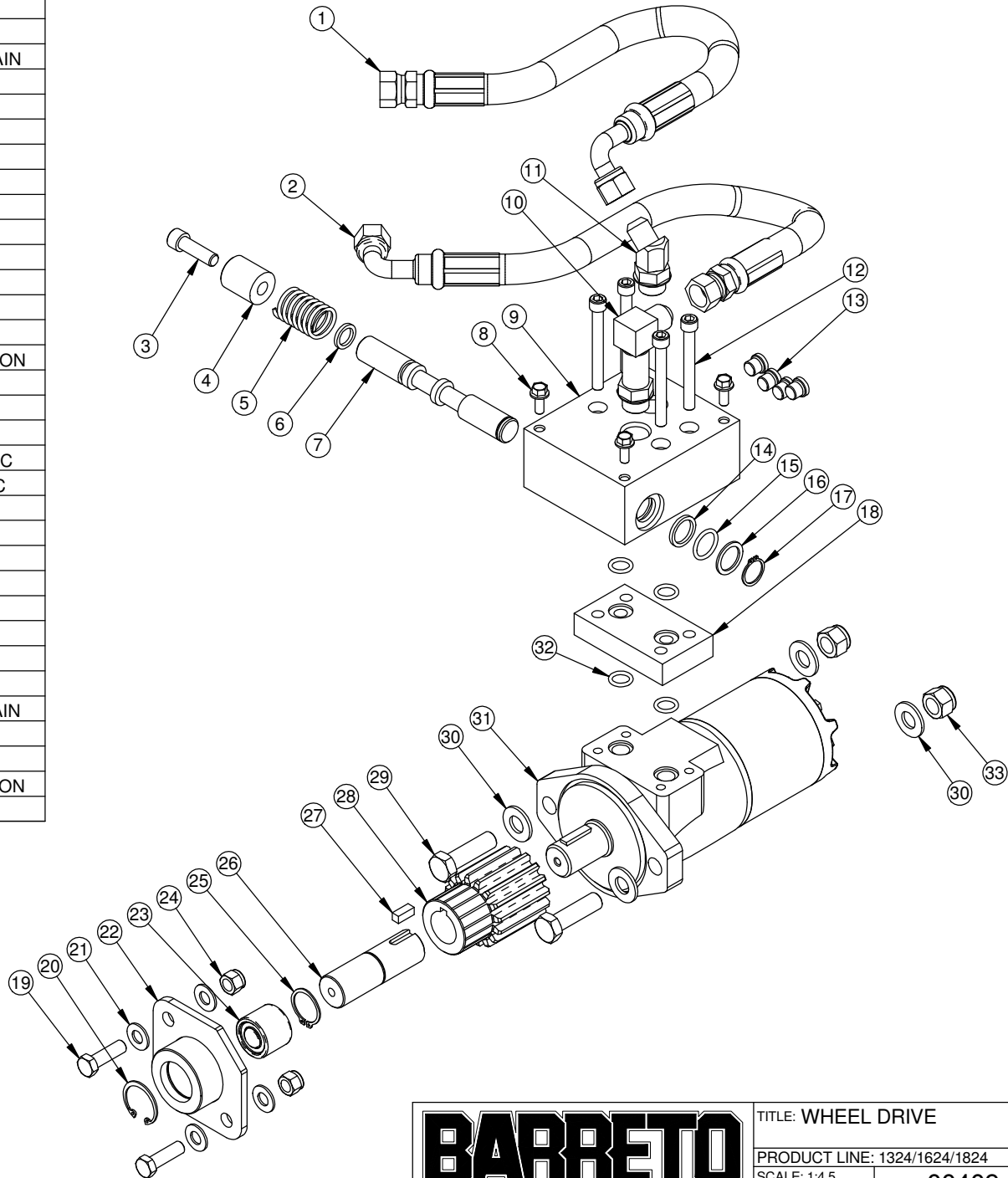
PRODUCT LINE: 1324/1624/1824 DATE: 8/20/07

SCALE: 1:2.8

DWG# 00407

SHEET 1 OF 1

REF.	QTY.	PART NO.	DESCRIPTION
1	1	04548-01	HOSE, WHEEL DRIVE, RIGHT, 15"
2	1	04547-01	HOSE, WHEEL DRIVE, LEFT, 18"
3	1	05239	SH CAP SCREW, 3/8-16 NC X 1-1/4 G5 PLAIN
4	1	02202	SPOOL SPACER
5	1	03055	SPRING, VALVE SPOOL RETURN
6	1	10614	QUAD RING #4-113
7	1	02201	SPOOL, DRIVE DUMP
8	4	05069	WHIZ LOCK, 1/4-20 NC X 5/8 ZINC
9	1	02200	MANIFOLD, WHEEL MOTOR
10	1	04533	FITTING, 6801-8-8-LL
11	1	04210	FITTING, 6802-8-8
12	4	05238	SH CAP SCREW, 5/16-18 NC X 3 G5 PLAIN
13	4	03300	FITTING, 6409-4 PLUG
14	1	10470	QUAD RING #4-116
15	1	03225	O-RING, 2-116N70, 15-16 OD X 3/32 SECTION
16	1	03200	THRUST WASHER, .75 X 1 X .060, HARD
17	1	05216	SNAP RING, 3/4 EXTERNAL
18	1	02203CT	MANIFOLD SPACER
19	2	05091	HH CAP SCREW, 3/8-16 NC X 1-1/4 G5 ZINC
20	1	05027	SNAP RING, HO-125, 1-1/4 INTERNAL ZINC
21	4	05101	WASHER, 3/8 SAE ZINC
22	1	02205	BEARING HOUSING PINION SUPPORT
23	1	03230	NEEDLE BEARING
24	2	05073	NUT, NYLOCK, 3/8-16 NC ZINC
25	1	05010	SNAP RING, 1" EXTERNAL
26	1	02204	SHAFT, PINION SUPPORT
27	1	05014-A	KEY, 1/4 X 1/4 X 5/8
28	1	02210-8	GEAR, PINION, 16T
29	2	05062	HH CAP SCREW, 1/2-20 NF X 1-3/4 G5 PLAIN
30	4	05102	WASHER, 1/2 SAE ZINC HARDENED
31	1	04502	MOTOR, WHEEL DRIVE
32	4	03226	O-RING, 2-112N70, 11/16 OD X 3/32 SECTION
33	2	05075	NUT, NYLOCK, 1/2-20 NF ZINC



BARRETO

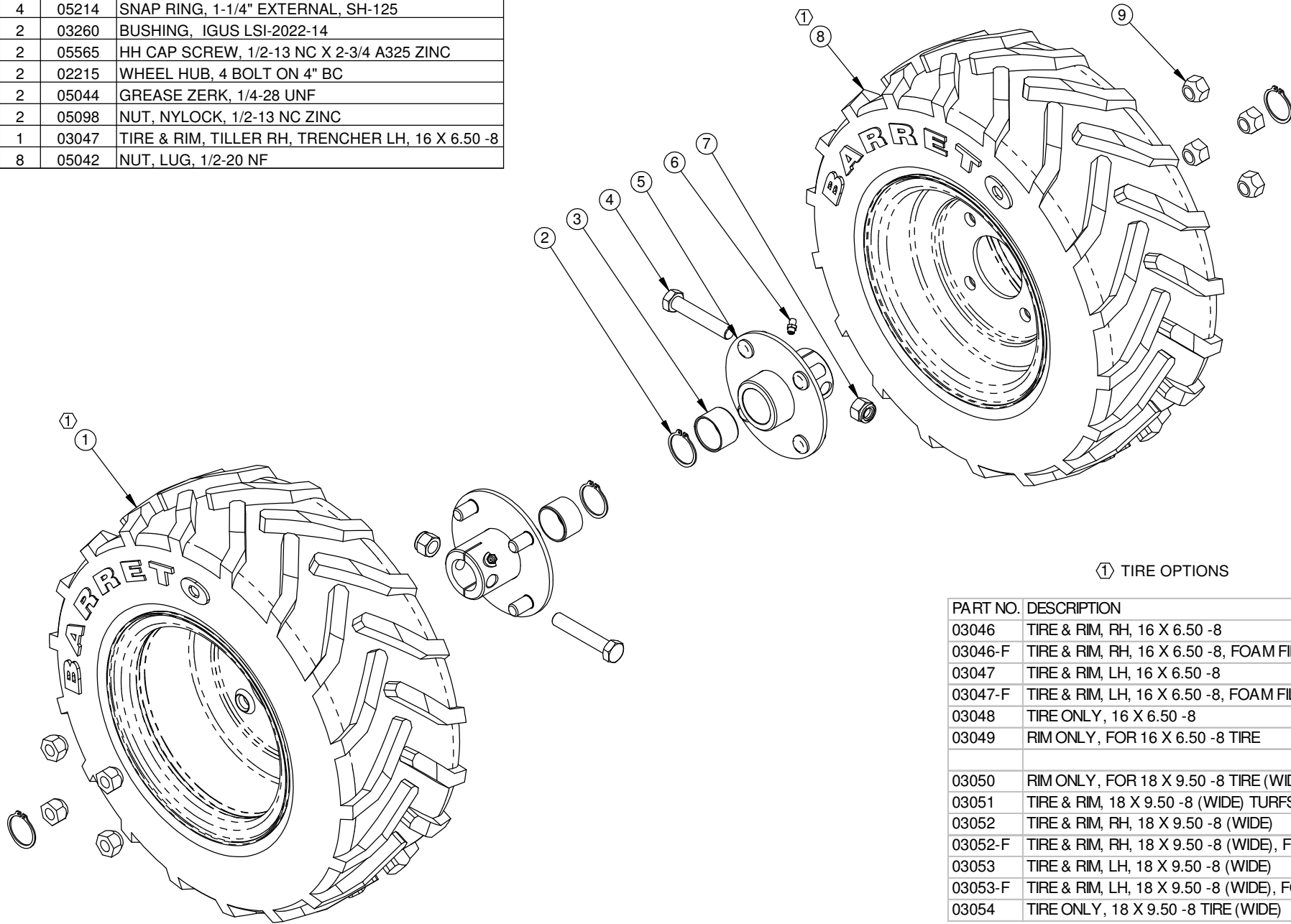
TITLE: WHEEL DRIVE

PRODUCT LINE: 1324/1624/1824 DATE: 6/29/07

SCALE: 1:4.5
SHEET 1 OF 1

DWG# 00409

REF.	QTY.	PART NO.	DESCRIPTION
1	1	03046	TIRE & RIM, TILLER LH, TRENCHER RH, 16 X 6.50 -8
2	4	05214	SNAP RING, 1-1/4" EXTERNAL, SH-125
3	2	03260	BUSHING, IGUS LSI-2022-14
4	2	05565	HH CAP SCREW, 1/2-13 NC X 2-3/4 A325 ZINC
5	2	02215	WHEEL HUB, 4 BOLT ON 4" BC
6	2	05044	GREASE ZERK, 1/4-28 UNF
7	2	05098	NUT, NYLOCK, 1/2-13 NC ZINC
8	1	03047	TIRE & RIM, TILLER RH, TRENCHER LH, 16 X 6.50 -8
9	8	05042	NUT, LUG, 1/2-20 NF



① TIRE OPTIONS

PART NO.	DESCRIPTION
03046	TIRE & RIM, RH, 16 X 6.50 -8
03046-F	TIRE & RIM, RH, 16 X 6.50 -8, FOAM FILLED
03047	TIRE & RIM, LH, 16 X 6.50 -8
03047-F	TIRE & RIM, LH, 16 X 6.50 -8, FOAM FILLED
03048	TIRE ONLY, 16 X 6.50 -8
03049	RIM ONLY, FOR 16 X 6.50 -8 TIRE
03050	RIM ONLY, FOR 18 X 9.50 -8 TIRE (WIDE)
03051	TIRE & RIM, 18 X 9.50 -8 (WIDE) TURFSAVER
03052	TIRE & RIM, RH, 18 X 9.50 -8 (WIDE)
03052-F	TIRE & RIM, RH, 18 X 9.50 -8 (WIDE), FOAM FILLED
03053	TIRE & RIM, LH, 18 X 9.50 -8 (WIDE)
03053-F	TIRE & RIM, LH, 18 X 9.50 -8 (WIDE), FOAM FILLED
03054	TIRE ONLY, 18 X 9.50 -8 TIRE (WIDE)

BARRETO

TITLE: WHEELS & WHEEL HUBS

PRODUCT LINE: 1324/1624/1824 DATE: 8/13/07

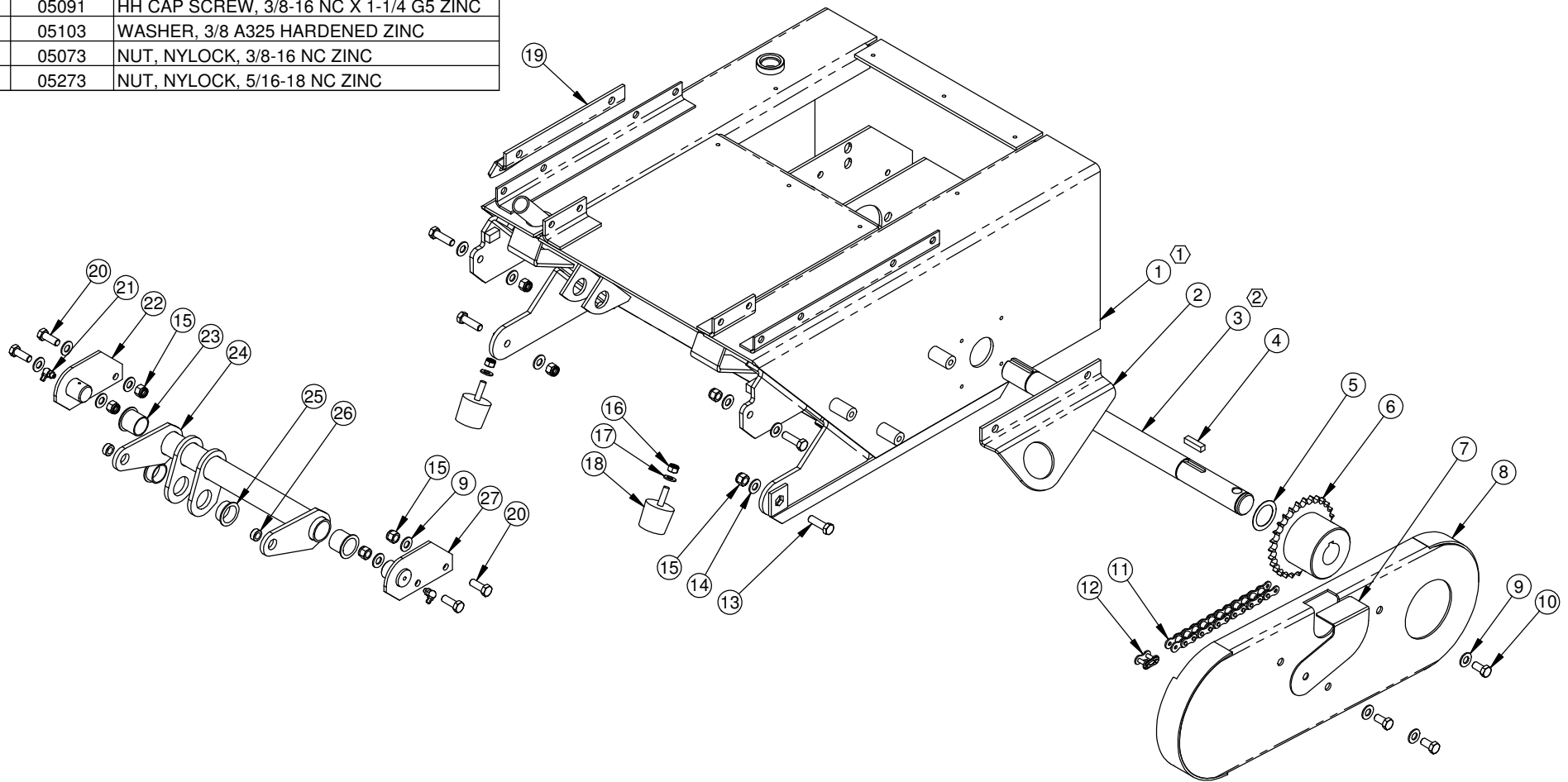
SCALE: 1:5
SHEET 1 OF 1

DWG# 00410

REF.	QTY.	PART NO.	DESCRIPTION	REF.	QTY.	PART NO.	DESCRIPTION
1	1	01200-4WD	LOWER BODY, 4WD	17	2	05068	WASHER, 5/16 SAE ZINC
2	1	01363-R	RH TIE DOWN BRACKET	18	2	03010	STOP PAD
3	1	02241	AXLE, RIGHT, 4WD	19	1	01363-L	LH TIE DOWN BRACKET
4	1	05015	KEY, 5/16 X 5/16 X 1-1/4	20	4	05059	HH CAP SCREW, 3/8-16 NC X 1 G5 ZINC
5	1	03202	THRUST WASHER, 1.25 X 1.75 X .030	21	2	05307	GREASE ZERK, 1/4-28 UNF 90°
6	1	02240	DRIVER SPROCKET	22	1	01357-L	LH SUSPENSION PIVOT
7	1	01348	CHAIN ACCESS COVER	23	2	03269	BUSHING, IGUS LFI-1618-16
8	1	01345	CHAIN COVER	24	1	01356	TORQUE TUBE
9	11	05101	WASHER, 3/8 SAE ZINC	25	2	03268	BUSHING, IGUS LFI-1618-08
10	3	05057	HH CAP SCREW, 3/8-16 NC X 3/4 G5 ZINC	26	2	02253	BUSHING, LINK PIN
11	1	03278	ROLLER CHAIN, #50, 75 PITCH	27	1	01357-R	RH SUSPENSION PIVOT
12	1	03017	MASTER LINK, #50 CHAIN				
13	4	05091	HH CAP SCREW, 3/8-16 NC X 1-1/4 G5 ZINC				
14	6	05103	WASHER, 3/8 A325 HARDENED ZINC				
15	8	05073	NUT, NYLOCK, 3/8-16 NC ZINC				
16	2	05273	NUT, NYLOCK, 5/16-18 NC ZINC				

① FOR OTHER LOWER BODY PARTS SEE DWG# 00383.

② FOR OTHER AXLE PARTS SEE DWG# 00379.



BARRETO

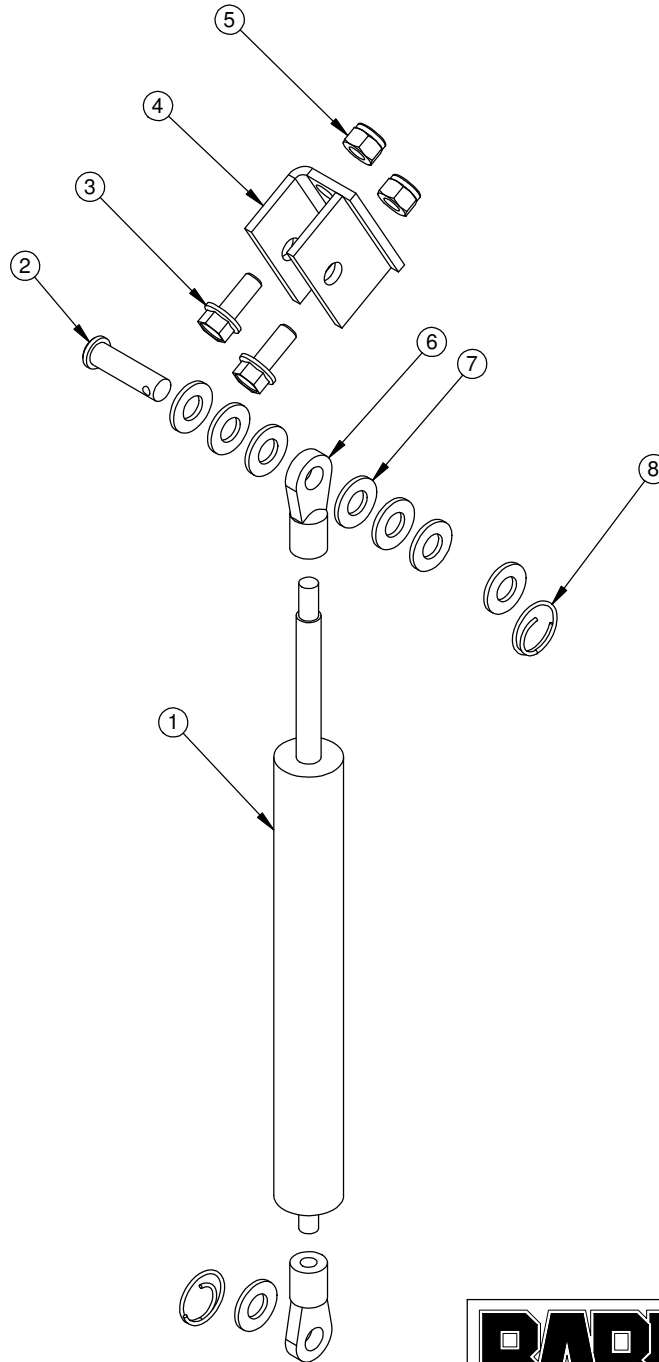
TITLE: 4WD BODY

PRODUCT LINE: 1324/1624/1824 DATE: 8/22/07

SCALE: 1:8.5
SHEET 1 OF 1

DWG# 00413

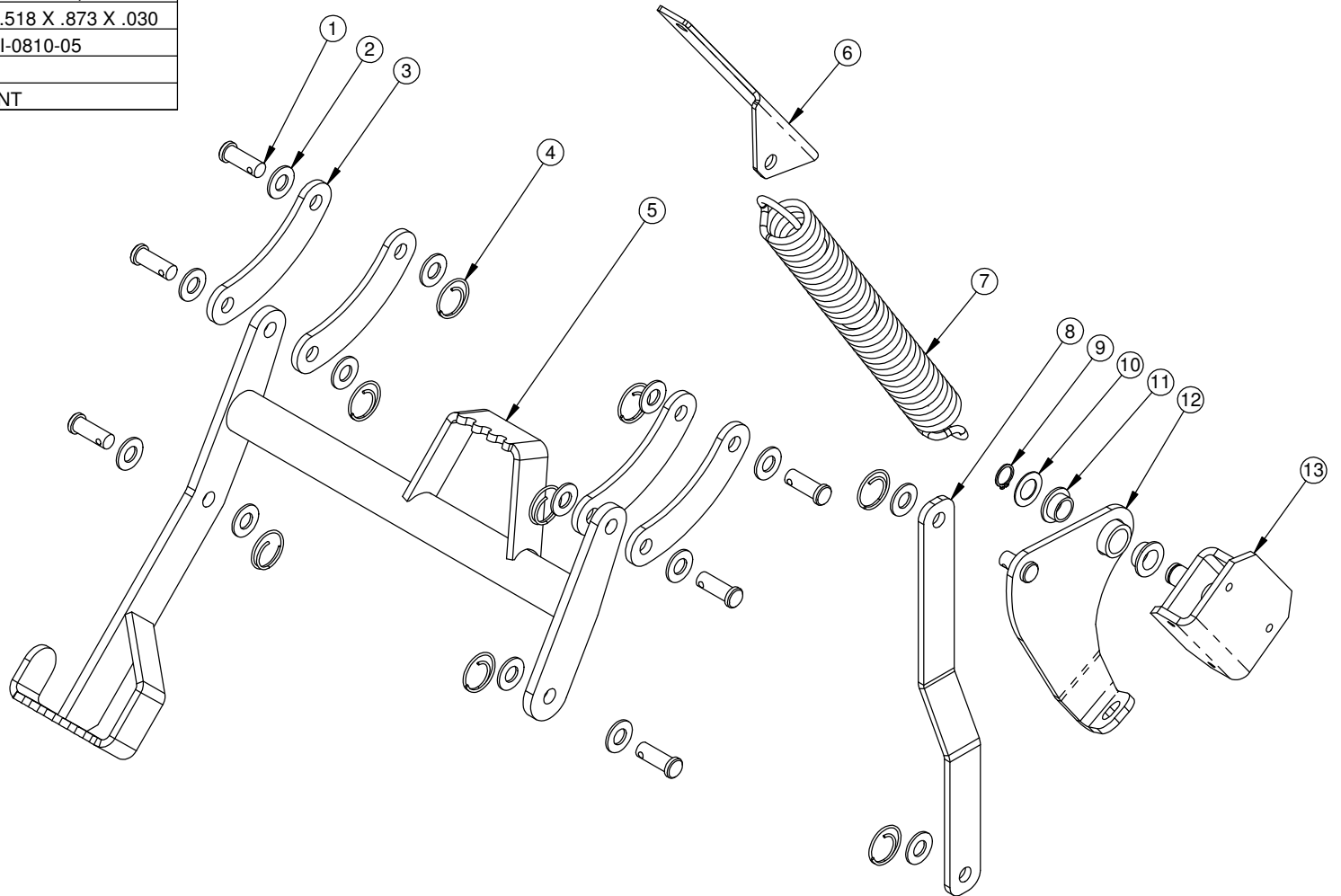
REF.	QTY.	PART NO.	DESCRIPTION
1	1	03265	DAMPER
2	1	11260	CLEVIS PIN, 5/16 X 1-1/8 ZINC
3	2	05069	WHIZ LOCK, 1/4-20 NC X 5/8 ZINC
4	1	01362	DAMPER MOUNT
5	2	05096	NUT, NYLOCK, 1/4-20 NC ZINC
6	2	03267	ROD EYE
7	8	05068	WASHER, 5/16 SAE ZINC
8	2	05039-5	CIRCLE COTTER, CC-5



BARRETO

TITLE: 4WD DAMPER
 PRODUCT LINE: 1324/1624/1824 DATE: 8/7/07
 SCALE: 1:2.4 DWG# 00414
 SHEET 1 OF 1

REF.	QTY.	PART NO.	DESCRIPTION
1	6	03275	CLEVIS PIN, 3/8 X 1 ZINC
2	14	05101	WASHER, 3/8 SAE ZINC
3	4	01349	LOCK LINK
4	8	05039-7	CIRCLE COTTER, CC-7
5	1	01343	LOCK LEVER
6	1	01365	RAISE SPRING MOUNT
7	1	10515	SPRING, CENTURY 5523
8	1	01367	RAISE LINK </td
9	1	05506	SNAP RING, 1/2" EXTERNAL, SH-50
10	1	10113	THRUST WASHER, .518 X .873 X .030
11	2	10100	BUSHING, IGUS MFI-0810-05
12	1	01366	RAISE LEVER
13	1	01368	RAISE LEVER MOUNT



BARRETO

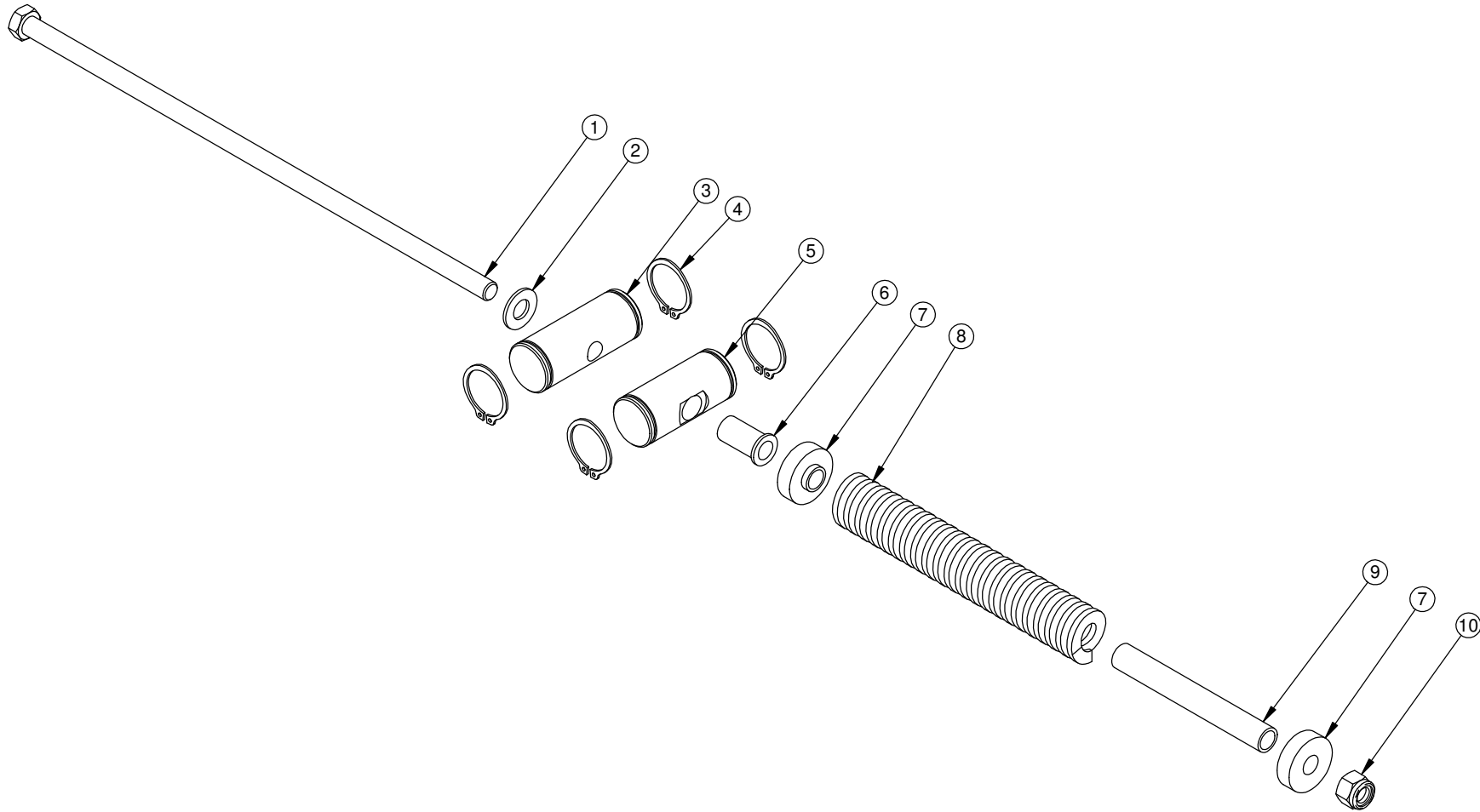
TITLE: 4WD LIFT LINKAGE

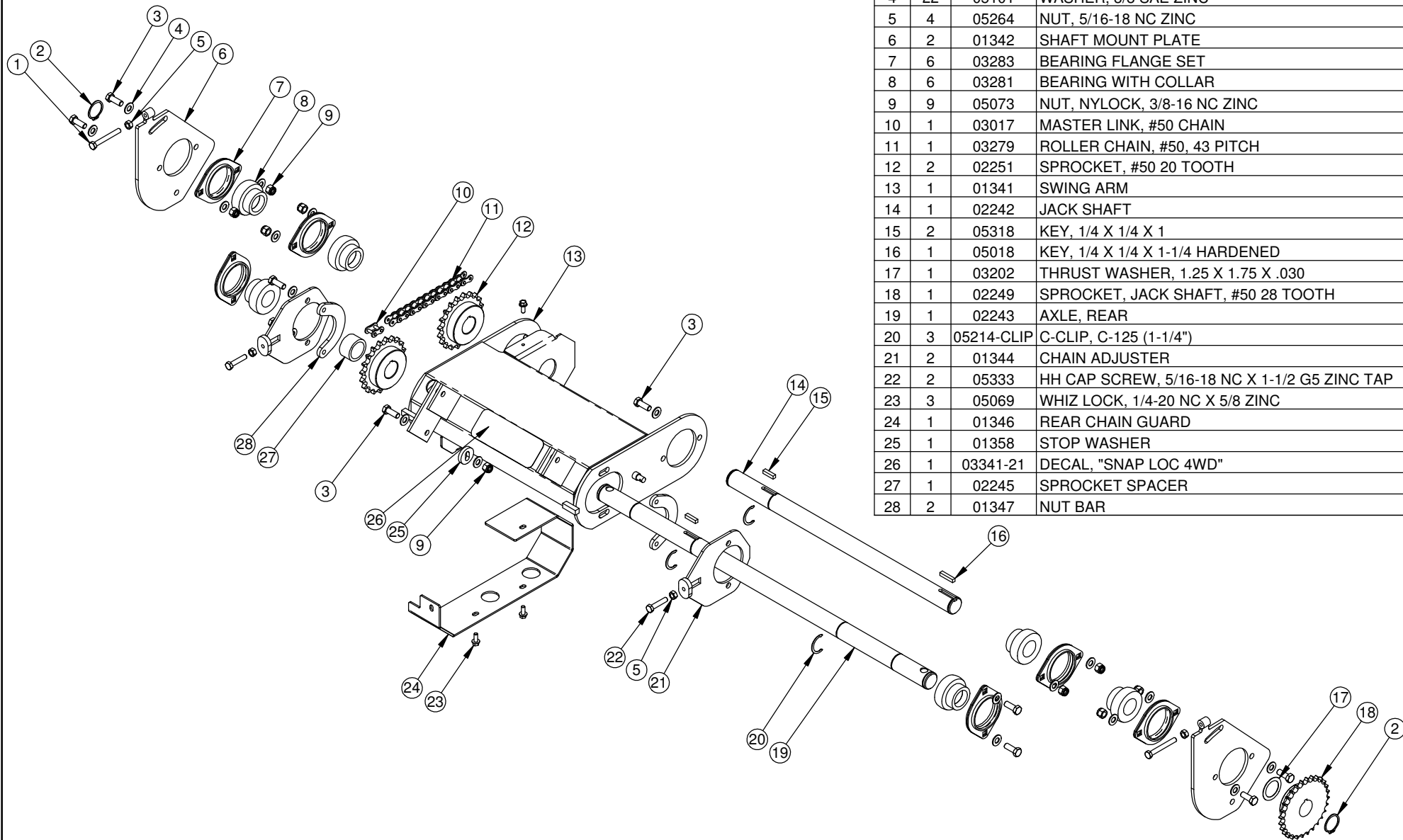
PRODUCT LINE: 1324/1624/1824 DATE: 8/7/07

SCALE: 1:4
SHEET 1 OF 1

DWG# 00415

REF.	QTY.	PART NO.	DESCRIPTION
1	1	05330	HH CAP SCREW, 3/8-16 NC X 12 G5 ZINC
2	1	05103	WASHER, 3/8 A325 HARDENED ZINC
3	1	02250	UPPER SPRING PIVOT
4	4	05010	SNAP RING, 1" EXTERNAL
5	1	02247	LOWER SPRING PIVOT
6	1	10510	BUSHING, IGUS MFI-0608-16
7	2	02246	SPRING CAP
8	1	03273	DIE SPRING, MHP-514, 7 X 1-1/4
9	1	02248	STOP TUBE
10	1	05073	NUT, NYLOCK, 3/8-16 NC ZINC





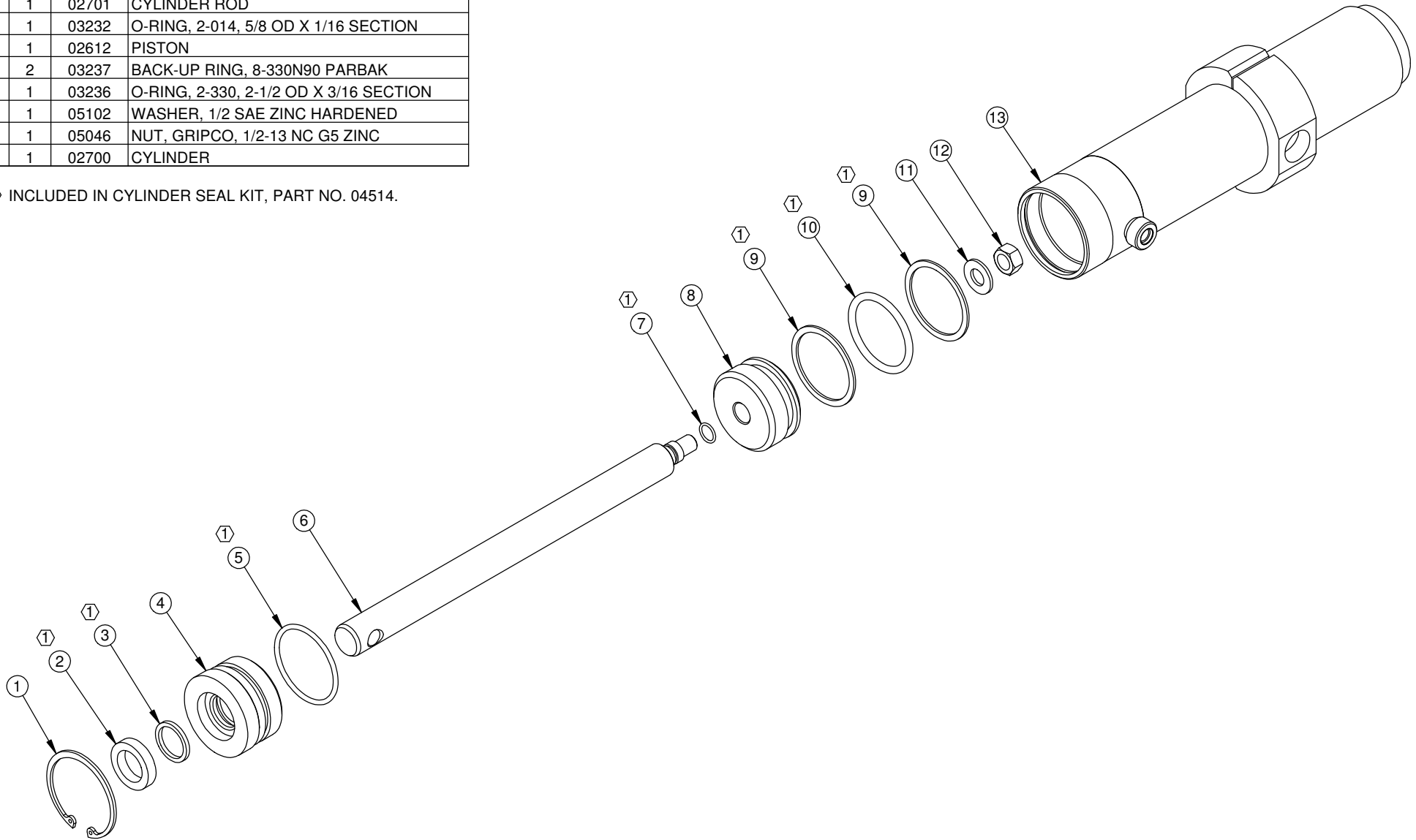
REF.	QTY.	PART NO.	DESCRIPTION
1	2	05255	HH CAP SCREW, 5/16-18 NC X 2-1/2 G5 ZINC TAP
2	2	05214	SNAP RING, 1-1/4" EXTERNAL, SH-125
3	13	05059	HH CAP SCREW, 3/8-16 NC X 1 G5 ZINC
4	22	05101	WASHER, 3/8 SAE ZINC
5	4	05264	NUT, 5/16-18 NC ZINC
6	2	01342	SHAFT MOUNT PLATE
7	6	03283	BEARING FLANGE SET
8	6	03281	BEARING WITH COLLAR
9	9	05073	NUT, NYLOCK, 3/8-16 NC ZINC
10	1	03017	MASTER LINK, #50 CHAIN
11	1	03279	ROLLER CHAIN, #50, 43 PITCH
12	2	02251	SPROCKET, #50 20 TOOTH
13	1	01341	SWING ARM
14	1	02242	JACK SHAFT
15	2	05318	KEY, 1/4 X 1/4 X 1
16	1	05018	KEY, 1/4 X 1/4 X 1-1/4 HARDENED
17	1	03202	THRUST WASHER, 1.25 X 1.75 X .030
18	1	02249	SPROCKET, JACK SHAFT, #50 28 TOOTH
19	1	02243	AXLE, REAR
20	3	05214-CLIP	C-CLIP, C-125 (1-1/4")
21	2	01344	CHAIN ADJUSTER
22	2	05333	HH CAP SCREW, 5/16-18 NC X 1-1/2 G5 ZINC TAP
23	3	05069	WHIZ LOCK, 1/4-20 NC X 5/8 ZINC
24	1	01346	REAR CHAIN GUARD
25	1	01358	STOP WASHER
26	1	03341-21	DECAL, "SNAP LOC 4WD"
27	1	02245	SPROCKET SPACER
28	2	01347	NUT BAR

BARRETO

TITLE: 4WD SWING ARM
 PRODUCT LINE: 1324/1624/1824 DATE: 8/22/07
 SCALE: 1:9.4 DWG# 00417
 SHEET 1 OF 1

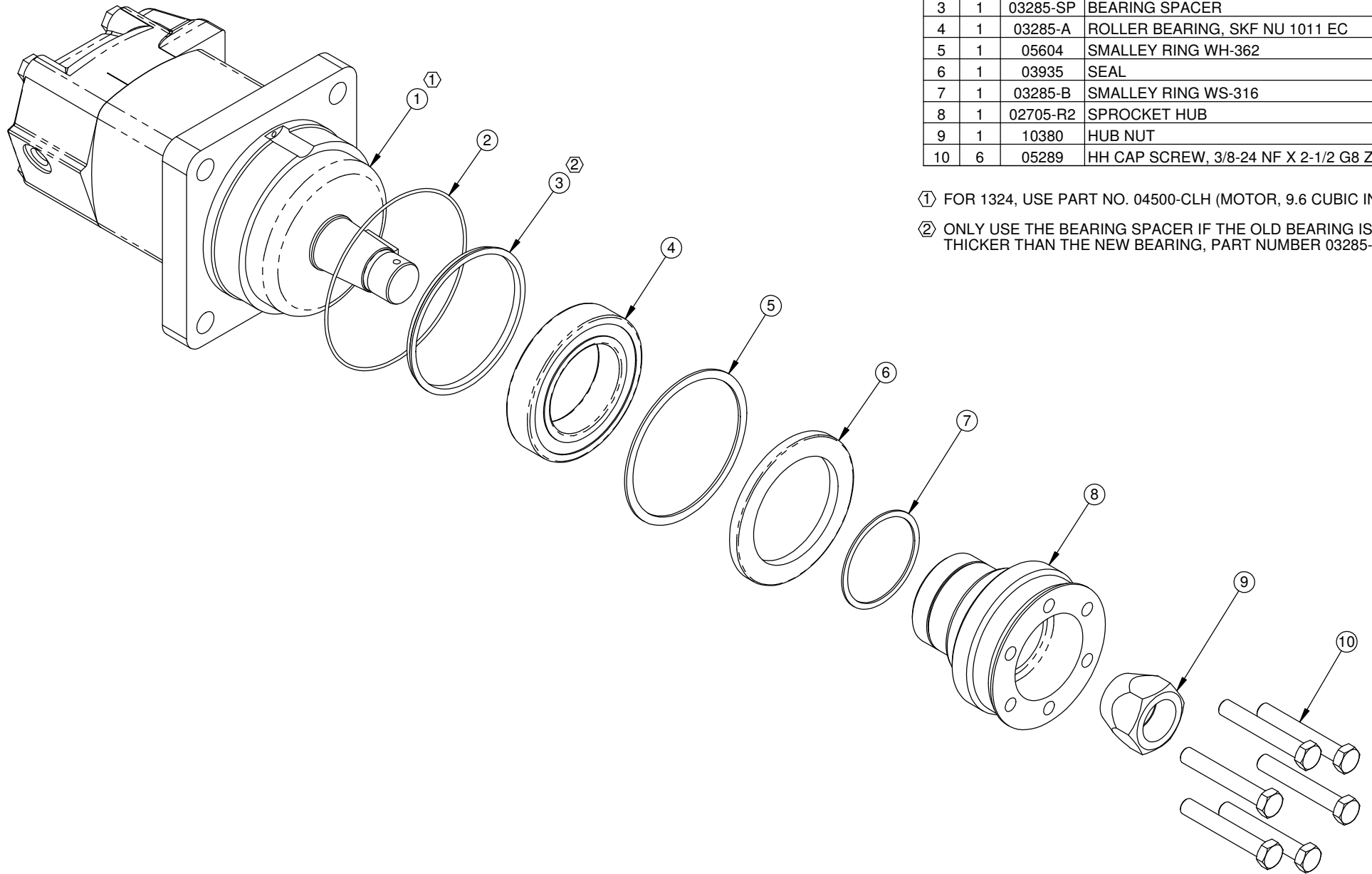
REF.	QTY.	PART NO.	DESCRIPTION
1	1	05211	SNAP RING, HO-256, 2-9/16 INTERNAL ZINC
2	1	03255	WIPER, 1 X 1-1/2 X 5/16 J-1000
3	1	03259	SEAL, 1x1/8x1/8 ROD
4	1	02613	CYLINDER END
5	1	03234	O-RING, 2-228, 2-1/2 OD X 1/8 SECTION
6	1	02701	CYLINDER ROD
7	1	03232	O-RING, 2-014, 5/8 OD X 1/16 SECTION
8	1	02612	PISTON
9	2	03237	BACK-UP RING, 8-330N90 PARBAK
10	1	03236	O-RING, 2-330, 2-1/2 OD X 3/16 SECTION
11	1	05102	WASHER, 1/2 SAE ZINC HARDENED
12	1	05046	NUT, GRIPCO, 1/2-13 NC G5 ZINC
13	1	02700	CYLINDER

① INCLUDED IN CYLINDER SEAL KIT, PART NO. 04514.



BARRETO

TITLE: CYLINDER ASSEMBLY
 PRODUCT LINE: COMMON DATE: 7/2/07
 SCALE: 1:4 DWG# 02700-ASML
 SHEET 1 OF 1



REF.	QTY.	PART NO.	DESCRIPTION
1	1	04500-CLB	MOTOR, 11.9 CUBIC INCH (1624 & 1824)
2	1	03925	O-RING, 2-046, 4-1/4 OD X 1/16 SECTION
3	1	03285-SP	BEARING SPACER
4	1	03285-A	ROLLER BEARING, SKF NU 1011 EC
5	1	05604	SMALLEY RING WH-362
6	1	03935	SEAL
7	1	03285-B	SMALLEY RING WS-316
8	1	02705-R2	SPROCKET HUB
9	1	10380	HUB NUT
10	6	05289	HH CAP SCREW, 3/8-24 NF X 2-1/2 G8 ZINC

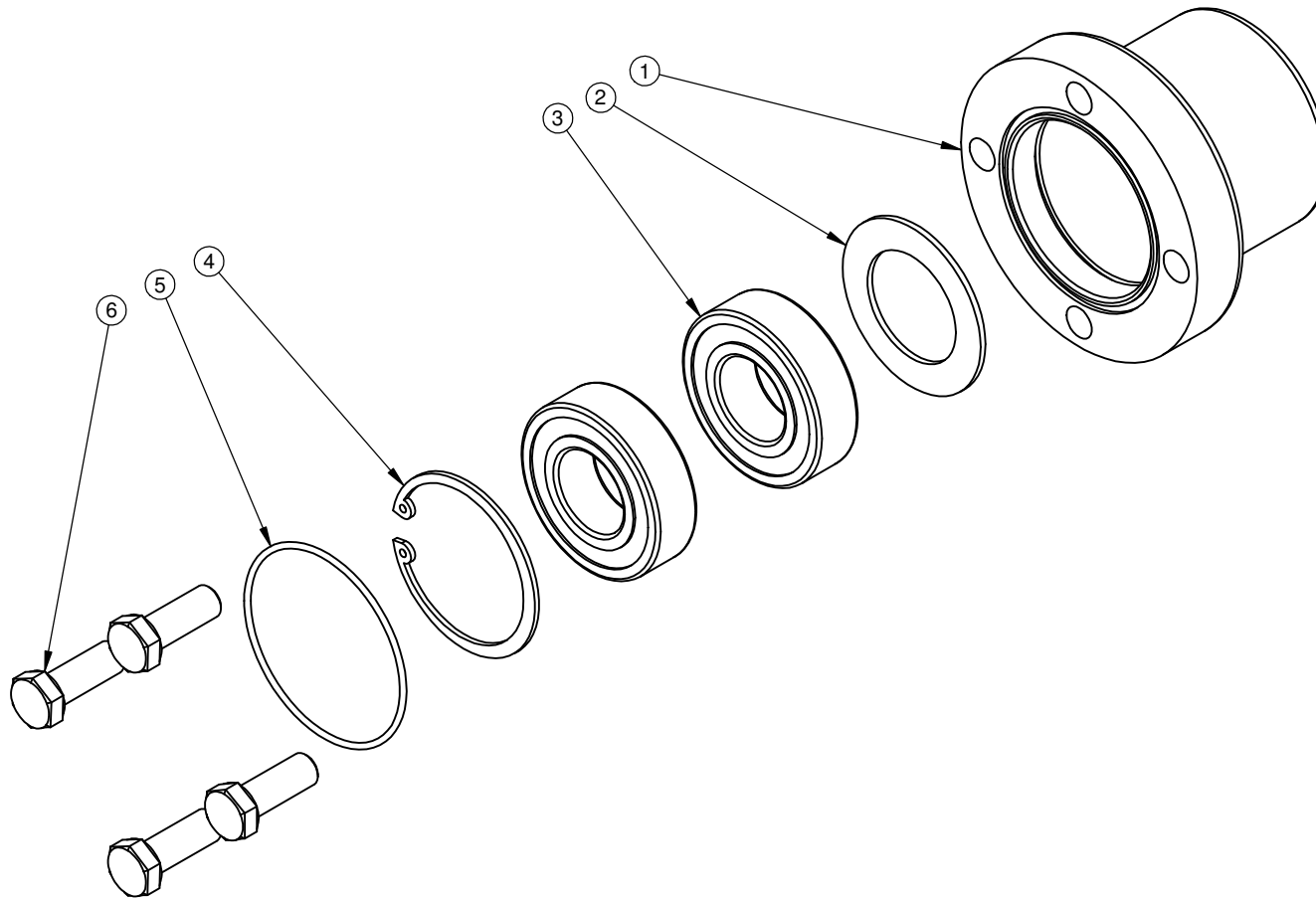
① FOR 1324, USE PART NO. 04500-CLH (MOTOR, 9.6 CUBIC INCH).

② ONLY USE THE BEARING SPACER IF THE OLD BEARING IS THICKER THAN THE NEW BEARING, PART NUMBER 03285-A.

BARRETO

TITLE: CHAIN DRIVE HUB & MOTOR
REPLACEMENT KIT - UPS ONLY
PRODUCT LINE: 1324/1624/1824 DATE: 8/14/07
SCALE: 1:3 SHEET 1 OF 1 DWG# 04500-B-K

REF.	QTY.	PART NO.	DESCRIPTION
1	1	10142	OUTBOARD BEARING HOUSING, 4 BOLT
2	1	01026	SHIELD, OUTBOARD BEARING
3	2	03043	BALL BEARING, 6205
4	1	05024	SNAP RING, HO-200, 2" INTERNAL
5	1	03904	O-RING, 2-035, 2-3/8 OD X 1/16 SECTION
6	4	05059	HH CAP SCREW, 3/8-16 NC X 1 G5 ZINC

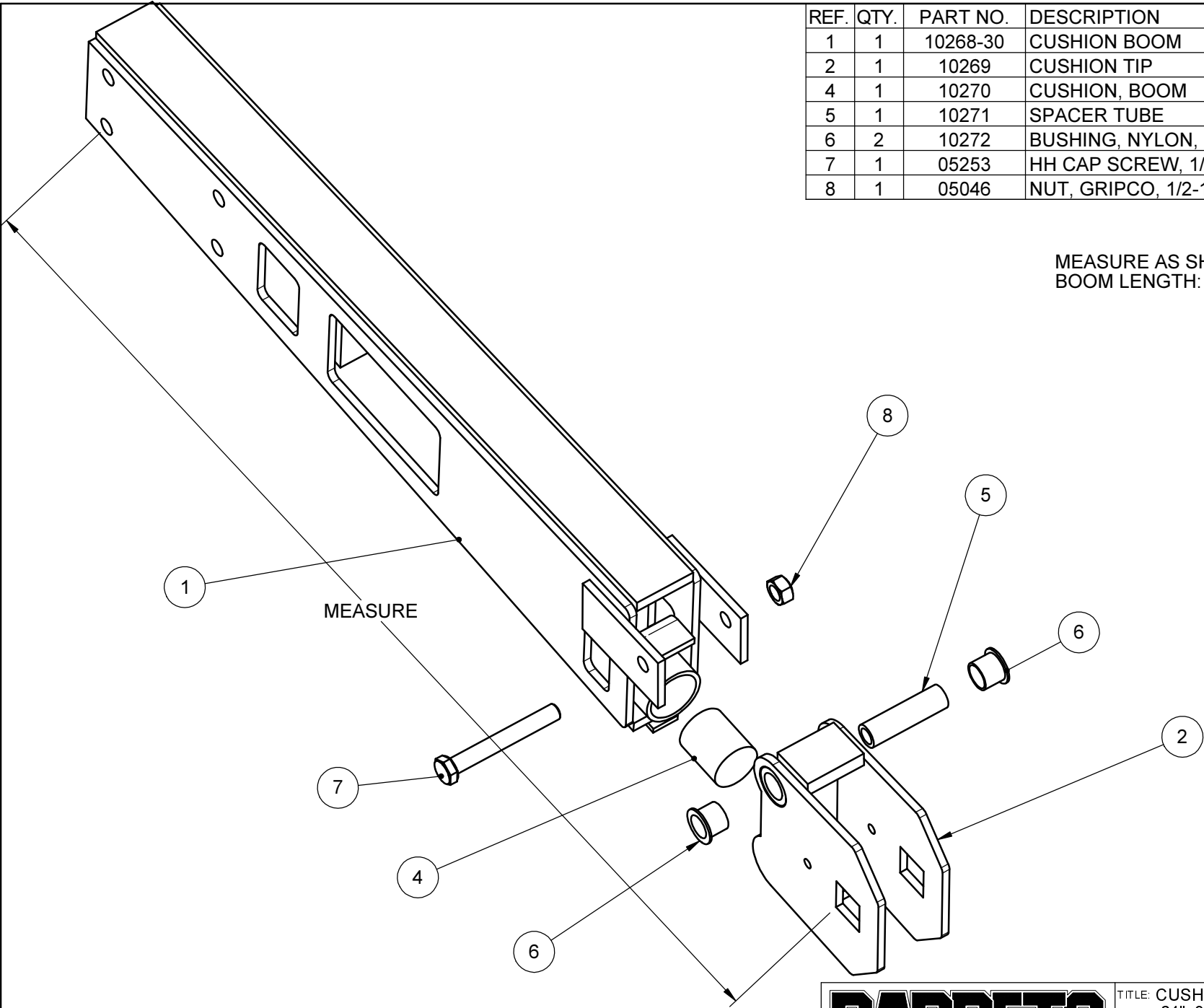


BARRETO

TITLE: OUTBOARD BEARING ASSEMBLY,
4 BOLT
PRODUCT LINE: COMMON DATE: 3/2/04
SCALE: 1:2 DWG# 10144
SHEET 1 OF 1

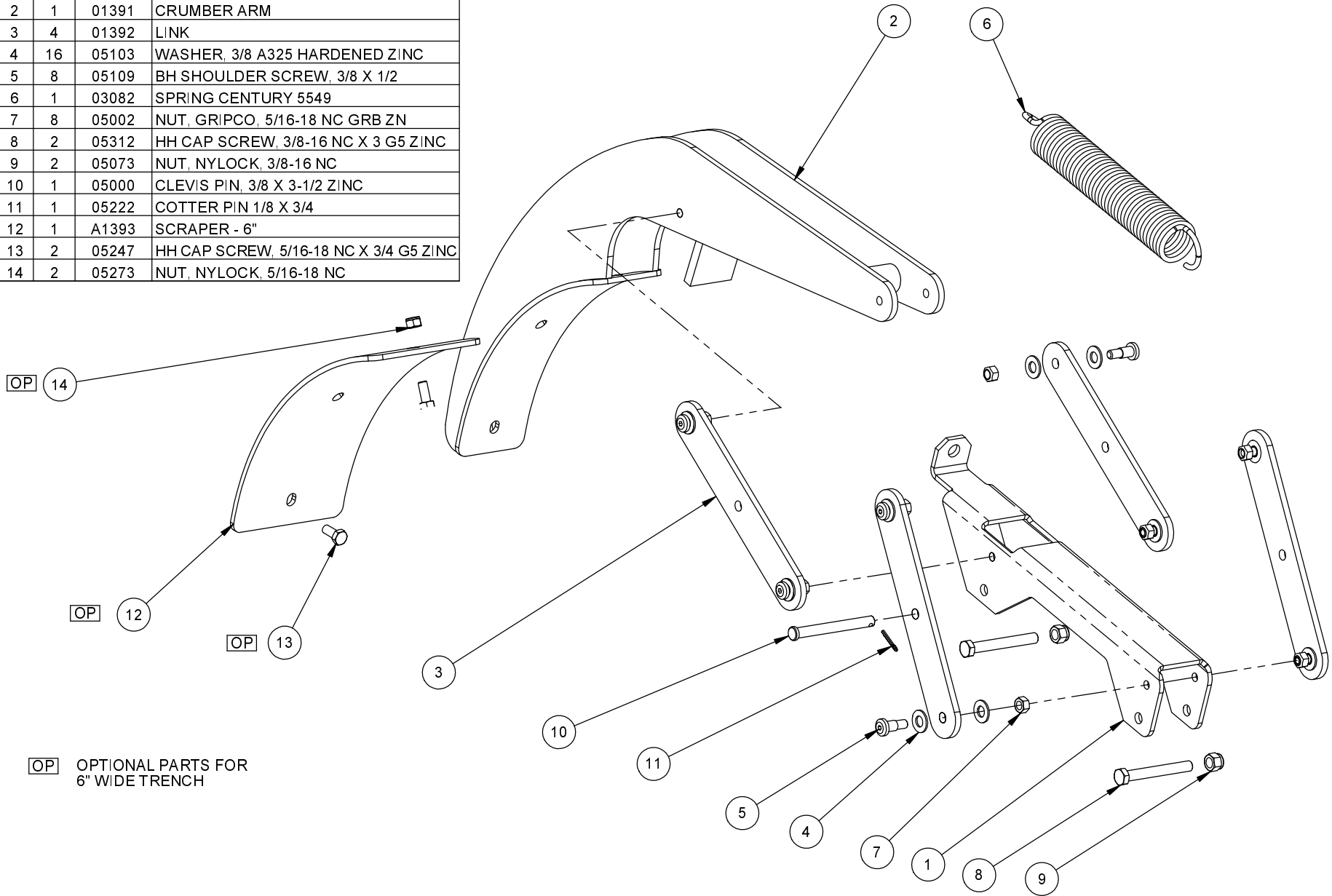
REF.	QTY.	PART NO.	DESCRIPTION
1	1	10268-30	CUSHION BOOM
2	1	10269	CUSHION TIP
4	1	10270	CUSHION, BOOM
5	1	10271	SPACER TUBE
6	2	10272	BUSHING, NYLON, IGUS MFI-1214-12
7	1	05253	HH CAP SCREW, 1/2-13 NC X 3-3/4 G5 ZINC
8	1	05046	NUT, GRIPCO, 1/2-13 NC

MEASURE AS SHOWN TO DETERMINE
BOOM LENGTH: 24", 30", 36"



TITLE: CUSHION BOOM ASSEMBLY
24", 30", 36", (30" SHOWN)
PRODUCT LINE: TRENCHER 1324, 1624 DATE: 2/13/04
SCALE: 1:8 DWG# 10268-30-ASSY
SHEET 1 OF 1

REF.	QTY.	PART NO.	DESCRIPTION
1	1	01394	CRUMBER MOUNT
2	1	01391	CRUMBER ARM
3	4	01392	LINK
4	16	05103	WASHER, 3/8 A325 HARDENED ZINC
5	8	05109	BH SHOULDER SCREW, 3/8 X 1/2
6	1	03082	SPRING CENTURY 5549
7	8	05002	NUT, GRIPCO, 5/16-18 NC GRB ZN
8	2	05312	HH CAP SCREW, 3/8-16 NC X 3 G5 ZINC
9	2	05073	NUT, NYLOCK, 3/8-16 NC
10	1	05000	CLEVIS PIN, 3/8 X 3-1/2 ZINC
11	1	05222	COTTER PIN 1/8 X 3/4
12	1	A1393	SCRAPER - 6"
13	2	05247	HH CAP SCREW, 5/16-18 NC X 3/4 G5 ZINC
14	2	05273	NUT, NYLOCK, 5/16-18 NC



OP OPTIONAL PARTS FOR
6" WIDE TRENCH

BARRETO

TITLE: CRUMBER ASSEMBLY

PRODUCT LINE: TRENCHER 1324 / 1624 DATE: 3/06

SCALE: 1:5
SHEET 1 OF 1

DWG# A1390