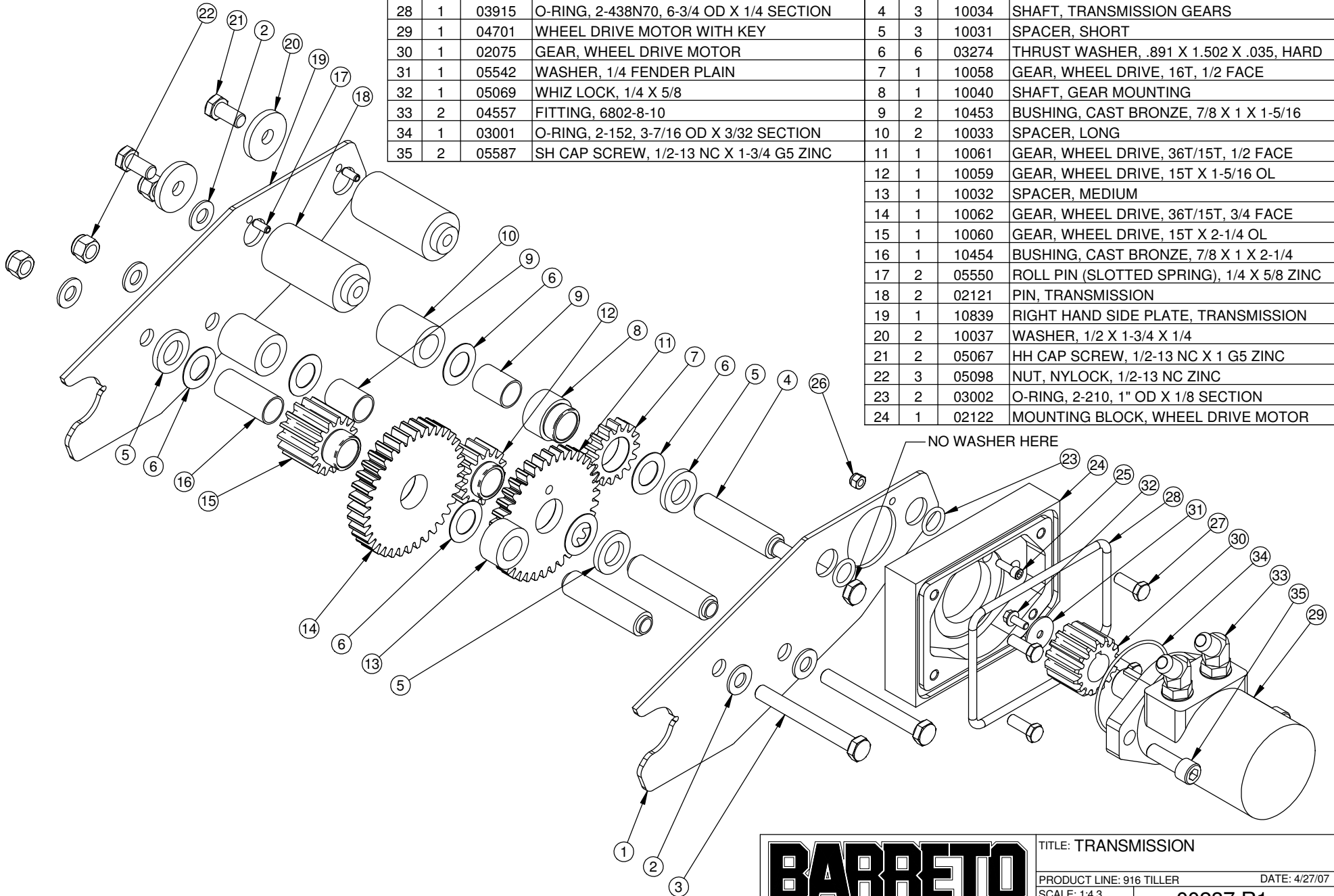


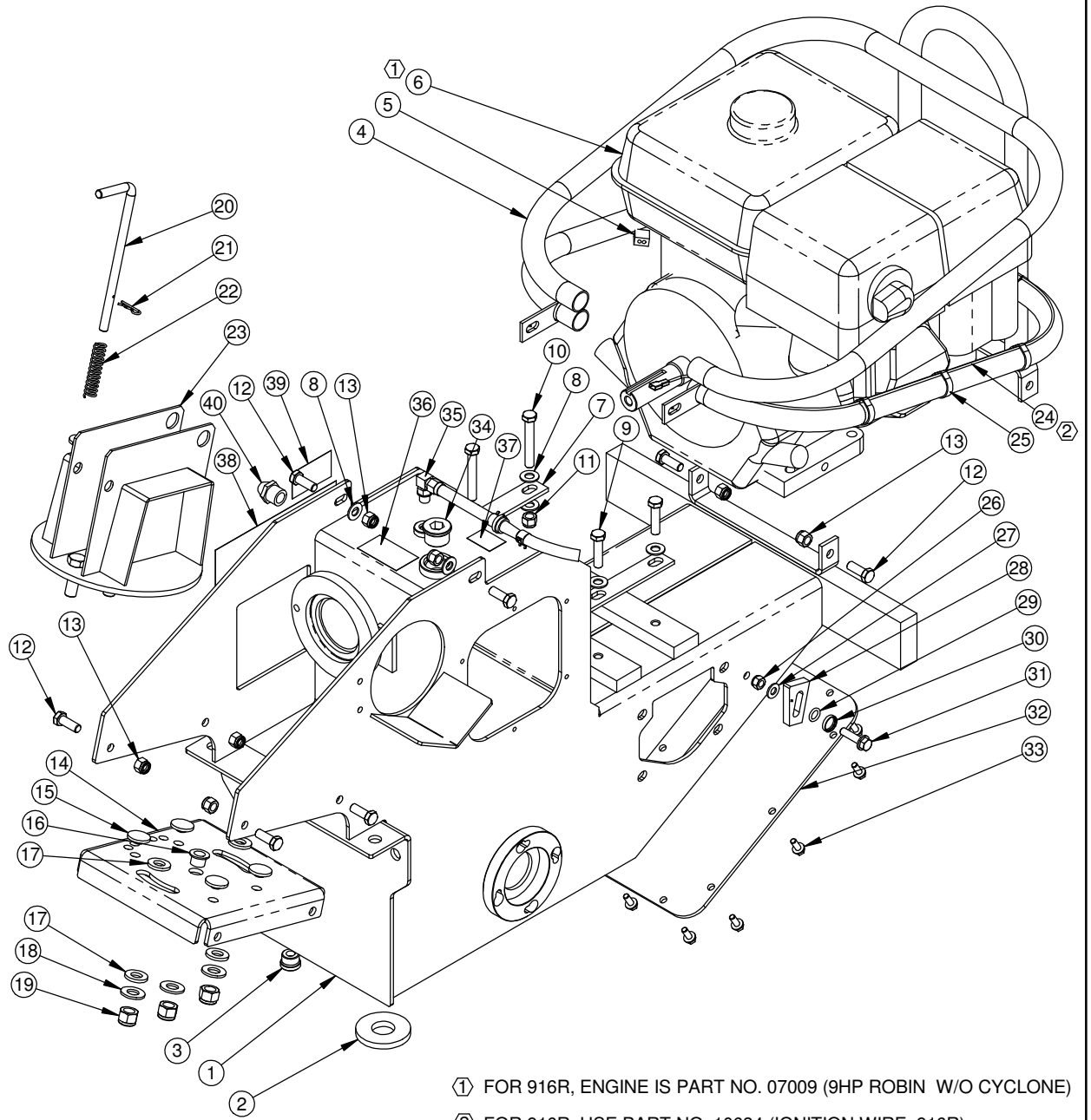
REF.	QTY.	PART NO.	DESCRIPTION	REF.	QTY.	PART NO.	DESCRIPTION
25	1	05331	SH CAP SCREW, 1/4-20 NC X 3/4 G5 PLAIN	1	1	10840	LEFT HAND SIDE PLATE, TRANSMISSION
26	1	05096	NUT, NYLOCK, 1/4-20 NC ZINC	2	5	05102	WASHER, 1/2 SAE ZINC HARDENED
27	4	05059	HH CAP SCREW, 3/8-16 NC X 1 G5 ZINC	3	3	05094	HH CAP SCREW, 1/2-13 NC X 4-1/2 G5 ZINC
28	1	03915	O-RING, 2-438N70, 6-3/4 OD X 1/4 SECTION	4	3	10034	SHAFT, TRANSMISSION GEARS
29	1	04701	WHEEL DRIVE MOTOR WITH KEY	5	3	10031	SPACER, SHORT
30	1	02075	GEAR, WHEEL DRIVE MOTOR	6	6	03274	THRUST WASHER, .891 X 1.502 X .035, HARD
31	1	05542	WASHER, 1/4 FENDER PLAIN	7	1	10058	GEAR, WHEEL DRIVE, 16T, 1/2 FACE
32	1	05069	WHIZ LOCK, 1/4 X 5/8	8	1	10040	SHAFT, GEAR MOUNTING
33	2	04557	FITTING, 6802-8-10	9	2	10453	BUSHING, CAST BRONZE, 7/8 X 1 X 1-5/16
34	1	03001	O-RING, 2-152, 3-7/16 OD X 3/32 SECTION	10	2	10033	SPACER, LONG
35	2	05587	SH CAP SCREW, 1/2-13 NC X 1-3/4 G5 ZINC	11	1	10061	GEAR, WHEEL DRIVE, 36T/15T, 1/2 FACE
				12	1	10059	GEAR, WHEEL DRIVE, 15T X 1-5/16 OL
				13	1	10032	SPACER, MEDIUM
				14	1	10062	GEAR, WHEEL DRIVE, 36T/15T, 3/4 FACE
				15	1	10060	GEAR, WHEEL DRIVE, 15T X 2-1/4 OL
				16	1	10454	BUSHING, CAST BRONZE, 7/8 X 1 X 2-1/4
				17	2	05550	ROLL PIN (SLOTTED SPRING), 1/4 X 5/8 ZINC
				18	2	02121	PIN, TRANSMISSION
				19	1	10839	RIGHT HAND SIDE PLATE, TRANSMISSION
				20	2	10037	WASHER, 1/2 X 1-3/4 X 1/4
				21	2	05067	HH CAP SCREW, 1/2-13 NC X 1 G5 ZINC
				22	3	05098	NUT, NYLOCK, 1/2-13 NC ZINC
				23	2	03002	O-RING, 2-210, 1" OD X 1/8 SECTION
				24	1	02122	MOUNTING BLOCK, WHEEL DRIVE MOTOR



BARRETO

TITLE: TRANSMISSION
 PRODUCT LINE: 916 TILLER
 SCALE: 1:4.3
 SHEET 1 OF 1
 DATE: 4/27/07
 DWG# 00237 R1

REF.	QTY.	PART NO.	DESCRIPTION
1	1	10701	916 & 918 BODY, BOLT ON TORQUE TUBE
2	2	03520	MAGNET
3	1	10361	FITTING, 6409-8 PLUG
4	1	10188	ENGINE GUARD, 916
5	1	03806	QUICK-SPLICE
6	1	07006	ENGINE, 9 HP HONDA GX270
7	2	11188	SPACER, 9 HP ENGINES
8	8	05101	WASHER, 3/8 SAE ZINC
9	2	05092	HH CAP SCREW, 3/8-16 NC X 1-1/2 G5 ZINC
10	2	05284	HH CAP SCREW, 3/8-16 NC X 2-1/2 G8 ZINC
11	2	05073	NUT, NYLOCK, 3/8-16 NC
12	8	05056	HH CAP SCREW, 3/8-24 NF X 1 G5 ZINC
13	8	05072	NUT, NYLOCK, 3/8-24 NF
14	1	10035	MOUNTING PLATE, HANDLE BAR
15	4	10064	BUSHING, NYLATRON, 1" OD SOLID
16	1	03501	BUSHING, IGUS MFI-0810-08
17	4	10469	THRUST WASHER, .500 X 1.000 X .125 NYLATRON
18	3	05102	WASHER, 1/2 SAE ZINC HARDENED
19	3	05098	NUT, NYLOCK, 1/2-13 NC
20	1	10068	PIN, HANDLE BAR
21	1	03065	HAIR SPRING COTTER #4
22	1	03080	SPRING
23	1	10036	HANDLE BAR BRACKET
24	1	10558	IGNITION WIRE, 916
25	6	03035	TIE WRAP, 1/8 X 6
26	1	05273	NUT, NYLOCK, 5/16-18 NC
27	1	05068	WASHER, 5/16 SAE ZINC
28	1	10555	WEDGE </td
29	1	03907	O-RING, 2-111, 5/8 OD X 3/32 SECTION
30	1	02526	HOUSING, 2-111 O-RING & FLANGE SCREW
31	1	05138	HH FLANGE SCREW, 5/16-18 NC X 1-1/4 G8 ZINC
32	1	10056	ACCESS PLATE
33	10	05069	WHIZ LOCK, 1/4-20 UNC X 5/8
34	1	10526	FITTING, 6409-12 PLUG
35	1	10189 R2	BREATHER HOSE ASSEMBLY
36	1	03040-06	DECAL, "HYDRAULIC OIL ONLY"
37	1	03040-16	DECAL, "CE"
38	1	03040-11	DECAL, "BARRETO", 2-3/16 X 7-3/8
39	1	03040-57	DECAL, "HYDRAULIC OIL LEVEL"
40	1	03503	SIGHT GAUGE

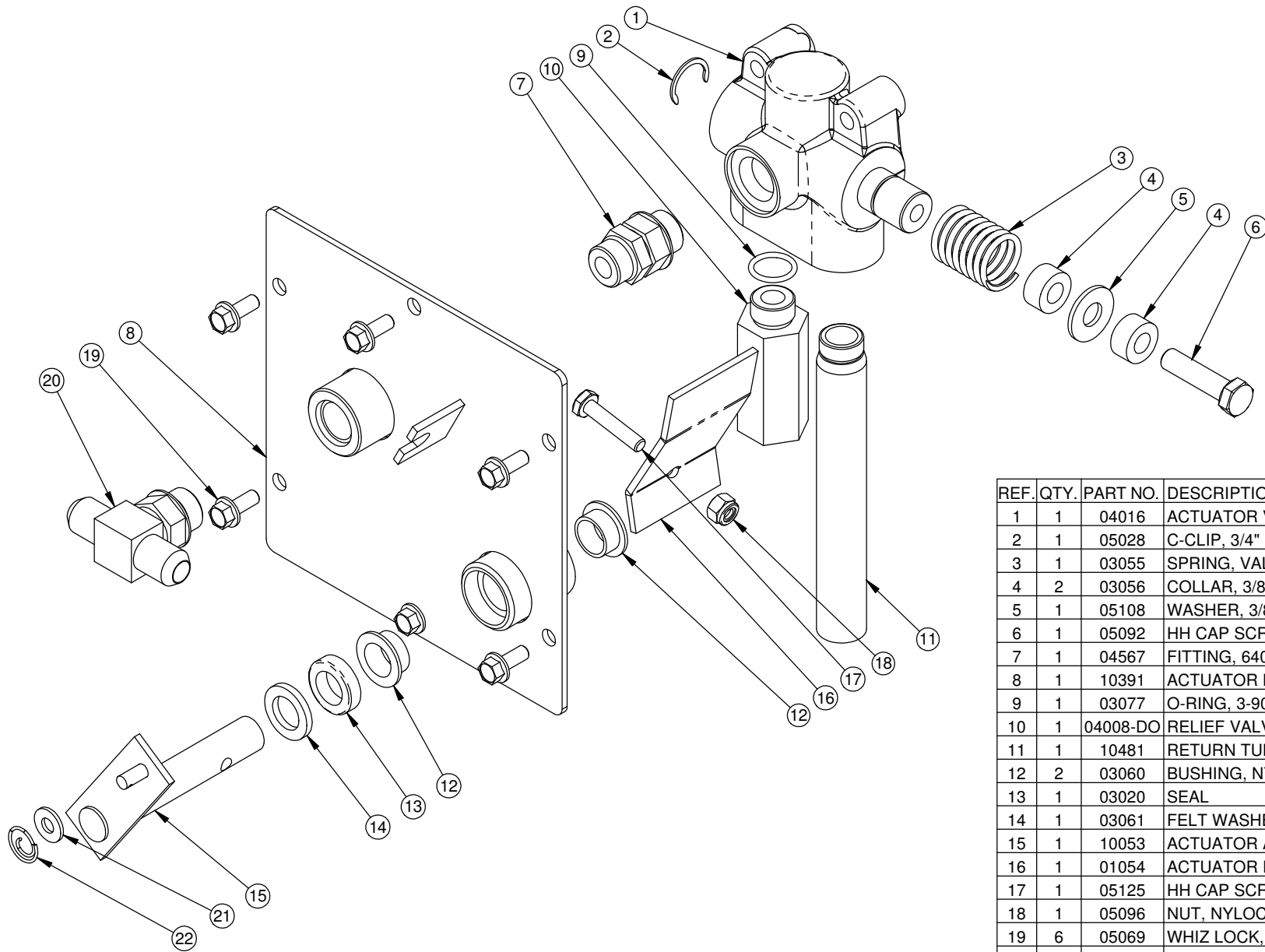


① FOR 916R, ENGINE IS PART NO. 07009 (9HP ROBIN W/O CYCLONE)

② FOR 916R, USE PART NO. 10634 (IGNITION WIRE, 916R)

BARRETO

TITLE: BODY,
BOLT ON TORQUE TUBE
PRODUCT LINE: 916/18 DATE: 12/4/06
SCALE: 1:7.2 DWG# 00238 R4
SHEET 1 OF 1



REF.	QTY.	PART NO.	DESCRIPTION
1	1	04016	ACTUATOR VALVE, O-RING PORTS
2	1	05028	C-CLIP, 3/4"
3	1	03055	SPRING, VALVE SPOOL RETURN
4	2	03056	COLLAR, 3/8 ID
5	1	05108	WASHER, 3/8 USS, ZINC
6	1	05092	HH CAP SCREW, 3/8-16 NC X 1-1/2 G5 ZINC
7	1	04567	FITTING, 6407-8-8
8	1	10391	ACTUATOR HOUSING PLATE
9	1	03077	O-RING, 3-908, -8 FITTINGS
10	1	04008-DO	RELIEF VALVE, 2750 POUND, O-RING
11	1	10481	RETURN TUBE, #8 O-RING
12	2	03060	BUSHING, NYLON, IGUS MFI-1012-06
13	1	03020	SEAL
14	1	03061	FELT WASHER, 5/8 X 1 X 1/8
15	1	10053	ACTUATOR ARM
16	1	01054	ACTUATOR PLATE
17	1	05125	HH CAP SCREW 1/4-20 NC X 1-1/4 G5 ZINC
18	1	05096	NUT, NYLOCK, 1/4-20 NC
19	6	05069	WHIZ LOCK, 1/4-20 UNC X 5/8
20	1	04017	FITTING, 6803-8-8-8
21	1	05081	WASHER, 1/4 SAE ZINC
22	1	05039	CIRCLE COTTER CC-3

BARRETO

TITLE: ACTUATOR VALVE

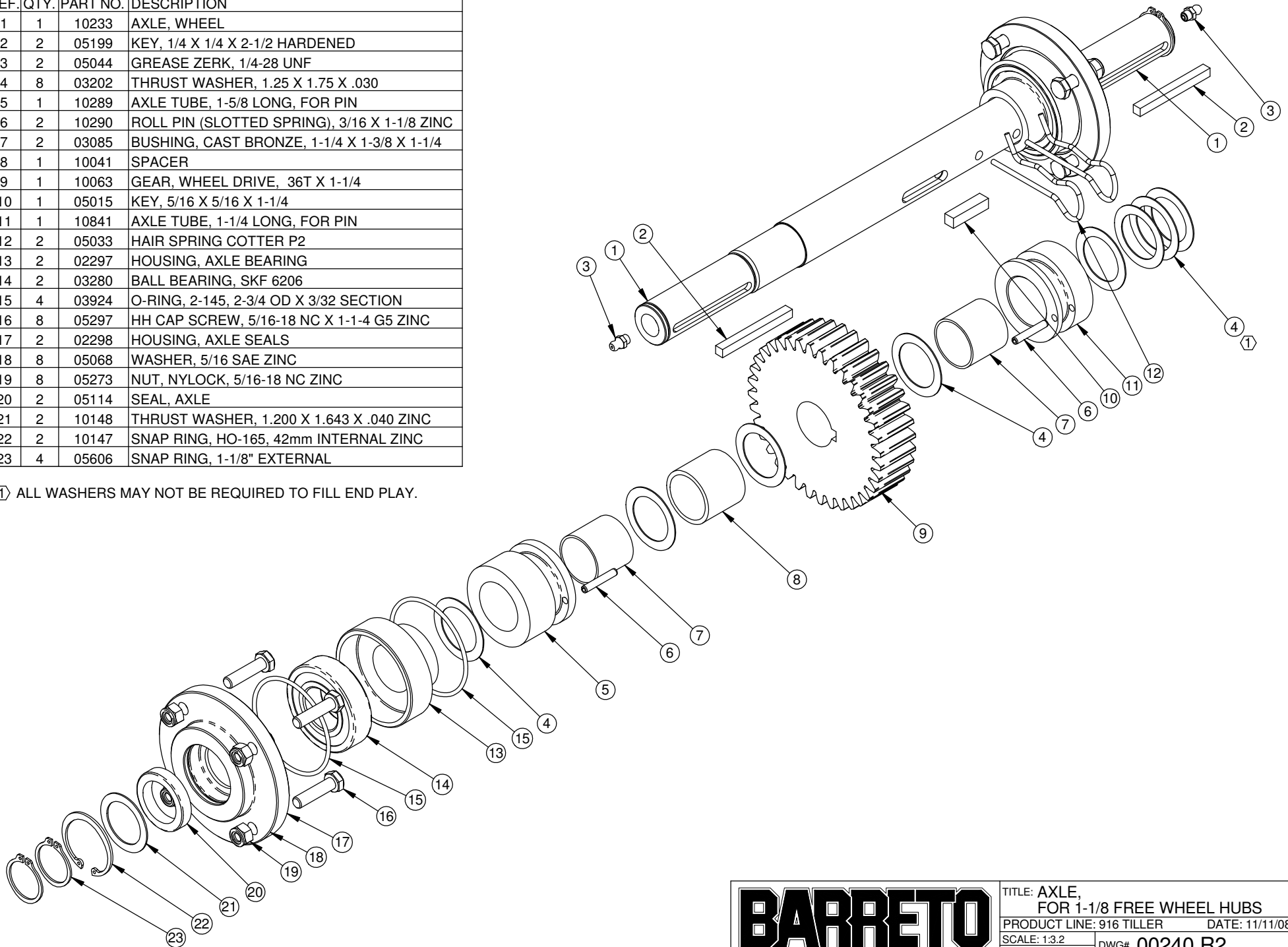
PRODUCT LINE: 916 TILLER DATE: 3/31/06

SCALE: 1:2.5
SHEET 1 OF 1

DWG# 00239 R3

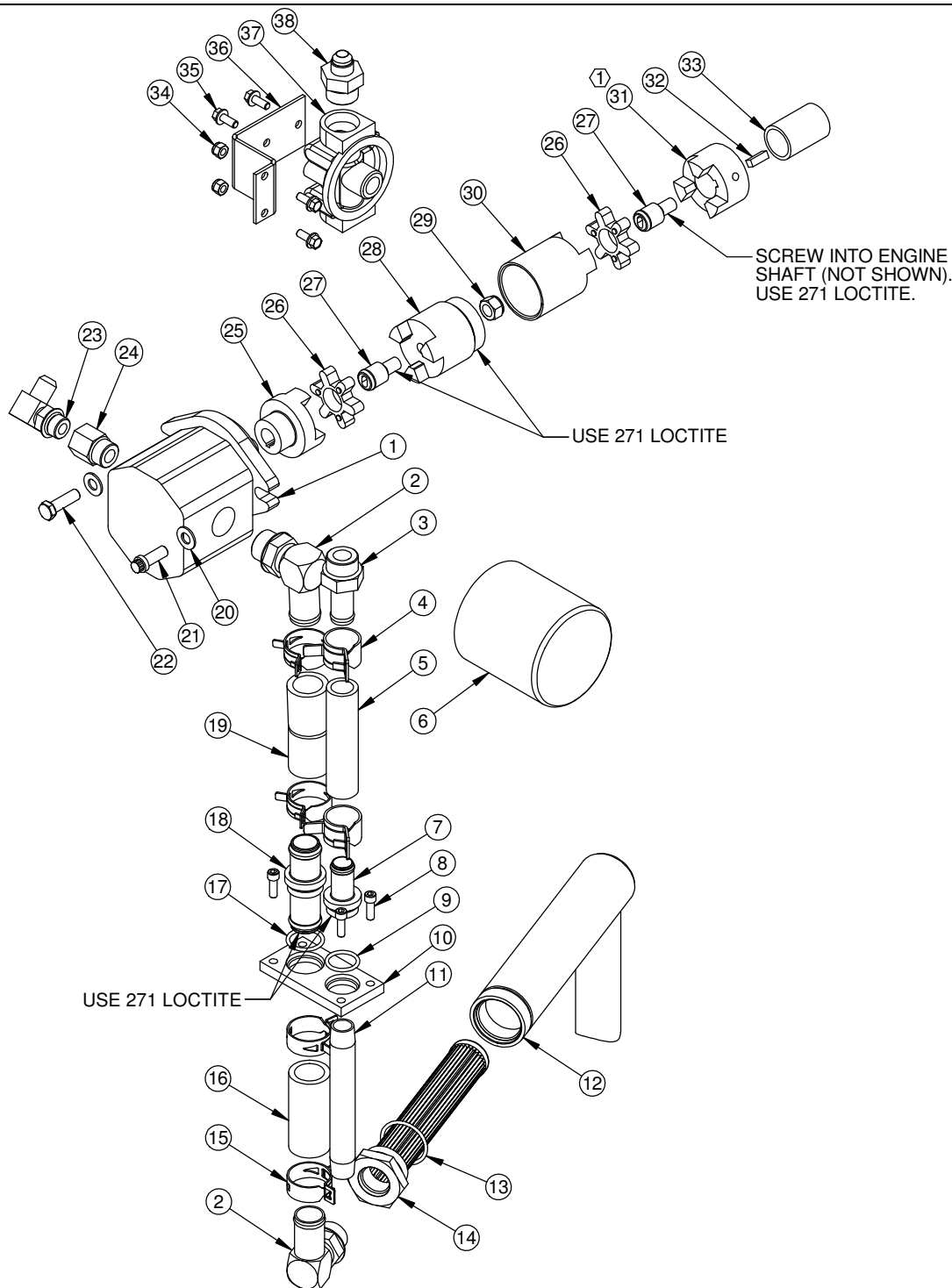
REF.	QTY.	PART NO.	DESCRIPTION
1	1	10233	AXLE, WHEEL
2	2	05199	KEY, 1/4 X 1/4 X 2-1/2 HARDENED
3	2	05044	GREASE ZERK, 1/4-28 UNF
4	8	03202	THRUST WASHER, 1.25 X 1.75 X .030
5	1	10289	AXLE TUBE, 1-5/8 LONG, FOR PIN
6	2	10290	ROLL PIN (SLOTTED SPRING), 3/16 X 1-1/8 ZINC
7	2	03085	BUSHING, CAST BRONZE, 1-1/4 X 1-3/8 X 1-1/4
8	1	10041	SPACER
9	1	10063	GEAR, WHEEL DRIVE, 36T X 1-1/4
10	1	05015	KEY, 5/16 X 5/16 X 1-1/4
11	1	10841	AXLE TUBE, 1-1/4 LONG, FOR PIN
12	2	05033	HAIR SPRING COTTER P2
13	2	02297	HOUSING, AXLE BEARING
14	2	03280	BALL BEARING, SKF 6206
15	4	03924	O-RING, 2-145, 2-3/4 OD X 3/32 SECTION
16	8	05297	HH CAP SCREW, 5/16-18 NC X 1-1-4 G5 ZINC
17	2	02298	HOUSING, AXLE SEALS
18	8	05068	WASHER, 5/16 SAE ZINC
19	8	05273	NUT, NYLOCK, 5/16-18 NC ZINC
20	2	05114	SEAL, AXLE
21	2	10148	THRUST WASHER, 1.200 X 1.643 X .040 ZINC
22	2	10147	SNAP RING, HO-165, 42mm INTERNAL ZINC
23	4	05606	SNAP RING, 1-1/8" EXTERNAL

① ALL WASHERS MAY NOT BE REQUIRED TO FILL END PLAY.



BARRETO

TITLE: AXLE,
FOR 1-1/8 FREE WHEEL HUBS
PRODUCT LINE: 916 TILLER DATE: 11/11/08
SCALE: 1:3.2 DWG# 00240 R2
SHEET 1 OF 1



REF.	QTY.	PART NO.	DESCRIPTION
1	1	04004-A	PUMP, HYDRAULIC
2	2	04530	FITTING, 4601-16-12
3	1	04219	FITTING, 4604-12-12
4	2	05008	CLAMP, 1" HOSE, CTB-29
5	1	10796	HOSE, RETURN TO TANK
6	1	03951	FILTER, HYDRAULIC OIL, WITH BY-PASS
7	1	10853	FITTING, 3/4 HOSE BIB, 1/2 NPT
8	4	05611	SH CAP SCREW, 1/4-20 NC X 3/4 G5 ZINC
9	1	03075	O-RING, 3-912, -12 FITTINGS
10	1	10851	MOUNTING PLATE, HOSE BIB FITTINGS
11	1	01020	PIPE NIPPLE, 1/2 X 6, SCH 40
12	1	10860	SUCTION TUBE, #20 O-RING
13	1	03293	O-RING, 3-920N90, -20 FITTINGS
14	1	10247	SUMP SCREEN #20 EXT #12 INT O-RING
15	4	05225	CLAMP, 1-1/2" HOSE, CTB-35 ST
16	1	10184	HOSE, SUMP SCREEN
17	1	10855	O-RING, 3-914, -14 FITTINGS
18	1	10852	FITTING, 1" HOSE BIBS
19	1	10854	HOSE, PUMP INTAKE
20	2	05101	WASHER, 3/8 SAE ZINC
21	1	05119	12 POINT HEAD SCREW, 3/8-16 NC X 1
22	1	05091	HH CAP SCREW, 3/8-16 NC X 1-1/4 G5 ZINC
23	1	04554	FITTING, 6801-8-8
24	1	04209	FITTING, 6410-10-8
25	1	10747	JAW COUPLER, PUMP. 5/8 BORE
26	2	03022	SPIDER, RUBBER
27	2	10738	PILOT
28	1	10737	COUPLER SHAFT, PUMP SIDE
29	1	05077	NUT, NYLOCK, 7/16-20 NF
30	1	10739	COUPLER SHAFT, ENGINE SIDE
31	1	03023	JAW COUPLER, 1" BORE ML095
32	1	05014	KEY, 1/4 X 1/4 X 3/4
33	1	10180	SPACER, ENGINE SHAFT
34	2	05096	NUT, NYLOCK, 1/4-20 NC
35	4	05069	WHIZ LOCK, 1/4-20 UNC X 5/8
36	1	10798	BRACKET, FILTERHEAD
37	1	04403	FILTER HEAD, #12 O-RING
38	1	10808	FITTING, 6400-8-12

NOTES:

- ① COMES WITH SET SCREW. REPLACEMENT SET SCREW IS 5/16 X 5/16, PART NO. 05127.

BARRETO

TITLE: PUMP

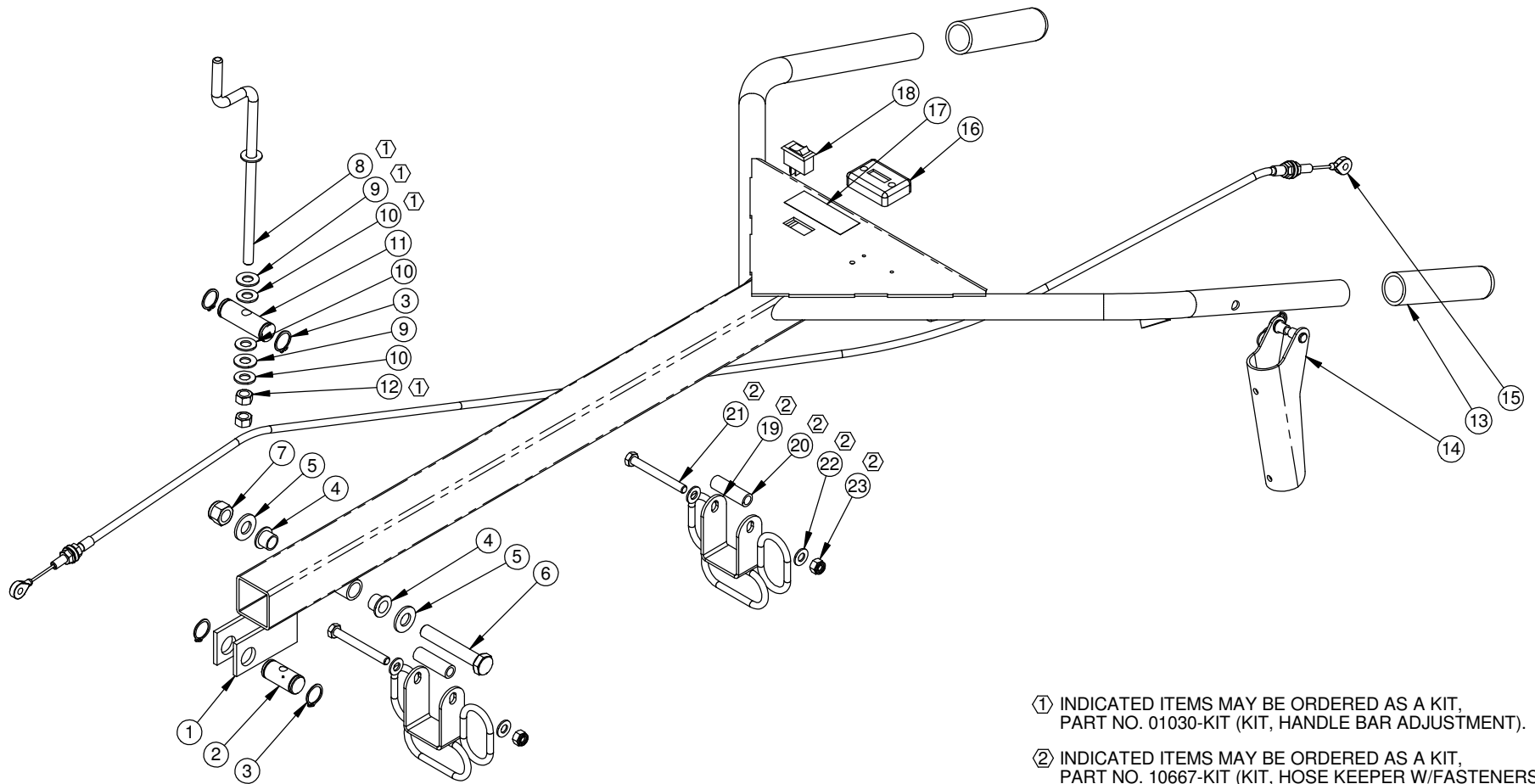
PRODUCT LINE: 916

DATE: 2/15/06

SCALE: 1:5.6
SHEET 1 OF 1

DWG# 00241 R3

REF.	QTY.	PART NO.	DESCRIPTION	REF.	QTY.	PART NO.	DESCRIPTION
1	1	01017	HANDLE BARS	13	2	03032-01	GRIP, 1 X 5 (P/N 03032 IS A PAIR)
2	1	02027-L	HANDLE BAR ADJUSTER PIN, LOWER	14	1	03029	LEVER ASSEMBLY (COMPLETE)
3	4	05216	SNAP RING, 3/4 EXTERNAL	15	1	10057	CABLE, ACTUATOR
4	2	03501	BUSHING, IGUS MFI-0810-08	16	1	03009	HOUR METER - COMPLETE KIT
5	2	05102	WASHER, 1/2 SAE ZINC HARDENED	17	1	03341-07	DECAL, "IGNITION OFF/ON"
6	1	05093	HH CAP SCREW, 1/2-13 NC X 3 G5 ZINC	18	1	06420	ROCKER SWITCH, IGNITION OFF/ON
7	1	05098	NUT, NYLOCK, 1/2-13 NC	19	2	10667	HOSE KEEPER
8	1	01030	CRANK, HANDLE BAR ADJUSTMENT	20	2	10668	SPACER, HOSE KEEPER
9	2	05058	WASHER, 3/8 NYLON	21	2	05065	HH CAP SCREW, 5/16-18 NC X 2-3/4 G5 ZINC
10	3	05103	WASHER, 3/8 A325 HARDENED ZINC	22	4	05068	WASHER, 5/16 SAE ZINC
11	1	02027-U	PIN, HANDLE BAR ADJUSTMENT, UPPER	23	2	05273	NUT, NYLOCK, 5/16-18 NC
12	2	05269	NUT, 3/8-16 NC GRB ZINC				



- ① INDICATED ITEMS MAY BE ORDERED AS A KIT,
PART NO. 01030-KIT (KIT, HANDLE BAR ADJUSTMENT).
- ② INDICATED ITEMS MAY BE ORDERED AS A KIT,
PART NO. 10667-KIT (KIT, HOSE KEEPER W/FASTENERS).

BARRETO

TITLE: HANDLE BARS & CRANK

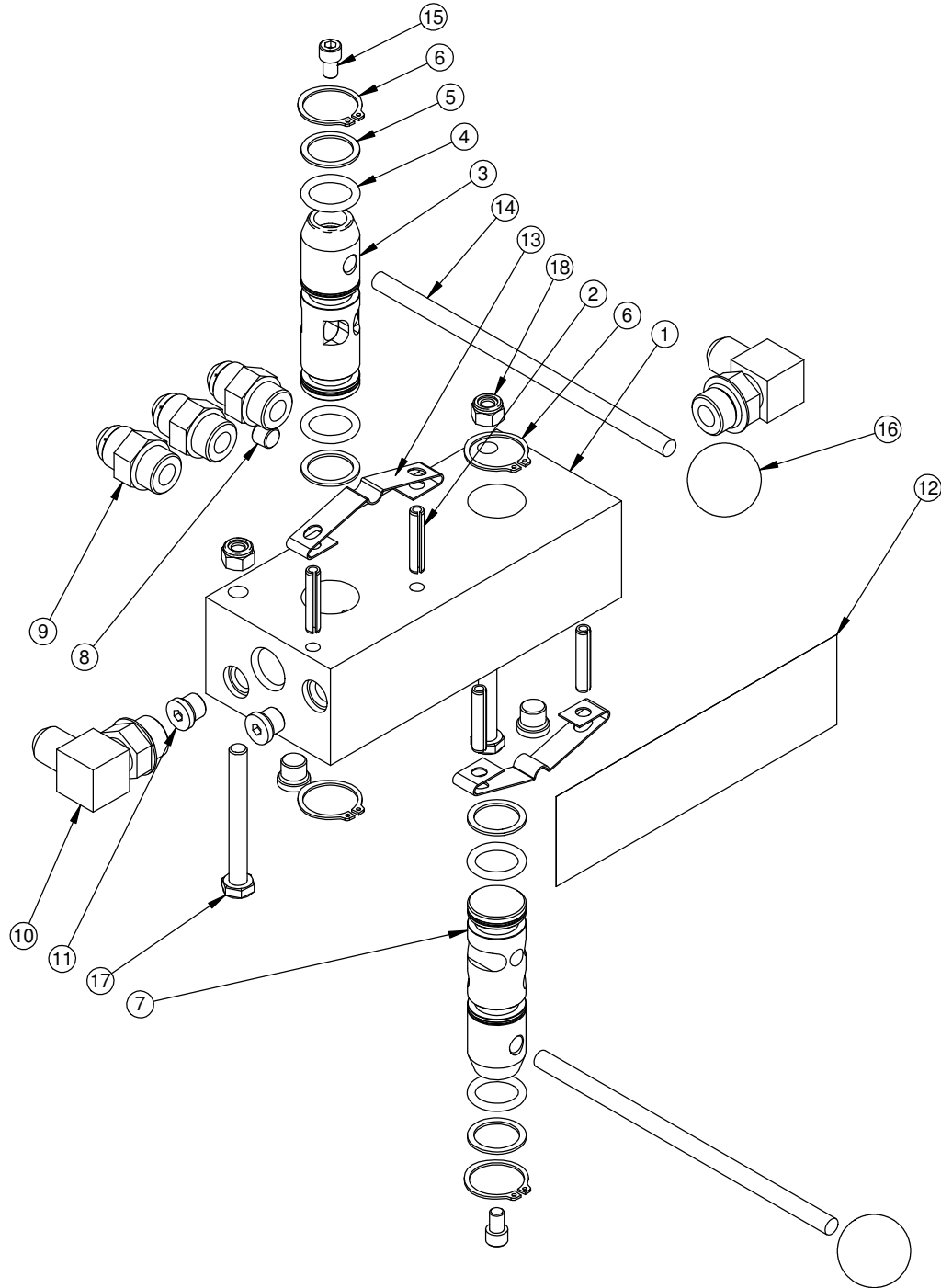
PRODUCT LINE: 916

1/16/07

SCALE: 1:6.2
SHEET 1 OF 1

DWG# 00250 R1

REF.	QTY.	PART NO.	DESCRIPTION
1	1	04010	CONTROL VALVE BODY (ORDER 04010-K)
2	4	05200	ROLL PIN (SLOTTED SPRING), 1/4 X 1-1/4 ZINC
3	1	04015-D	VALVE SPOOL, TINES (ORDER 04010-K)
4	4	03002	O-RING, 2-210, 1" OD X 1/8 SECTION
5	4	03025	BACK-UP RING, 1" TEFLON
6	4	05010	SNAP RING, 1" EXTERNAL
7	1	04015-C	VALVE SPOOL, WHEEL DRIVE (ORDER 04010-K)
8	1	05023	PIPE PLUG, 1/8"
9	3	04520	FITTING, 6400-8-8
10	2	04554	FITTING, 6801-8-8
11	4	03300	FITTING, 6409-4 PLUG
12	1	03040	DECAL, CONTROL VALVE
13	2	03027	DETENT SPRING
14	2	02017	HANDLE, 5/16 X 7
15	2	05573	SH CAP SCREW, 1/4-20 NC X 3/8 ZINC
16	2	03026	KNOB, 5/16-NC
17	2	05065	HH CAP SCREW, 5/16-18 NC X 2-3/4 G5 ZINC
18	2	05273	NUT, NYLOCK, 5/16-18 NC ZINC

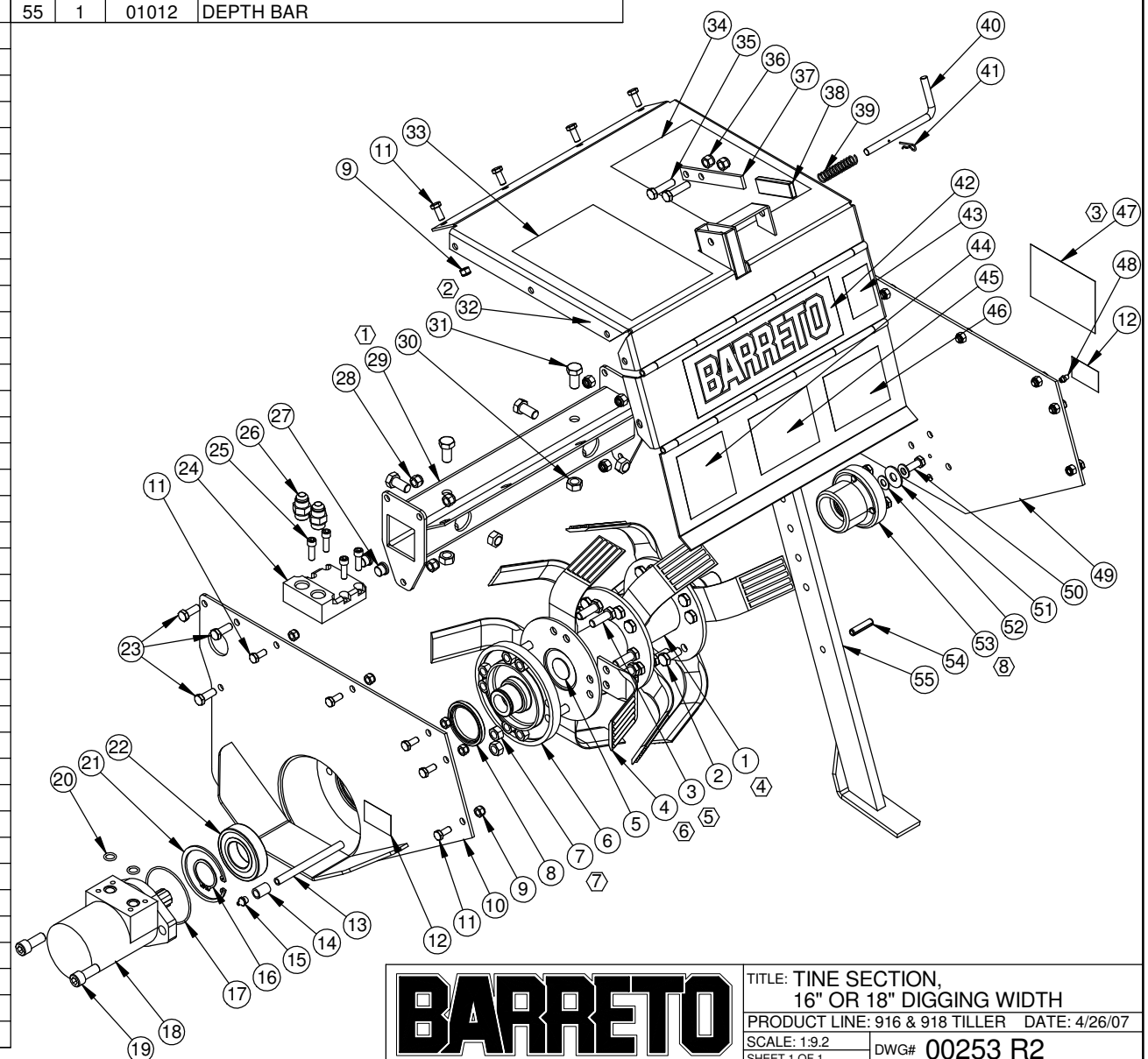


BARRETO

TITLE: CONTROL VALVE
 PRODUCT LINE: 916 DATE: 4/26/07
 SCALE: 1:3 SHEET 1 OF 1 DWG# 00251 R1

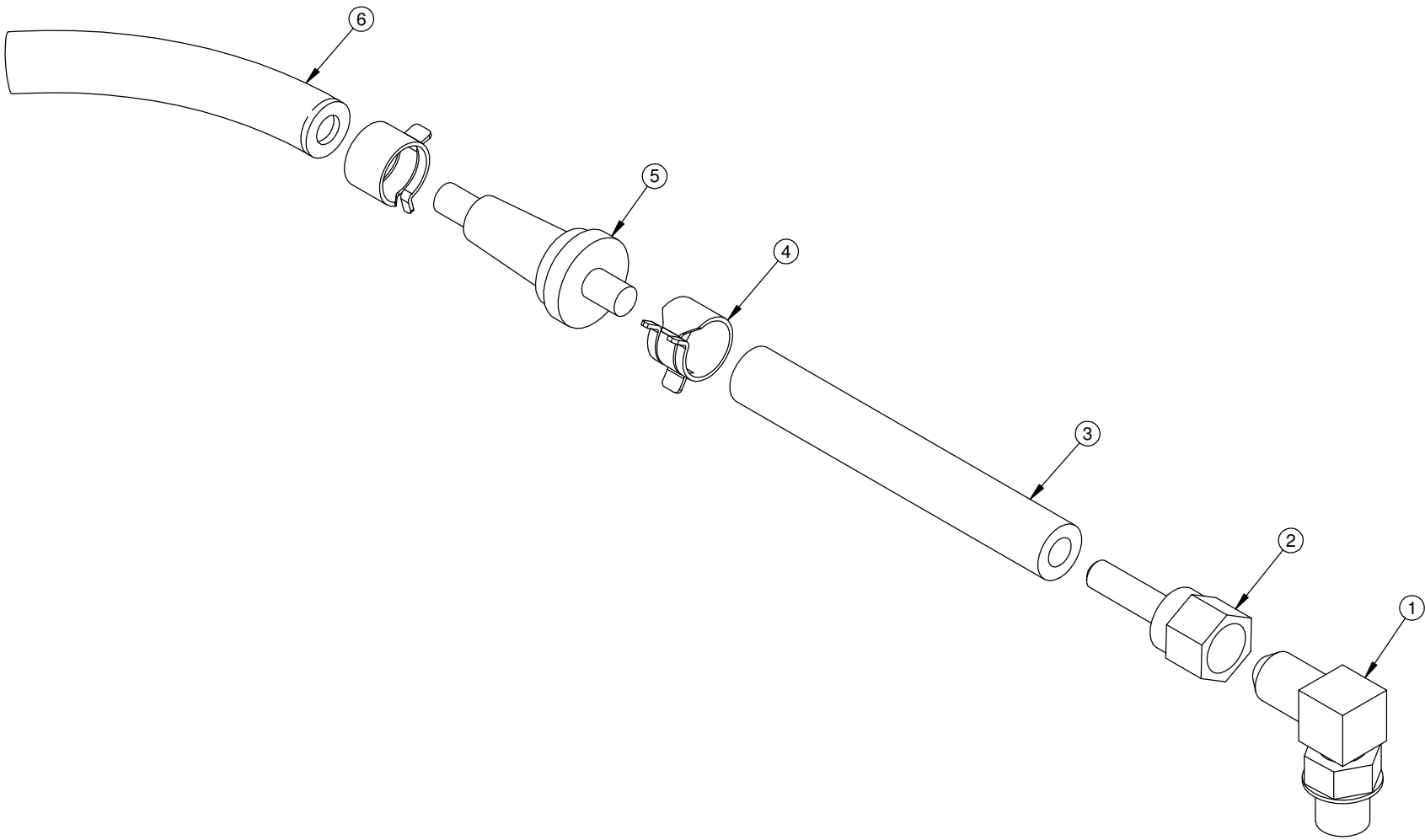
REF.	QTY.	PART NO.	DESCRIPTION	REF.	QTY.	PART NO.	DESCRIPTION
1	1	11279	TINE SHAFT	48	1	05044	GREASE ZERK, 1/4-28 UNF
2	16	05061	HH CAP SCREW, 7/16-20 NF X 1 G8 ZINC	49	1	10146	SIDE PLATE, RH TINE SECTION
3	8	05063	HH CAP SCREW, 7/16-20 NF X 1-1/4 G8 ZINC	50	1	05059	HH CAP SCREW, 3/8-16 NC X 1 G5 ZINC
4	12	03196	TINE, REVERSIBLE	51	1	05083	WASHER, 7/16 USS ZINC
5	1	03928	SOFT PLUG, 1-1/4 DIA	52	2	05103	WASHER, 3/8 A325 HARDENED ZINC
6	1	11278	TINE MOTOR HUB, SPLINED	53	1	10144	OUTBOARD BEARING ASSEMBLY
7	24	05074	NUT, 7/16-20 NF G8 ZINC	54	1	05006	ROLL PIN (SLOTTED SPRING), 3/8 X 1-1/2 ZINC
8	1	03930	SEAL, CR 19763	55	1	01012	DEPTH BAR
9	14	05071	NUT, NYLOCK, 5/16-24 NF ZINC				
10	1	01067	TINE MOTOR MOUNT & LH SIDE PLATE				
11	14	05052	HH CAP SCREW, 5/16-24 NF X 3/4 G5 ZINC				
12	2	03040-04	DECAL, "GREASE DAILY"				
13	1	05282	PIPE NIPPLE, 1/8" X 5 LONG				
14	1	05204	PIPE COUPLER, 1/8"				
15	1	05256	GREASE ZERK, 1/8 NPT				
16	1	05607	SNAP RING, SH-156, 1-9/16" EXTERNAL				
17	1	03001	O-RING, 2-152, 3-7/16 OD X 3/32 SECTION				
18	1	04605	TINE MOTOR				
19	2	05585	SH CAP SCREW, 1/2-13 NC X 1-1/4 G5 ZINC				
20	2	03926	O-RING, 2-112N90, 11/16 OD X 3/32 SECTION				
21	1	05603	SNAP RING, HO-315, 3-5/32 INTERNAL				
22	1	03943	BALL BEARING, SKF 6208				
23	6	05056	HH CAP SCREW, 3/8-24 NF X 1 G5 ZINC				
24	1	02065	MANIFOLD, TINE MOTOR				
25	4	05572	SH CAP SCREW, 5/16-18 NC X 1 G5 ZINC				
26	2	04520	FITTING, 6400-8-8				
27	2	03302	FITTING, 6409-6 PLUG				
28	6	05072	NUT, NYLOCK, 3/8-24 NF ZINC				
29	1	10702	TORQUE TUBE, 17" BOLT ON				
30	4	05046	NUT, GRIPCO, 1/2-13 NC G5 ZINC				
31	4	05067	HH CAP SCREW, 1/2-13 NC X 1 G5 ZINC				
32	1	10067	TINE COVER, 916				
33	1	03341-22	DECAL, "TILLER OPERATING INSTRUCTIONS"				
34	1	03341-23	DECAL, "TILLER SAFETY INSTRUCTIONS"				
35	2	05092	HH CAP SCREW, 3/8-16 NC X 1-1/2 G5 ZINC				
36	2	05073	NUT, NYLOCK, 3/8-16 NC ZINC				
37	1	01099	HANDLE, DEPTH BAR				
38	1	03018	GRIP, 1/8 X 3/4 X 2-3/4				
39	1	03080	SPRING				
40	1	01018	PIN, DEPTH BAR				
41	1	03065	HAIR SPRING COTTER #4				
42	1	03040-02	DECAL, "BARRETO", 3-1/2 X 11-1/4				
43	1	03040-01	DECAL, "MADE IN USA"				
44	1	03040-08	DECAL, "WARNING" (YELLOW)				
45	1	03040-03	DECAL, "CAUTION" (BLACK & WHITE)				
46	1	03040-07	DECAL, "CAUTION" (YELLOW)				
47	1	04340	DECAL, "916"				

- ① FOR 918, USE PART NO. 10706 (TORQUE TUBE, 19")
- ② FOR 918, USE PART NO. 01066 (TINE COVER, 918)
- ③ FOR 918, USE PART NO. 03040-51 (DECAL, "918")
- ④ FOR 918, USE PART NO. 11281 (TINE SHAFT, 918)
- ⑤ PART NO. 05063-24 IS A SET OF 24 PIECES.
- ⑥ PART NO. 03196-12 IS A SET OF 12 PIECES.
- ⑦ PART NO. 05074-24 IS A SET OF 24 PIECES.
- ⑧ REFERENCE DWG. 10144 FOR INDIVIDUAL PARTS.



TITLE: TINE SECTION,
16" OR 18" DIGGING WIDTH
PRODUCT LINE: 916 & 918 TILLER DATE: 4/26/07
SCALE: 1:9.2 SHEET 1 OF 1 DWG# 00253 R2

REF.	QTY.	PART NO.	DESCRIPTION
1	1	04555	FITTING, 6801-4-4
2	1	04214	FITTING, JS-4-4, HOSE BARB 1/4 X 1/4 SWIVEL
3	1	11348	HOSE, 1/4 INCH GASOLINE, 4L5, 3-1/2" LONG
4	2	03062-06	CLAMP, 1/4" FUEL LINE
5	1	04516	BREATHER, FILTER SNAPPER 1435
6	1	11347	HOSE, 1/4 INCH GASOLINE, 4L5, 3-1/4" LONG



BARRETO	TITLE: BREATHER HOSE ASSEMBLY	
	PRODUCT LINE: 916	DATE: 4/26/07
	SCALE: 1:1.3	DWG# 10189 R2
	SHEET 1 OF 1	

HOSES, 916 TILLER

QTY.	PART NO.	DESCRIPTION
1	10204	HOSE, PUMP TO ACTUATOR TEE FITTING
1	10205	HOSE, CONTROL VALVE TO ACTUATOR TEE FITTING
1	10206	HOSE, CONTROL VALVE TO OIL FILTER MOUNT
1	10207	HOSE, CONTROL VALVE TO WHEEL DRIVE MOTOR FRONT PORT
1	10208	HOSE, CONTROL VALVE TO WHEEL DRIVE MOTOR REAR PORT
1	10209	HOSE, CONTROL VALVE TO TINE MOTOR FRONT PORT
1	10210	HOSE, CONTROL VALVE TO TINE MOTOR REAR PORT